



Spare parts catalogue

TRANSMISSION TLB2 4WD

REF: 402155

- 1.1 Oil Pump**

- 2.1 Transmission Housing**

- 3.1 Oil Filters and Plugs**

- 4.1 Input and PTO transmission Shaft (axe A)**

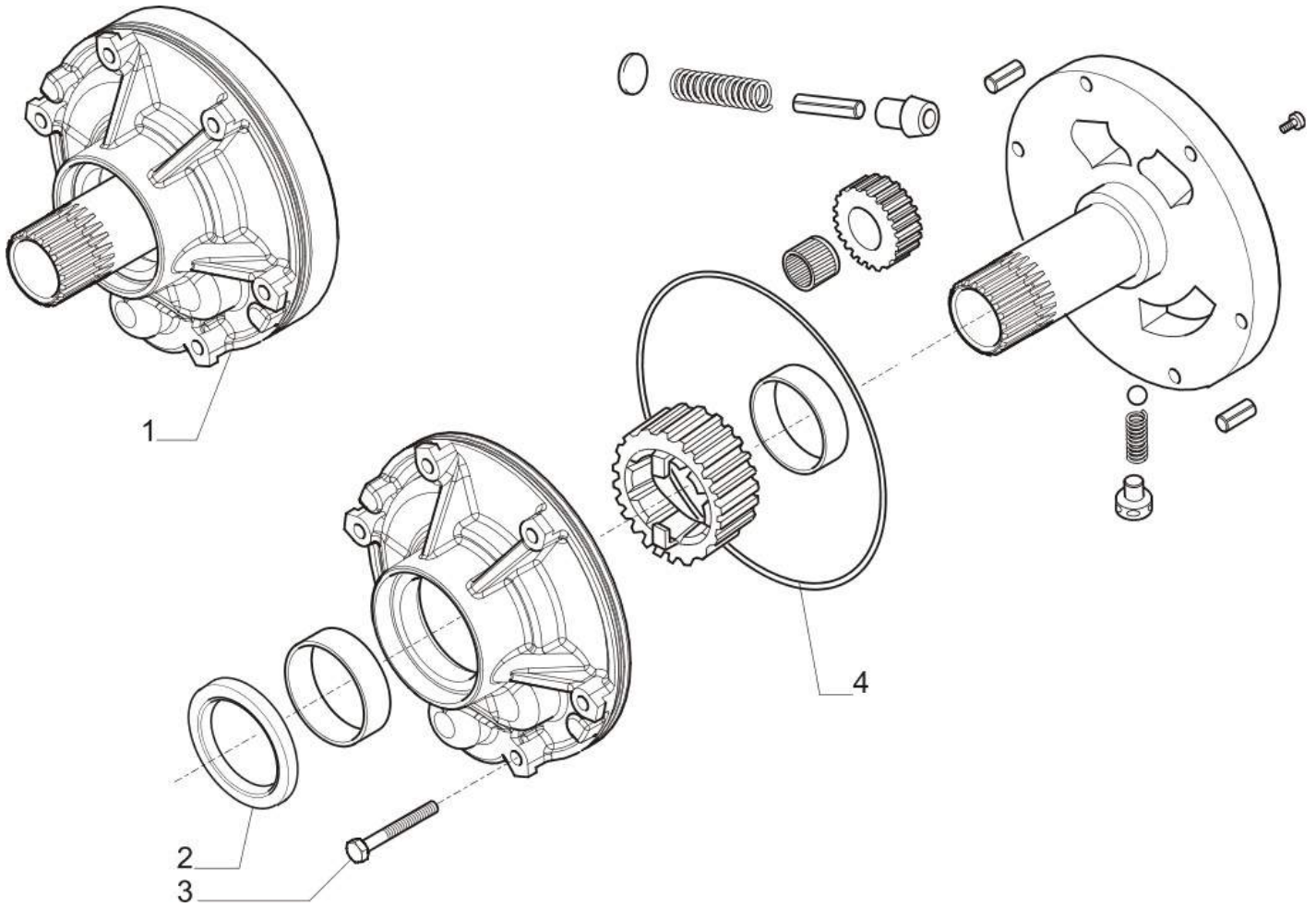
- 5.1 Reverse Shaft (axe D) and prymary shaft (axe B)**

- 6.1 Secondary Shaft (axe C)**

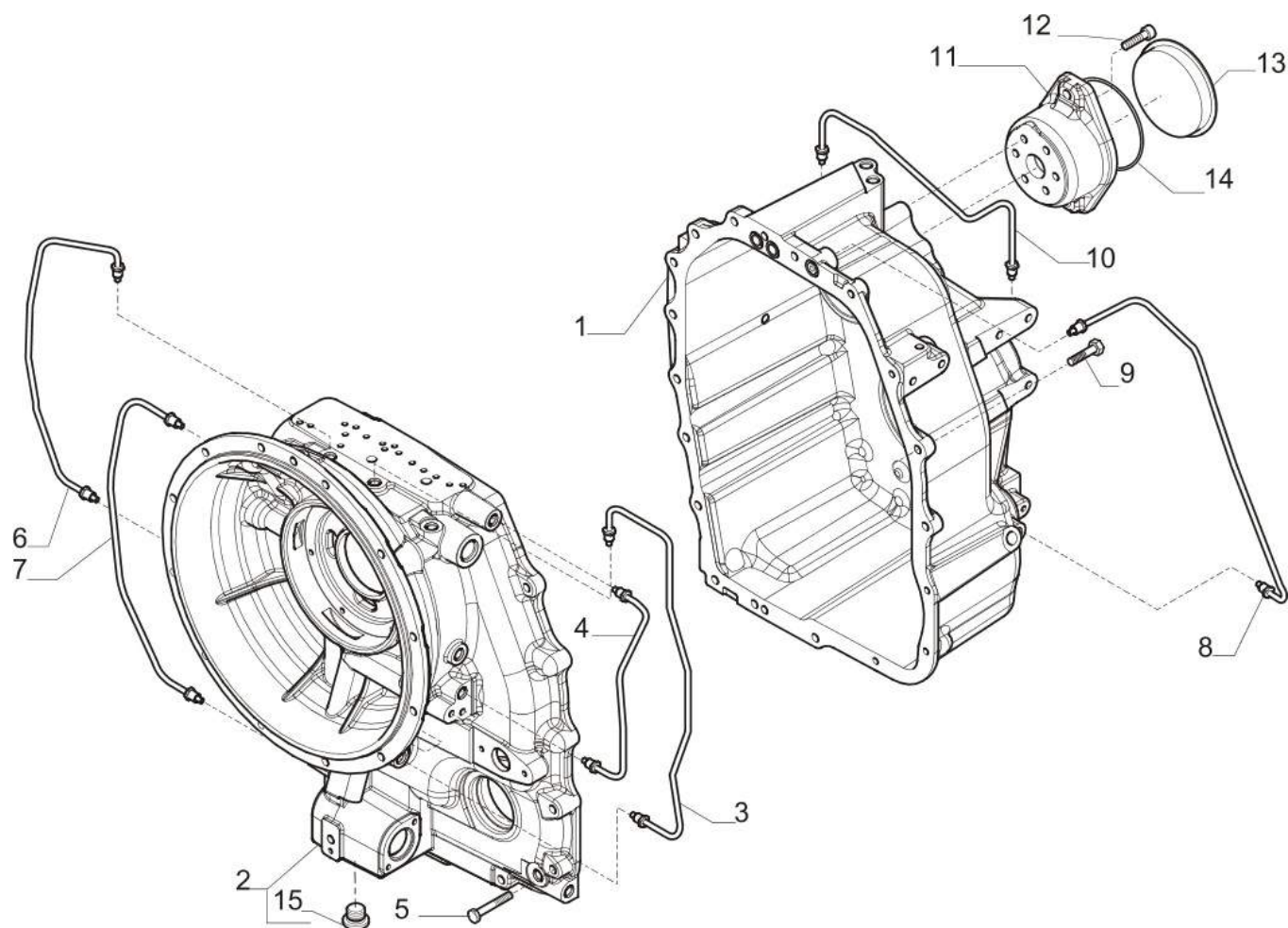
- 7.1 Output Shaft (axe E)**

- 8.1 Control Valve**

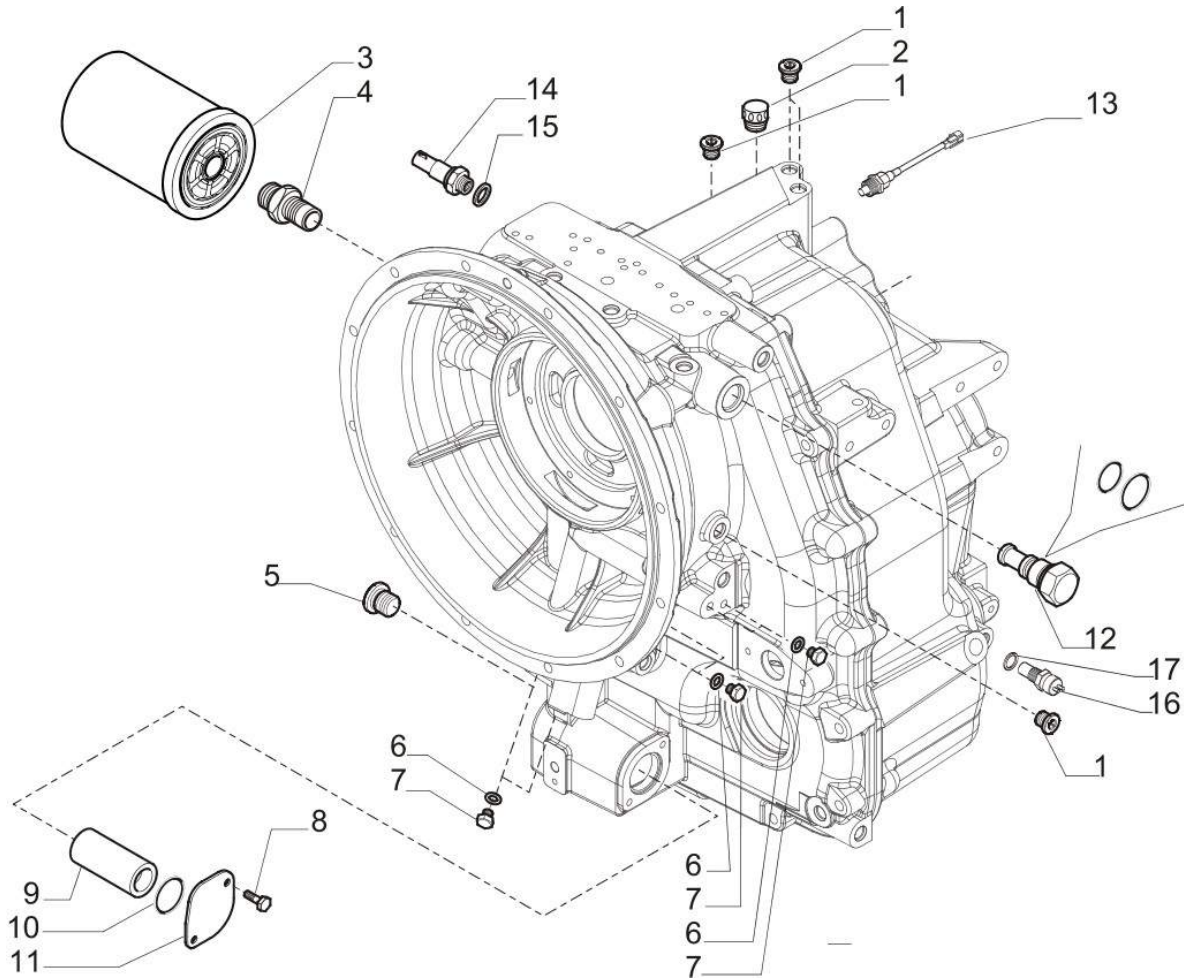
- 9.1 Torque Converter**



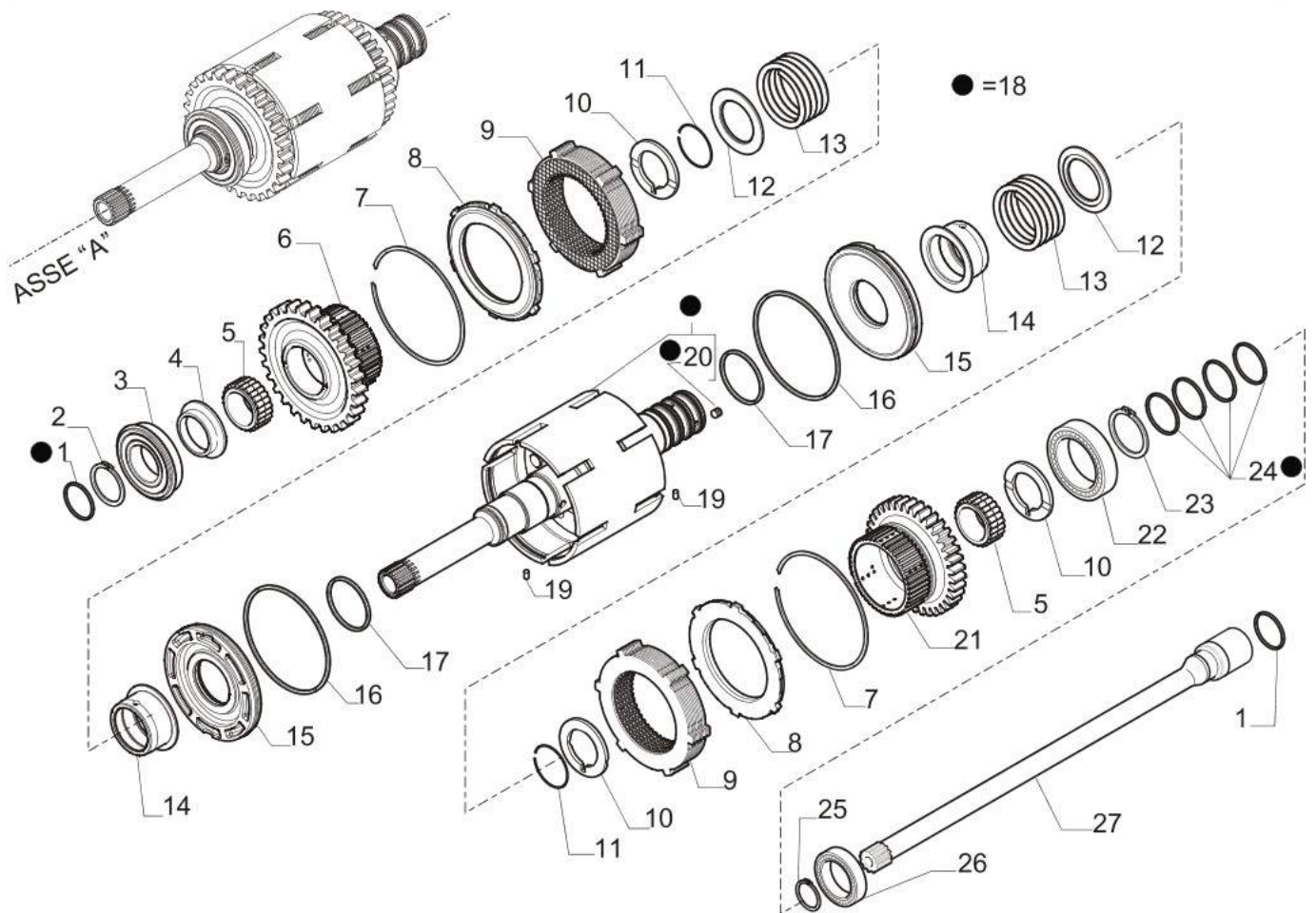
Pos	Ref	Qty	Description	Kit	Note
1	146305	1	PUMP ASSEMBLY TRASMISSION PTO		
2	133566	1	SEAL RING BAVISLSFRDX7 57.15X76.2X9.5/11		
3	20803	6	Screw M8x60		
4	28561	1	O.ring		



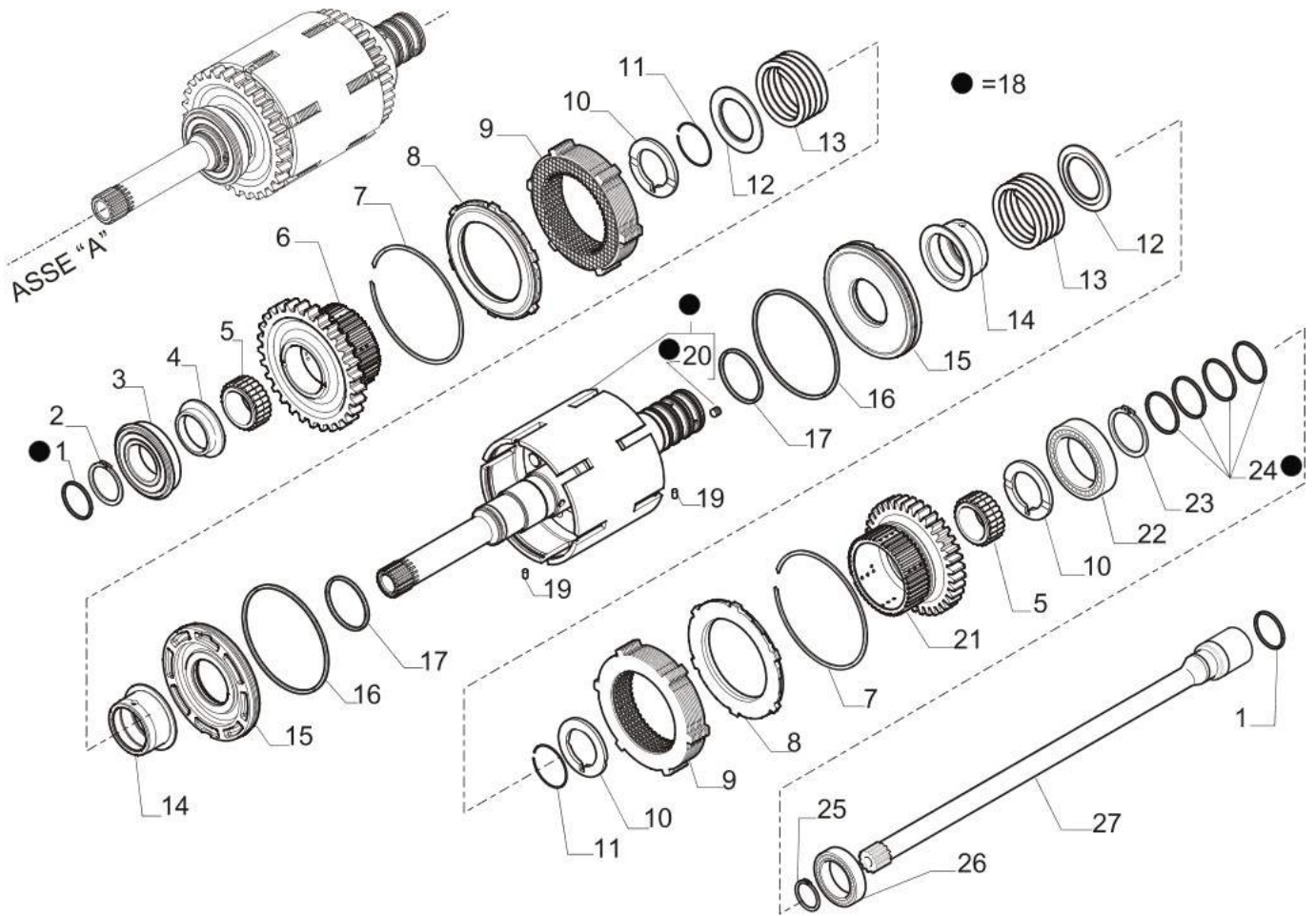
Pos	Ref	Qty	Description	Kit	Note
1	147489	1	GEARBOX HALF HOUSING Rear (010413) TLB2		
2	68249	1	Front half-housing kit		
3	149450	1	OIL PIPE		
4	149449	1	TUBO 2^ MARCIA		
5	20864	5	Bolt M10x55		
6	149452	1	TUBO 1^ MARCIA		
7	149451	1	TUBO 3^ MARCIA		
8	149448	1	TUBO 4WD		
9	20854	13	Bolt M10x35		
10	149447	1	OIL LUB PIPE D		
11	405059	1	MOTOR FLANGE SAE C (402153)		
12	21409	6	Bolt M10x25		
13	145717	1	TAPPO PLASTICA D127.5X2.5EMESSO DIS.ORIG		
14	28571	1	O-RING 3500 2-159 126.67x2.62		
15	21582	1	Plug		



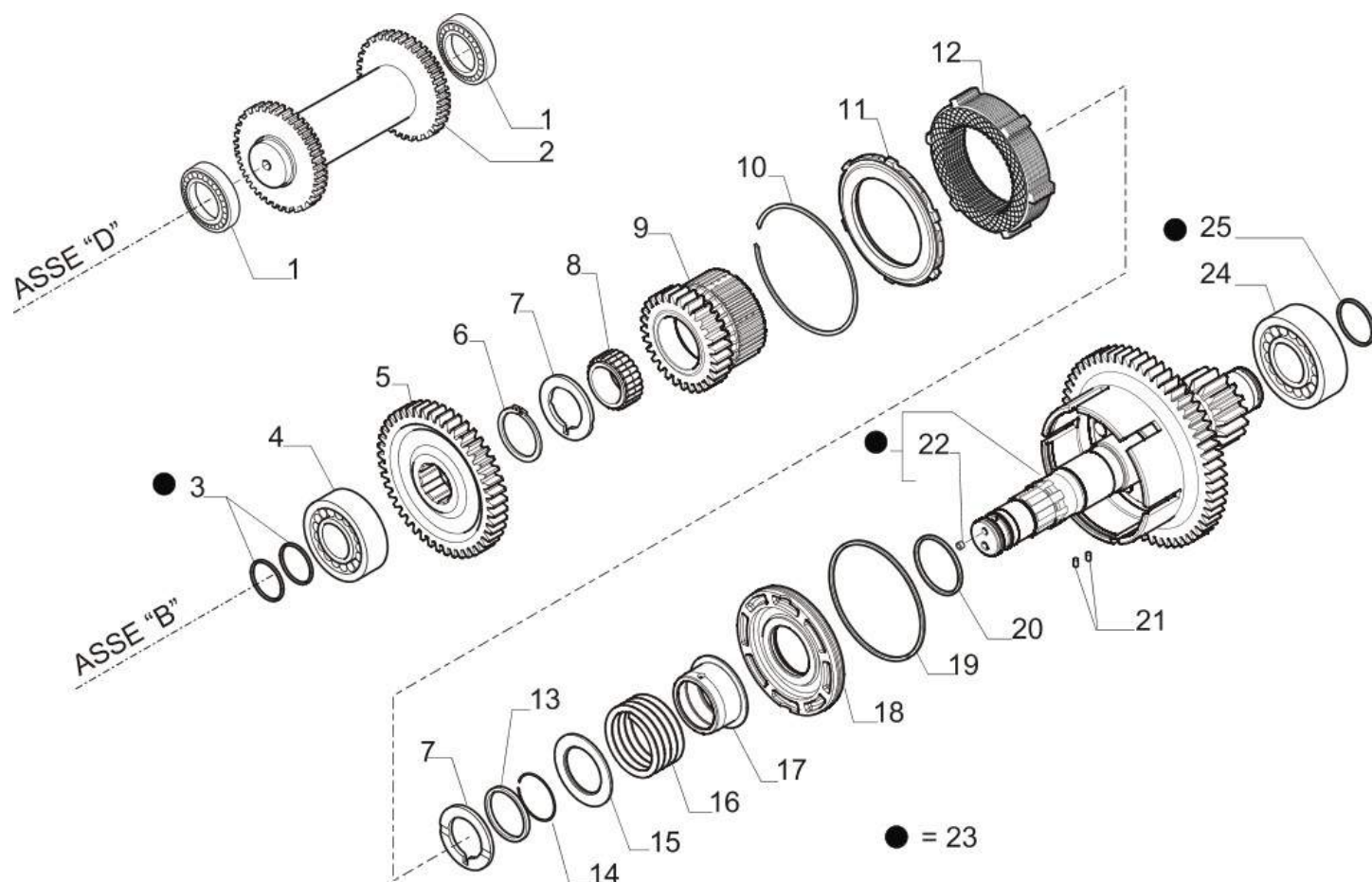
Pos	Ref	Qty	Description	Kit	Note
1	21570	4	Plug		
2	30368	1	BREATHER 54101 SFP.30		
3	40701	1	Oil filter		
4	131217	1	OIL FILTER CONNECTOR		
5	125280	1	MAGNETIC PLUG M30X2		
6	23260	6	Copper washer 10x14x1.5		
7	21322	6	PLUG 1/8 GAS A-301010		
8	20777	2	Screw M8X18		
9	135859	1	FILTER Oil		
10	28131	1	O.ring		
11	381413	1	FILTER COVER Compl.		
12	149284	1	VALVE REGOLATRICE DI PRESSIONE EP12 S350		
13	373953	1	TEMPERATURE SWITCH 105°		
14	138643	1	SENDER		
15	23287	1	Washer		
16	641928	1	SENSORE GIRI		
17	23268	1	SEAL WASHER DIN 7603 18X24X1.5 CU		



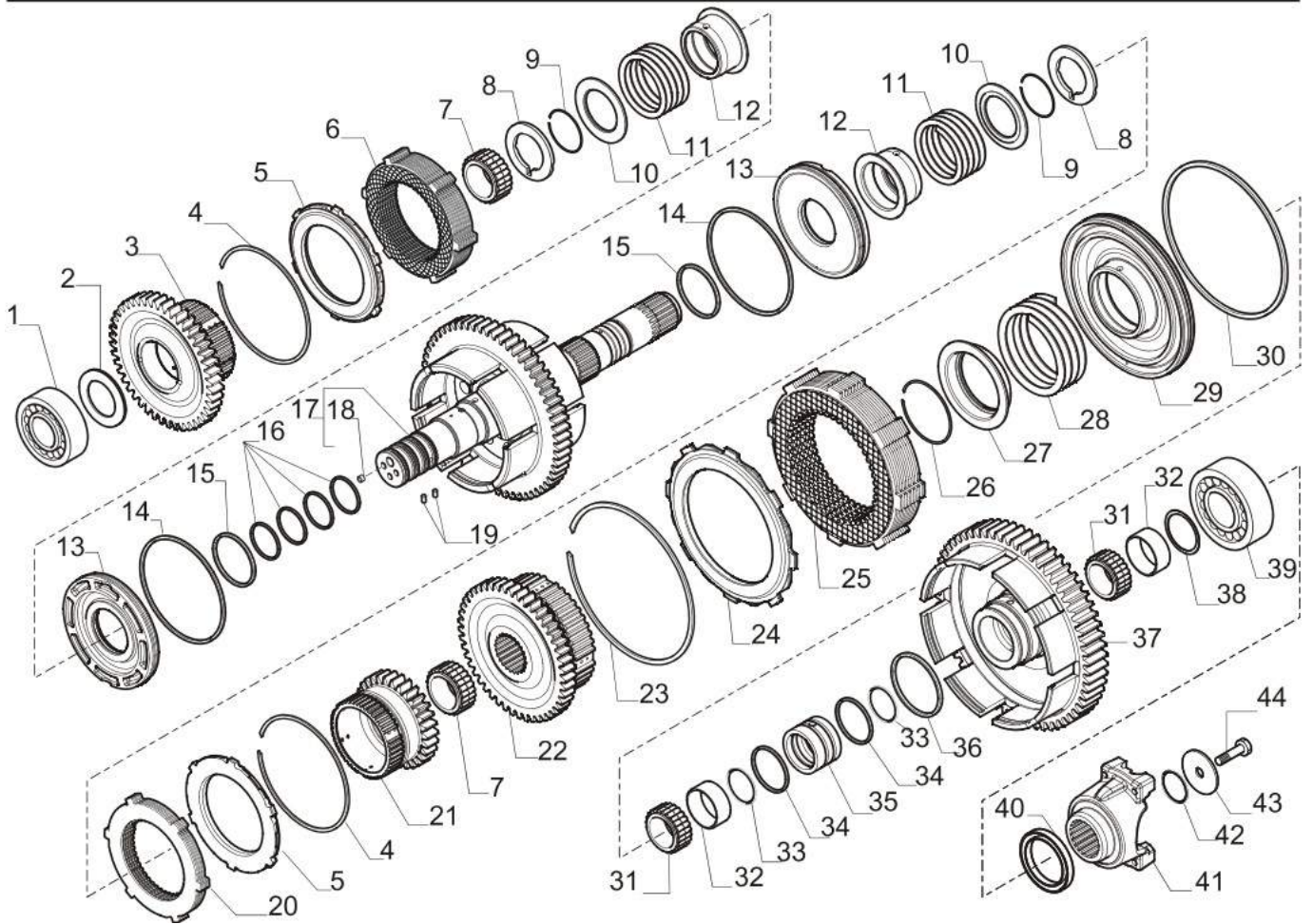
Pos	Ref	Qty	Description	Kit	Note
1	139197	1	ROTARY SEAL RING D45.13		
2	24800	1	Snap ring		
3	26160	1	Bearing		
4	139011	1	WASHER 45X68X10.5		
5	27956	2	Needle bearing bush		
6	148574	1	GEAR Z37 M4 REV		
7	25067	2	CIRCLIP SB - 143		
8	135020	2	BACKING PLATE		
9	149306	2	CLUTCH PACK FWD/RVS		
10	138986	3	WASHER 50.1X68X4		
11	25031	2	Lockring		
12	133912	2	SPRING LOCK		
13	139351	2	COMPRESSION SPRING 7-78-85.5		
14	138984	2	CLUTCH SLEEVE		
15	138983	2	CLUTCH PISTON		
16	139199	2	AXIAL SEAL RING D138+OR		
17	139198	2	AXIAL SEAL RING D55+OR		
18	68354	1	SHAFT KIT 147454 + RIVETT		
19	24321	2	Split pin D3x8		
20	23835	4	Rivet		
21	148573	1	GEAR Z37 M3.5 FWD / INGRANAGGIO		
22	25811	1	Bearing		
23	24805	1	Snap ring		
24	142858	4	ROTARY SEAL RING D50		
25	24785	1	CIRCLIP DIN 471 30		



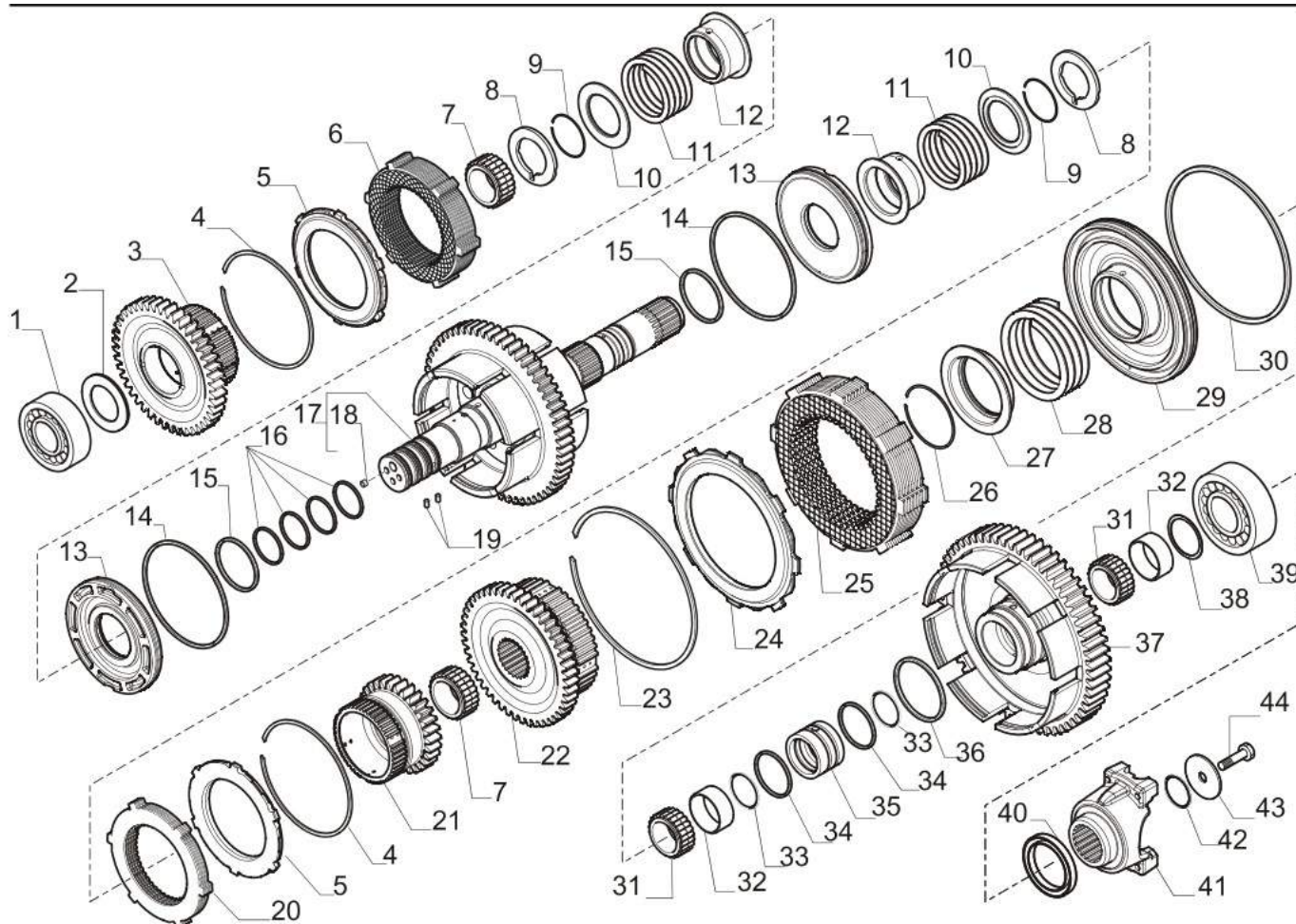
Pos	Ref	Qty	Description	Kit	Note
26	25735	1	Bearing		
27	138383	1	TRANSMISSION SHAFT L589 PTO		



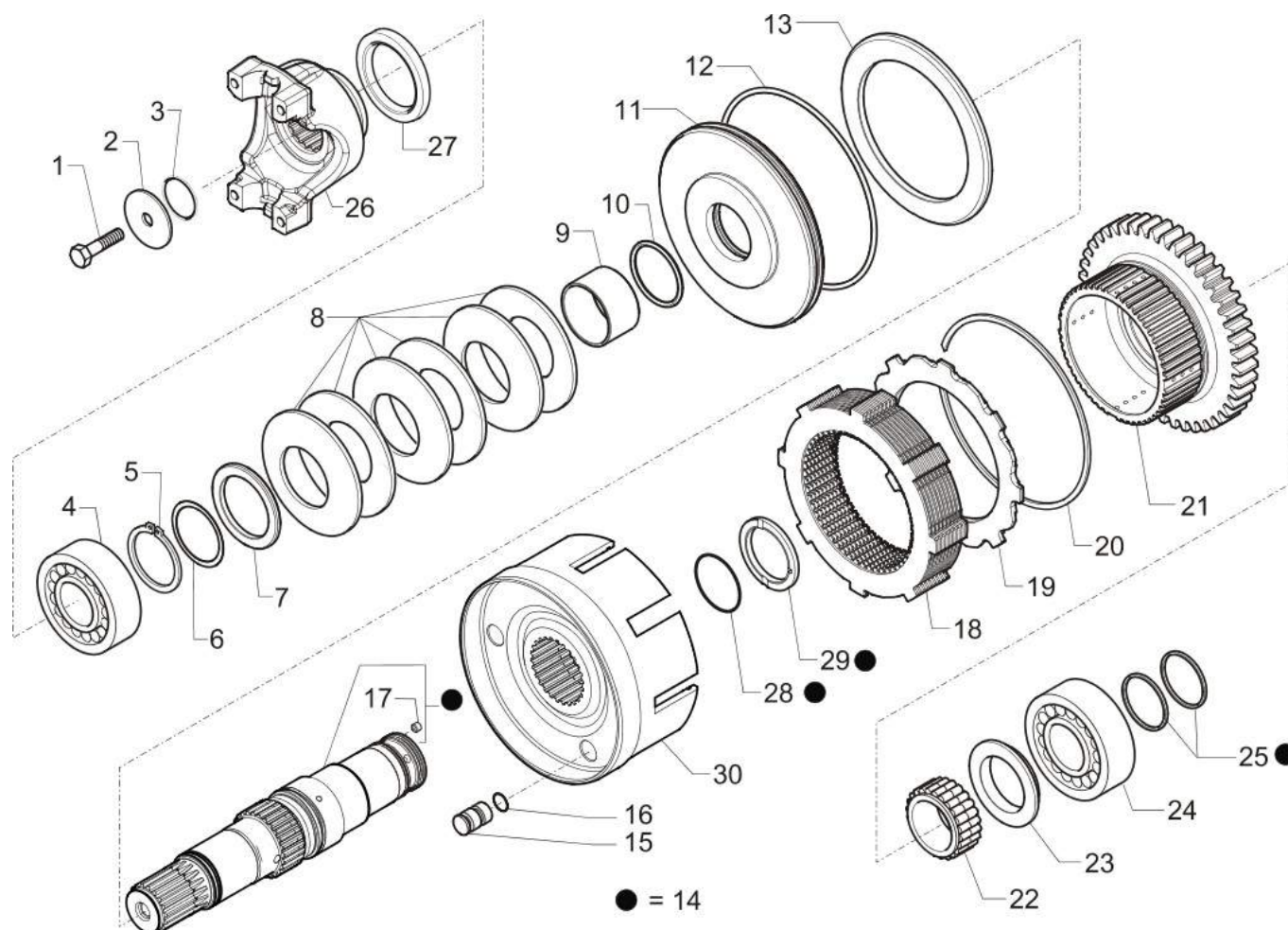
Pos	Ref	Qty	Description	Kit	Note
1	25808	2	Bearing		
2	137647	1	COUNTERSHAFT Z27/27 M4		
3	148565	2	ROTARY SEAL RING D40		
4	25859	1	Bearing		
5	133174	1	GEAR Z45 M3.5		
6	24805	1	Snap ring		
7	138986	2	WASHER 50.1X68X4		
8	27956	1	Needle bearing bush		
9	148635	1	GEAR Z28 M3.5		
10	25067	1	CIRCLIP SB - 143		
11	135020	1	BACKING PLATE		
12	149303	1	CLUTCH PACK 2 [^] /3 [^] V. TLB2		
13	148636	1	FIFTH WHEEL 50X58X5.2		
14	25031	1	Lockring		
15	133912	1	SPRING LOCK		
16	139351	1	COMPRESSION SPRING 7-78-85.5		
17	138984	1	CLUTCH SLEEVE		
18	138983	1	CLUTCH PISTON		
19	139199	1	AXIAL SEAL RING D138+OR		
20	139198	1	AXIAL SEAL RING D55+OR		
21	24321	2	Split pin D3x8		
22	23834	1	Rivet		
23	68392	1	Shaft Z58/17(assy)		
24	25860	1	BALL BEARING 6309 100X45X25		
25	139197	1	ROTARY SEAL RING D45.13		



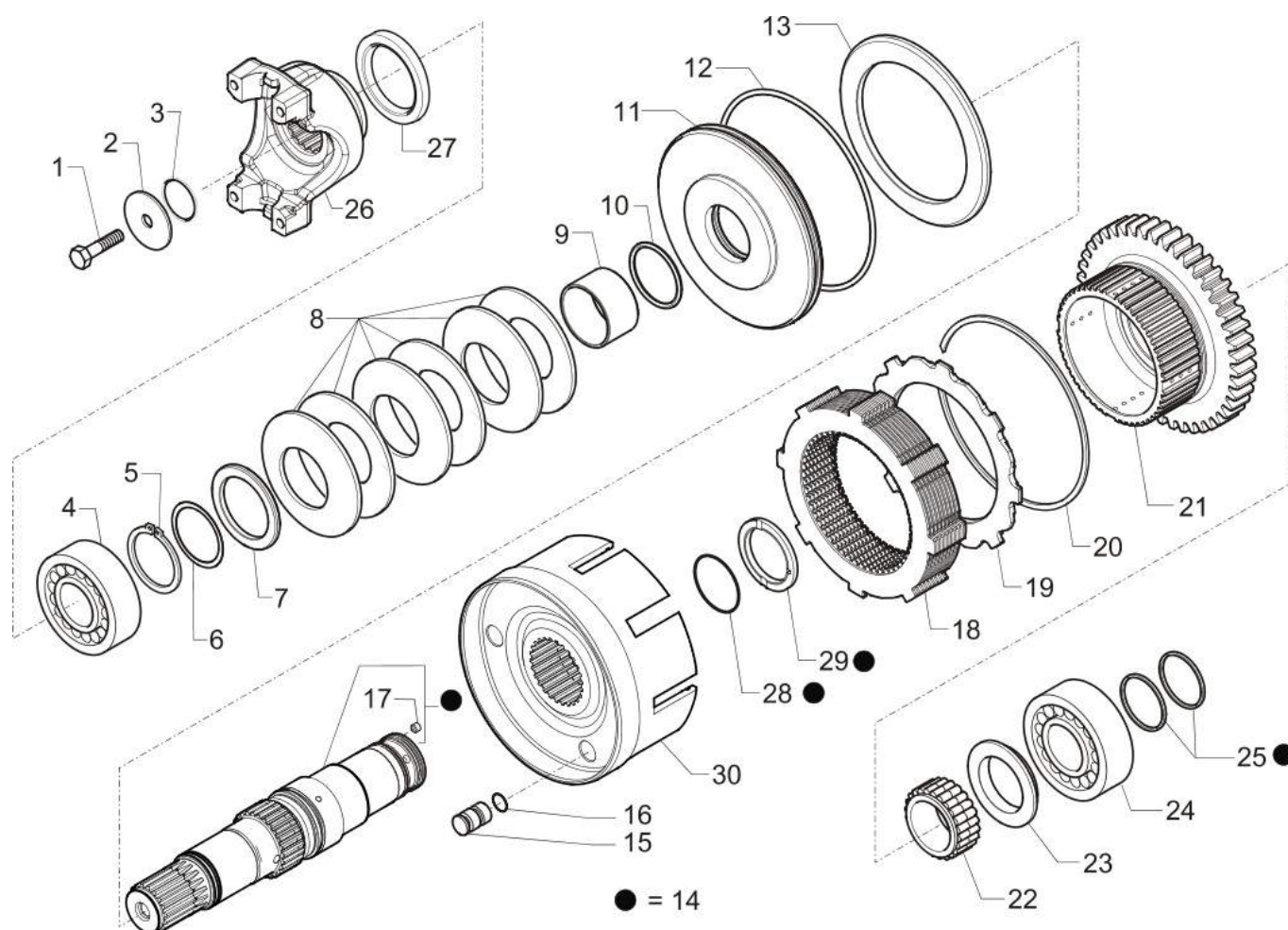
Pos	Ref	Qty	Description	Kit	Note
1	25829	1	Bearing		
2	138985	1	WASHER 45.1X68X4		
3	148642	1	GEAR Z44 M3.5 3 [^] V.		
4	25067	2	CIRCLIP SB - 143		
5	135020	2	BACKING PLATE		
6	149303	1	CLUTCH PACK 2 [^] /3 [^] V. TLB2		
7	27956	2	Needle bearing bush		
8	138986	2	WASHER 50.1X68X4		
9	25031	2	Lockring		
10	133912	2	SPRING LOCK		
11	139351	2	COMPRESSION SPRING 7-78-85.5		
12	138984	2	CLUTCH SLEEVE		
13	138983	2	CLUTCH PISTON		
14	139199	2	AXIAL SEAL RING D138+OR		
15	139198	2	AXIAL SEAL RING D55+OR		
16	139197	4	ROTARY SEAL RING D45.13		
17	68393	1	Shaft Z60		
18	23834	3	Rivet		
19	24321	2	Split pin D3x8		
20	149304	1	CLUTCH PACK 4 [^] V. TLB2		
21	148640	1	GEAR Z30 M3.5 4 [^] V.		
22	148643	1	GEAR Z47 M3.5 4WD		
23	25066	1	Lockring		
24	138381	1	BACKING PLATE		
25	149302	1	CLUTCH PACK 1 [^] V. TLB2		



Pos	Ref	Qty	Description	Kit	Note
26	25021	1	Lockring		
27	139347	1	SPRING COVER (13016)		
28	139348	1	COMPRESSION SPRING 9-108-100		
29	148647	1	CLUTCH PISTON		
30	145899	1	AXIAL SEAL RING D198+OR3750		
31	28015	2	Needle bearing bush		
32	28350	2	Bush		
33	28648	2	O.ring		
34	142923	2	ROTARY SEAL RING D55		
35	148641	1	SPACER 54.7X45X31.5		
36	145900	1	AXIAL SEAL RING D80+OR2287		
37	148637	1	GEAR Z60 M4 1 - 1ft / INGRANAGGIO		
38	150000	1	WASHER WASHER OTECO 45.5X53X1 C67S		
39	25860	1	BALL BEARING 6309 100X45X25		
40	25485	1	Oil seal ring		
41	148854	1	PM FLANGE END YOKE 1410		
42	28623	1	O.ring		
43	129924	1	WASHER 12.5X52X5		
44	123918	1	SELF-LOCKING SCREW M12X1.25X25 10.9		



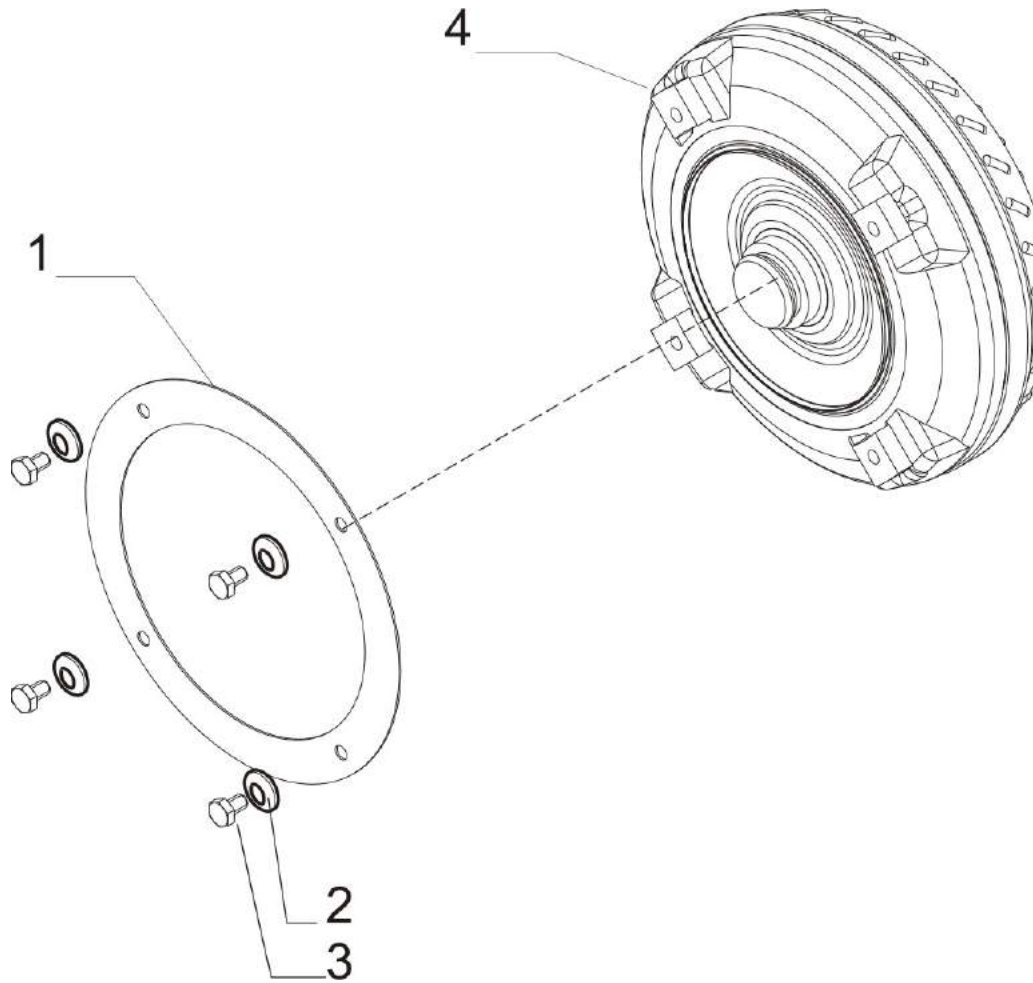
Pos	Ref	Qty	Description	Kit	Note
1	123918	1	SELF-LOCKING SCREW M12X1.25X25 10.9		
2	129924	1	WASHER 12.5X52X5		
3	28131	1	O.ring		
4	25809	1	Bearing		
5	24799	1	Snap ring		
6	106866	1	SHIM 54X45.25X0.1		
6	106867	1	SHIM 54X45.25X0.3		
6	106868	1	SHIM 54X45.25X0.5		
7	138391	1	FIFTH WHEEL 45.1X61X4.5		
8	138399	6	BELLEVILLE WASHER 100x51x4		
9	138394	1	SPACER 50.2X45.1X29.4		
10	28548	1	O.ring		
11	139341	1	CLUTCH PISTON (13014)		
12	28624	1	O.ring		
13	138384	1	ACTUATOR DISC		
14	68703	1	4WD shaft		
15	139342	3	PIN ATTUAZIONE FRENO		
16	28534	3	O.ring		
17	23834	1	Rivet		
18	149305	1	CLUTCH PACK 4WD TLB2		
19	141114	1	RING ARRESTO DISCO FRIZIONE		
20	25009	1	Lockring		
21	148645	1	GEAR Z45 M3.5 4WD		
22	27956	1	Needle bearing bush		
23	139011	1	WASHER 45X68X10.5		



Pos	Ref	Qty	Description	Kit	Note
24	25829	1	Bearing		
25	139197	2	ROTARY SEAL RING D45.13		
26	144452	1	PM FLANGE END YOKE 1410		
27	25485	1	Oil seal ring		
28	28523	1	O.ring		
29	138986	1	WASHER 50.1X68X4		
30	368059	1	CLUTCH CAN 4WD TLB2		

Missing JPEG file

Pos	Ref	Qty	Description	Kit	Note
1	21570	2	Plug		
2	444065	6	SCREW TE M8X1.25X90		
3	30720	3	Plug 9/16		
4	396089	1	DISTRIBUTOR TLB2		
5	396084	6	SOLENOID VALVE ON/OFF 3/2		
6	149785	2	SOLENOID VALVE Proportional TS98 T34 0 N		
7	148646	1	HYDRAULIC CONTROL BLOCK T		
8	643073	1	VALVE MODULATRICE		
9	433492	1	GASKET TLB2		



<i>Pos</i>	<i>Ref</i>	<i>Qty</i>	<i>Description</i>	<i>Kit</i>	<i>Note</i>
1	643540	1	FLYWHEEL TOW DISC		
2	23050	4	BELLEVILLE WASHER DIN 209		
3	20849	4	Bolt M10x20		
4	642652	1	CONVERTER SACHS W300-204-2.64		