

**JANUARY '97**

**652 FR CARRARO AXLE REF. 127714  
For "CASE POCLAIN"  
Spare Parts List**

**652 FR CARRARO AXLE REF. 127714**

**For "CASE POCLAIN"**

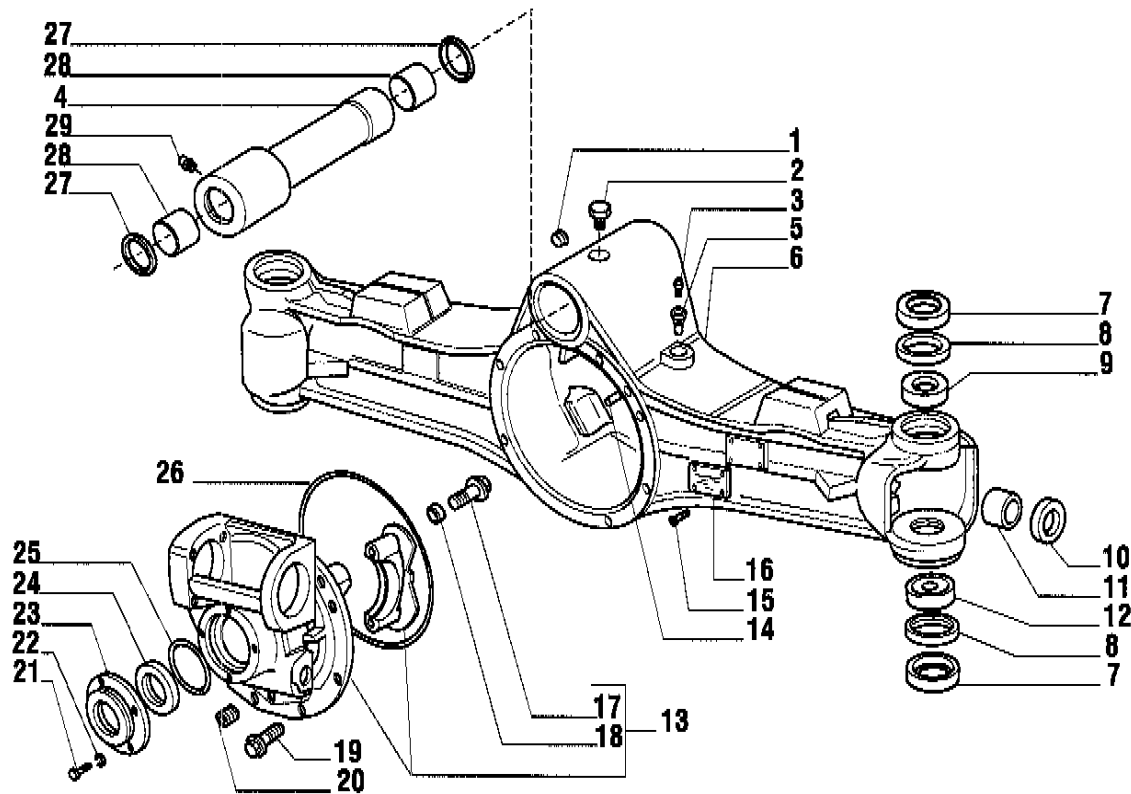
**SPARE PARTS LIST**

**INDEX OF PAGES**

- 1.1 Axle housing
- 2.0 Swivel housing - Wheel hubs
- 3.0 Bevel gear/Pinion set
- 4.1 Differential
- 5.1 Steering Cylinder-Tie Rod
- 6.0 Drive Shafts
- 7.1 Epicyclic Reduction Gears

**652 FR CARRARO AXLE ref. 127714****Axle housing**

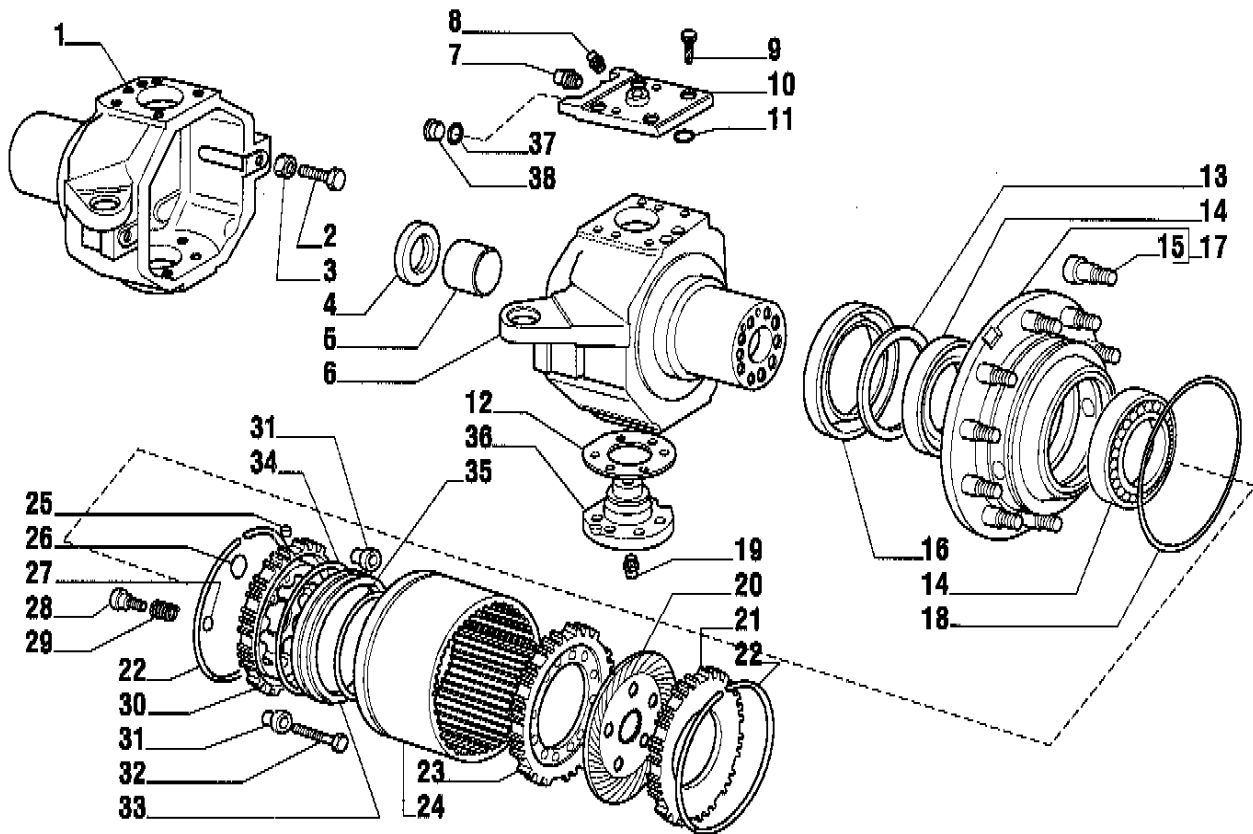
1.1

**MOD. N. 5057**

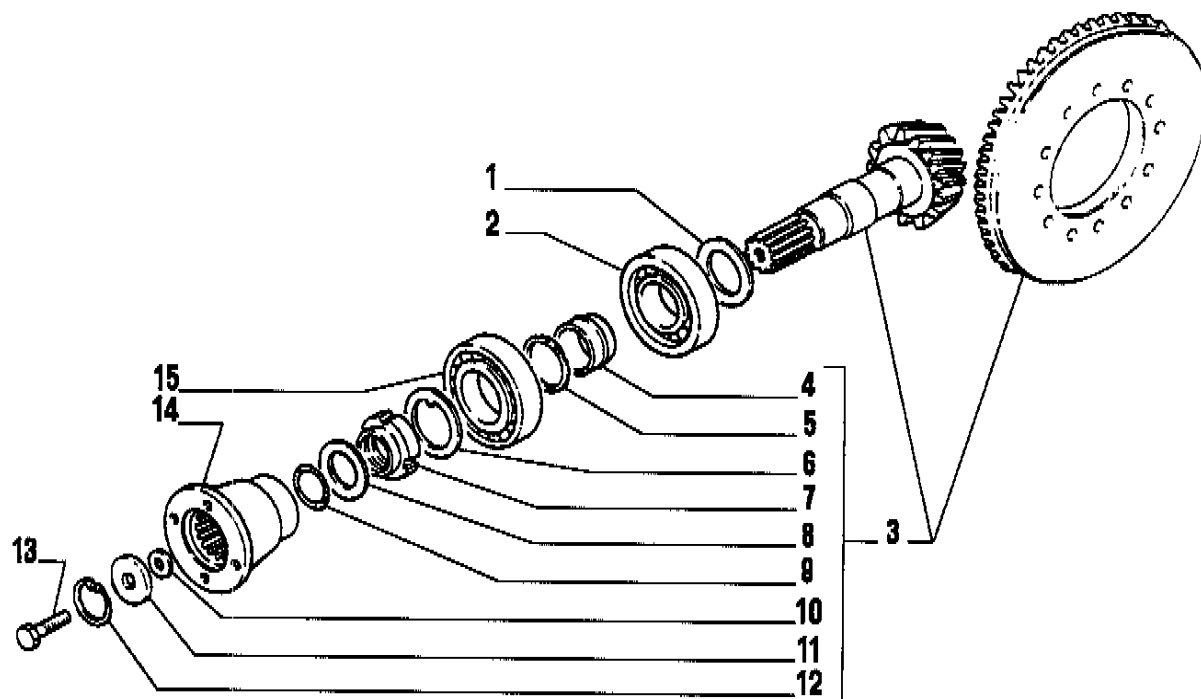
Pos.	Ref.	Q.	Description	Pos.	Ref.	Q.	Description
1	021585	1	Drain plug M.22x1,5	28	119925	2	Bush
2	121103	1	Screw M6x12	29	024260	1	Greaser nipple M10x1
3	030785	1	Plug M10x1				
4	129996	1	Shaft				
5	121618	1	Extension for breather				
6	124190	1	Axle beam				
7	121104	4	Cover				
8	025125	4	Lip seal				
9	126047	2	Bush				
10	118433	2	Oil seal				
11	123653	2	Bush				
12	027694	2	Spherical bearing				
13	125056	1	Differential assy				
14	076379	2	Pin D15x45				
15	023827	4	Rivet D.3,2				
16	123147	1	Plate				
17	126064	4	Bolt M16x95				
18	094205	4	Centering bush				
19	125828	8	Bolt				
20	092270	1	Oil plug				
21	020781	4	Bolt M8x25				
22	022856	4	Spring washer D.8				
23	123848	1	Cover				
24	125442	1	Oil seal 65x92x14				
25	028567	1	O. ring				
26	028565	1	Ring Parker				
27	026124	2	Seal				

**652 FR CARRARO AXLE ref. 127714****Swivel housing - Wheel hubs**

2.0

**Up-dated January '97**

Pos.	Ref.	Q.ty	Description	Pos.	Ref.	Q.ty	Description
1	126961	1	Swivel housing L.H.	27	125883	24	Lock ring
2	117357	4	Bolt M14x2x60	28	125882	24	Pin
3	022131	4	Nut M.14	29	125881	24	Spring
4	121018	2	Oil seal 48x74x13	30	125850	2	Wheel carrier
5	119908	2	Bush	31	125189	2	Centering bush D.24
6	125960	1	Swivel housing R.H.	31	125190	18	Centering bush D.20
7	125884	2	Breather	32	119908	20	Bolt M14x1,5x65 (self lock.)
8	024280	2	Greaser nipple M10x1	33	125874	2	Brake piston
9	126922	20	Bolt M14x2x35 (self lock)	34	125885	2	Quadring 179,6x3,4
10	125780	2	King pin	35	125886	2	Quadring 204,6x3,4
11	028578	4	O.ring	36	120001	2	King pin
12	122017	-	Shlm Th=0,1mm	37	122816	2	Washer
12	122018	-	Shlm Th=0,3mm	38	030741	2	Oil plug M14x1,5
13	125878	2	Spacer				
14	119970	4	Bearing				
15	125046	20	Stud M22x1,5				
16	047710	2	Cassette seal				
17	065744	2	Wheel hub				
18	028579	2	O. ring				
19	024282	2	Greaser nipple M10x1				
20	125855	2	Brake disc				
21	125832	2	Reaction plate				
22	125061	4	Ring				
23	125849	2	Reaction plate				
24	125886	2	Crown gear				
25	021530	4	Grub screw M6x1				
26	028595	4	O. ring				

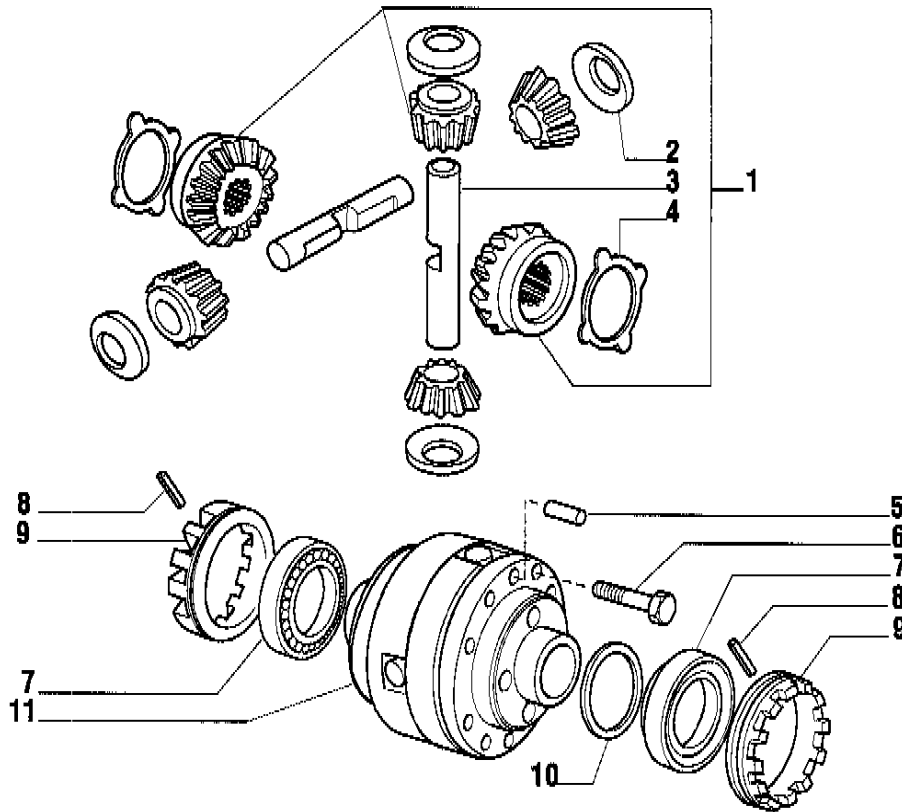
**652 FR CARRARO AXLE ref.127714****Bevel gear/Pinion set****3.0**

Pos.	Ref.	Q.ty	Description	Pos.	Ref.	Q.ty	Description
1	113346	-	Shim Th=3,1mm				
1	113347	-	Shim Th=3,2mm				
1	113348	-	Shim Th=3,3mm				
1	113349	-	Shim Th=3,4mm				
1	121043	-	Shim Th=2,5mm				
1	121044	-	Shim Th=2,6mm				
1	121045	-	Shim Th=2,7mm				
1	121046	-	Shim Th=2,8mm				
1	121047	-	Shim Th=2,9mm				
1	121048	-	Shim Th=3,0mm				
2	027396	1	Bearing				
3	065942	1	Bevel gear/pinion set Z=11/37				
4	125908	1	Collapsible spacer				
5	125831	1	Collapsible washer				
6	125545	1	Lockwasher				
7	117140	1	Ring nut M45x1,5				
8	125232	1	Washer				
9	028502	1	O. ring 3162				
10	123915	-	Shim 0,05mm				
10	123916	-	Shim 0,1mm				
10	123917	-	Shim 0,2mm				
11	123921	1	Washer				
12	024886	1	Snap ring D.45 DIN 472				
13	123918	1	Screw M12x1,25x25(Self locking)				
14	125045	1	Flange				
15	027351	2	Bearing 31309				

**652 FR CARRARO AXLE ref. 127714**

**Differential**

4.1

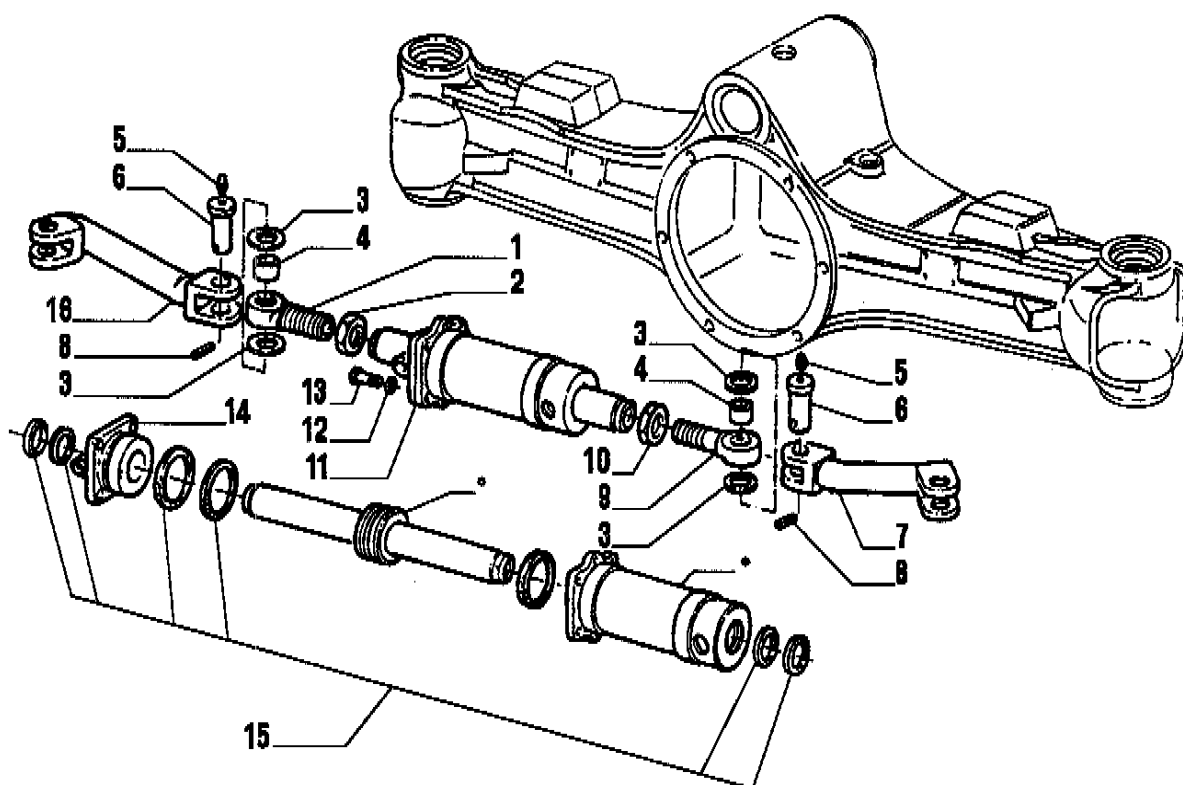


**MOD. N. 5212**

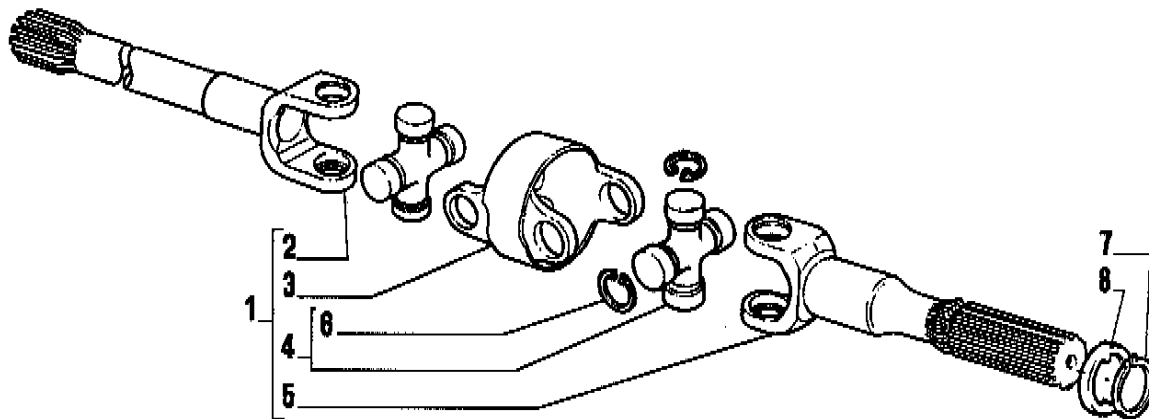
Pos.	Ref.	Q.	Description	Pos.	Ref.	Q.	Description
1	066312	1	Differential kit				
2	117171	4	Thrust washer				
3	133035	2	Shaft				
4	133036	2	Thrust washer				
5	125065	2	Centering pin D.14x40				
6	125064	10	Bolt				
7	027387	2	Bearing				
8	024357	2	Split pin D4x22				
9	120341	2	Ring nut				
10	125093	1	Spacer				
11	125777	1	Housing				

**652 FR CARRARO AXLE ref.127714****Steering Cylinder - Tie Rod**

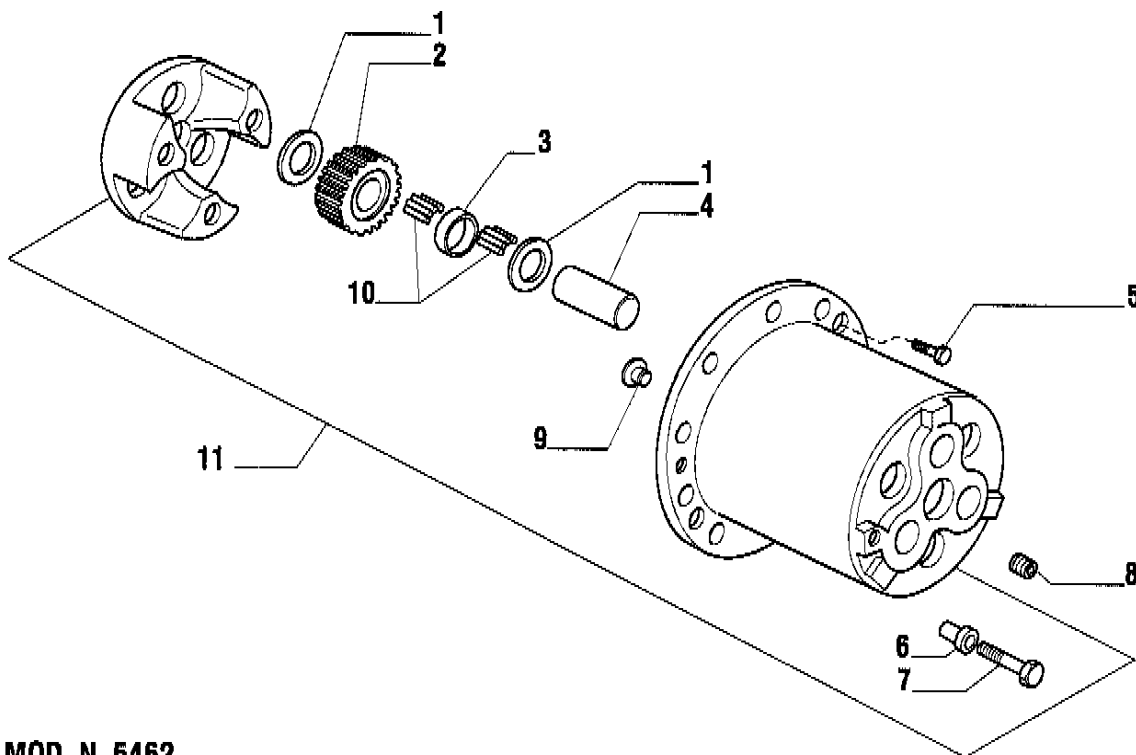
5.0



Pos.	Ref.	Q.ty	Description	Pos.	Ref.	Q.ty	Description
1	121055	1	Shaft threaded R.H.				
2	121105	1	Nut threader M36x1,5 R.H.				
3	121054	8	Washer				
4	119951	4	Bush				
5	024260	4	Greaser nipple M10x1				
6	121053	4	Pin				
7	124200	1	Tie Rod R.H.				
8	024430	4	Pin 8x40				
9	121067	1	Shaft threaded L.H.				
10	121106	1	Nut threader M36x1,5 L.H.				
11	122209	1	Cylinder				
12	022863	4	Washer D14				
13	020973	4	Screw M14x56				
14	049040	1	Flange				
15	049041	1	Gasket kit				
16	124199	1	Tie Rod L.H.				

**652 FR CARRARO AXLE ref.127714****Drive Shafts****6.0**

Pos.	Ref.	Q.ty	Description	Pos.	Ref.	Q.ty	Description
1	126157	2	Drive shaft				
2	040863	2	Fork (differential side)				
3	040861	2	Central body				
4	040862	4	Spider				
5	040880	2	Fork (wheel side)				
6	113437	16	Snap ring				
7	024809	2	Snap ring D.54				
8	125043	2	Washer				

**652 FR CARRARO AXLE ref. 127714****Epicyclic reduction gears****7.1****MOD. N. 5462**

Pos.	Ref.	Q.	Description	Pos.	Ref.	Q.	Description
1	125050	12	Thrust washer				
2	125025	6	Planetary gear				
3	125048	6	Washer				
4	126184	6	Shaft				
5	020778	4	Bolt M8x20				
6	128049	6	Centering bush				
7	125082	6	Bolt M20x80				
8	092270	2	Oil plug				
9	115682	2	Thrust washer				
10	028297	38,4	Needle bearing (by tens)				
11	126182	2	Carrier assy Includes ref.125062-128049				