



Spare parts catalogue

AXLE 20.49_(ECO14578){{0001}}

REF: 149434

1.1 Axle housing

2.1 Swivel housings and steering cylinder

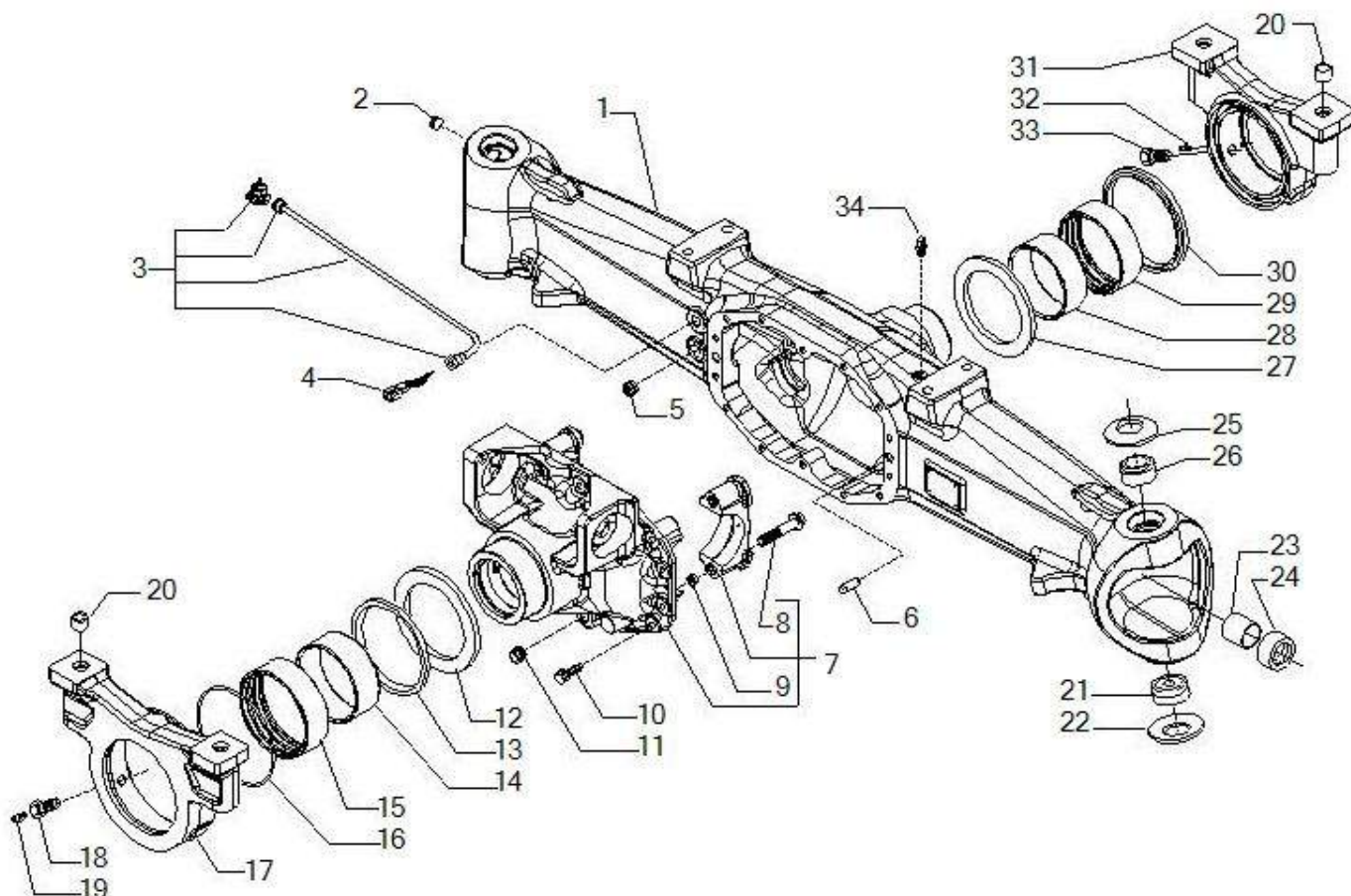
3.1 Bevel gear set

4.1 Differential

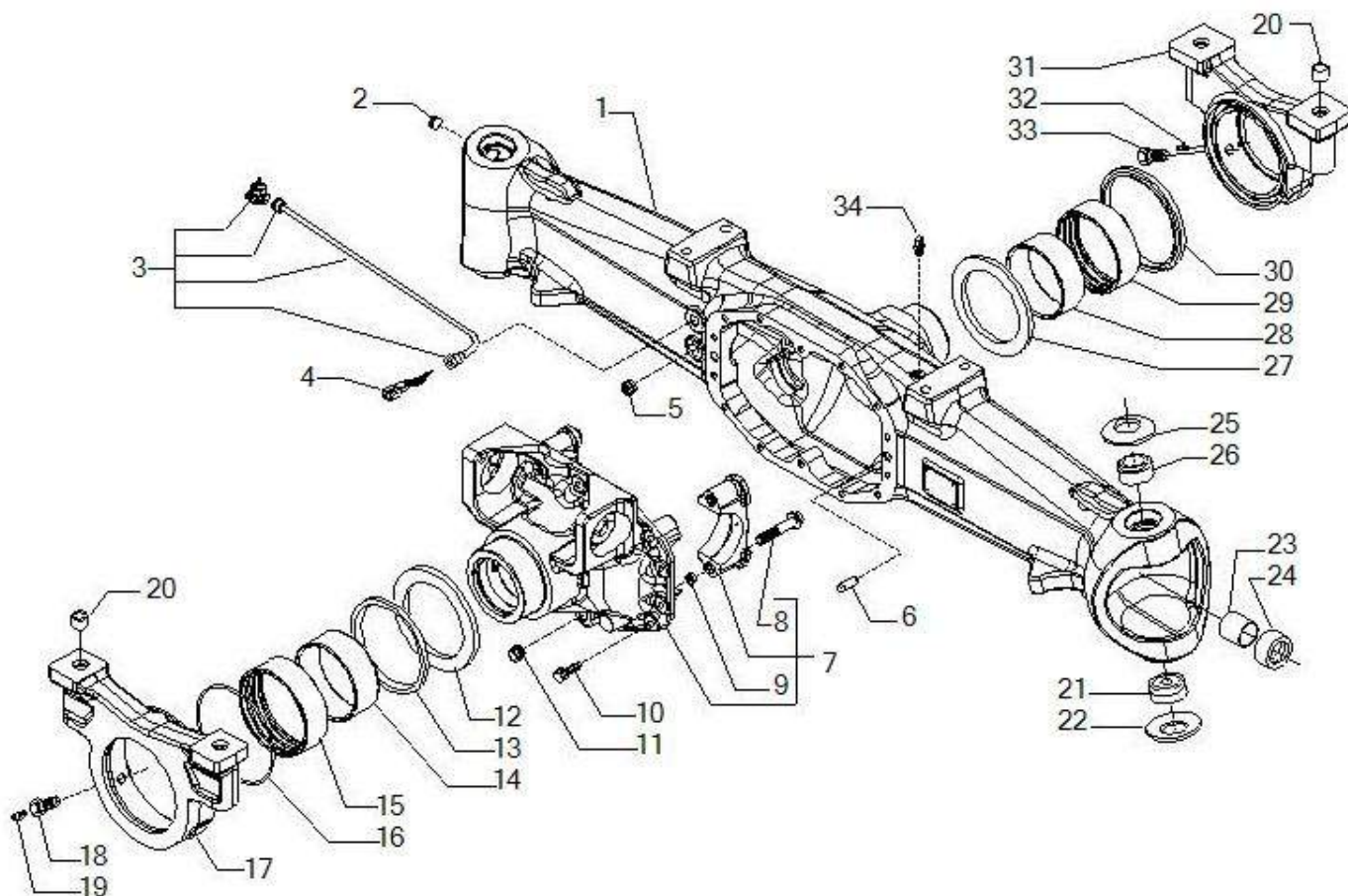
5.1 Double U-joint

6.1 Wheel hub

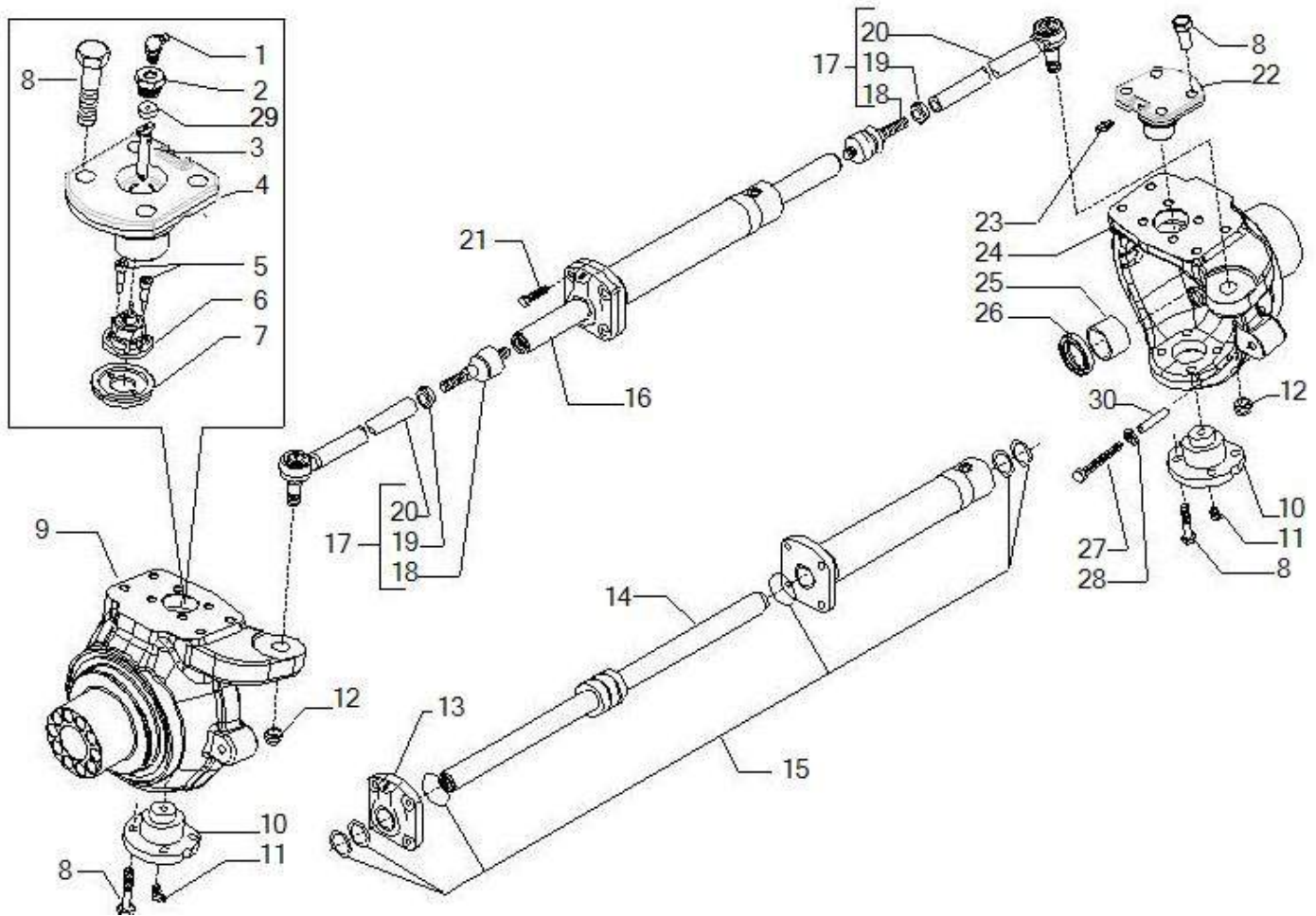
7.1 Final reduction



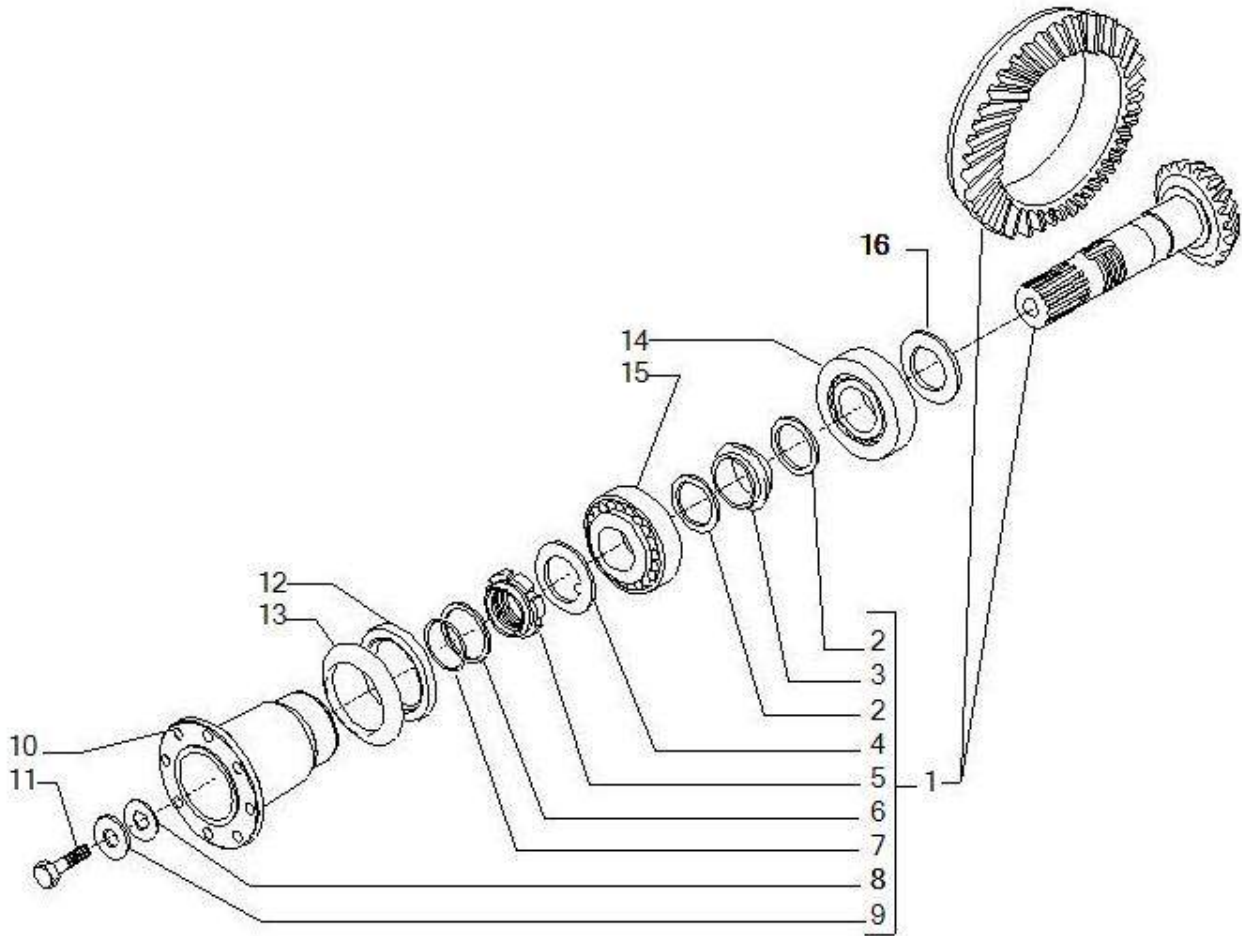
Pos	Ref	Qty	Description	Kit	Note
1	358895	1	BEAM 20.49 (358896)		
2	21602	1	Plug M26x1.5		
3	643668	1	HARNES KIT SENSOR (KIT P		
4	642348	1	CABLE CONNECTOR AMP 1.5 SERIES 4 PINS		
5	128050	1	TAPERED PLUG M24X1.5 UNI 5.8		
6	87660	1	Pin		
7	149423	1	I.S.C.DIFF.SUPPORT (10501		
8	126064	4	HEXAGON SERRATED FLANGE BOLT M16X2X95	149423	
9	94205	4	Centering bush	149423	
10	125827	14	HEX HEAD FLANGE SCREW M12X1.75X29 12.9 C		
11	92270	1	Oil plug M22x1,5		
12	141883	1	WASHER 79.5X145.1X8		
13	141892	1	SEAL RING AS 180X195X14		
14	641855	1	SWING BUSHING 144.8X155X50		
15	141885	1	SWING BUSHING 155X165X38		
16	28529	1	O.ring		
17	149425	1	SUPPORTO POSTERIORE		
18	126634	1	DRILLED SCREW		
19	24210	1	LUBRIFICATING NIPPLES UNI 7663 A M6X16		
20	141709	4	CENTERING BUSH		
21	45160	2	Spherical bearing		
22	128631	2	BELLEVILLE WASHER 76x56.5x1		
23	123653	2	BUSHING AB C 48-53-58P		
24	140499	2	RING SF6 48X74X18.5		
25	128632	2	BELLEVILLE WASHER 90x46x2.5		



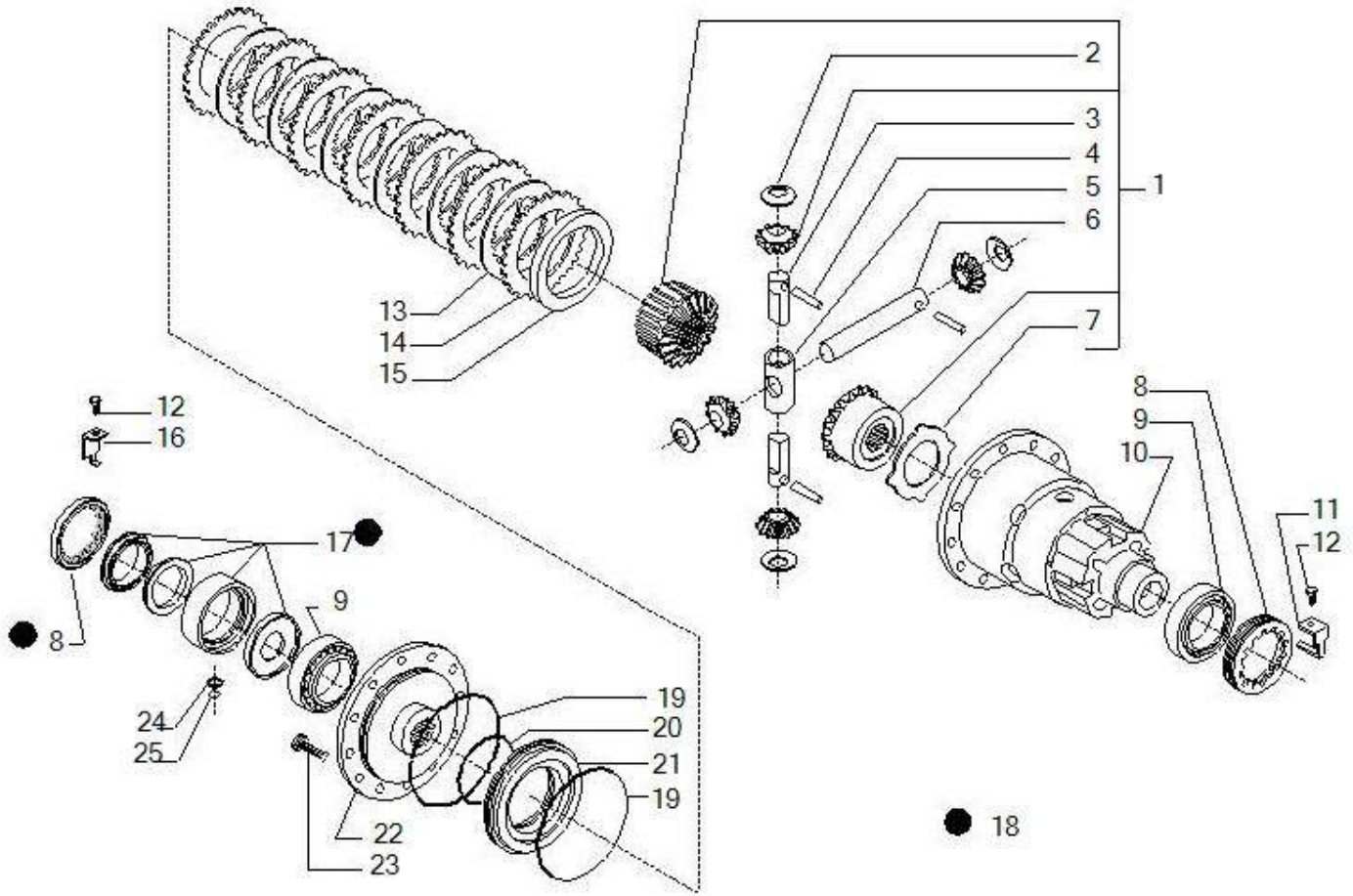
Pos	Ref	Qty	Description	Kit	Note
26	45166	2	KING PIN BUSH 45X62X22		
27	126630	1	FIFTH WHEEL 115X149.5X8		
28	124592	1	SWING BUSHING 115X125X44		
29	139686	1	SWING BUSHING		
30	126628	1	SEAL RING 150X165 9/12		
31	149424	1	SUPPORTO ANTERIORE		
32	24258	1	Greaser nipple M8x1		
33	126633	1	SCREW FERMO BRONZINA		
34	642014	1	BREATHER M10X1		



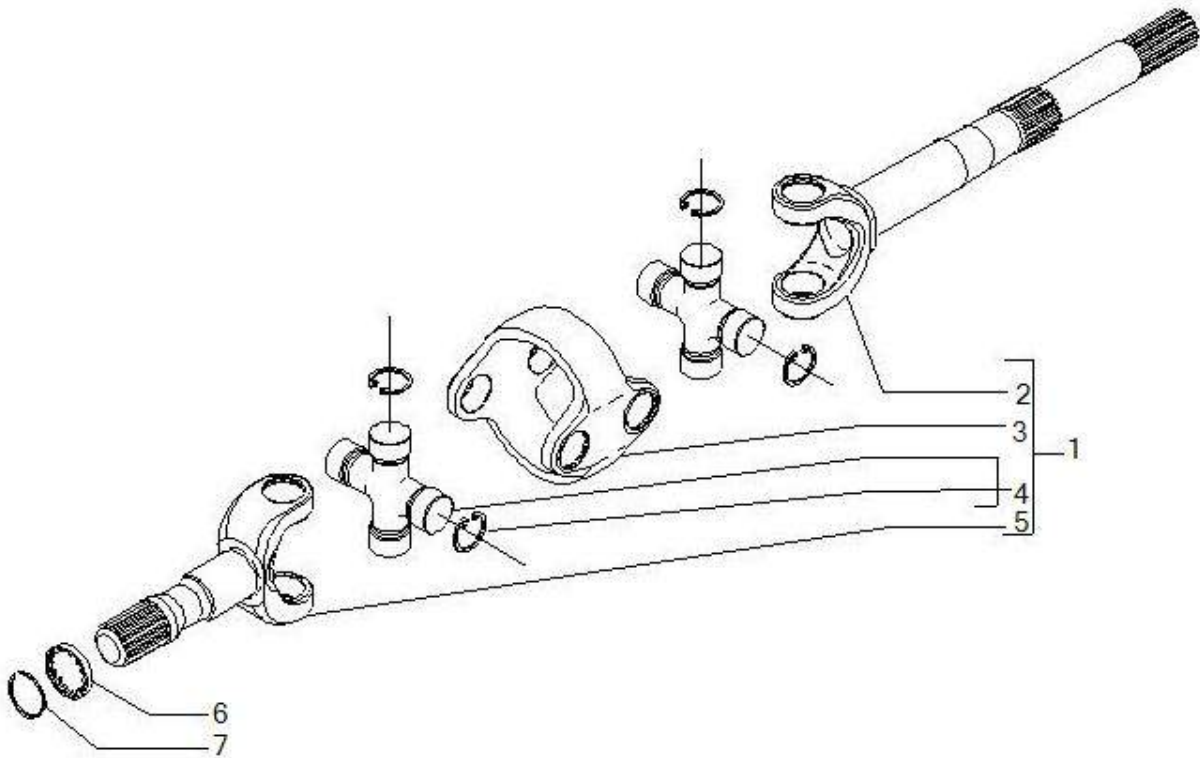
Pos	Ref	Qty	Description	Kit	Note
27	358934	2	SCREW M16X180 UNI 5739 8.8 STEERING LOCK		
28	22128	2	Nut M16x2		
29	643831	1	WASHER 10X17		
29	372481	1	WASHER SINT D11 DIN 30910-4 SENSORE 17X1		
30	143039	4	BUSH		



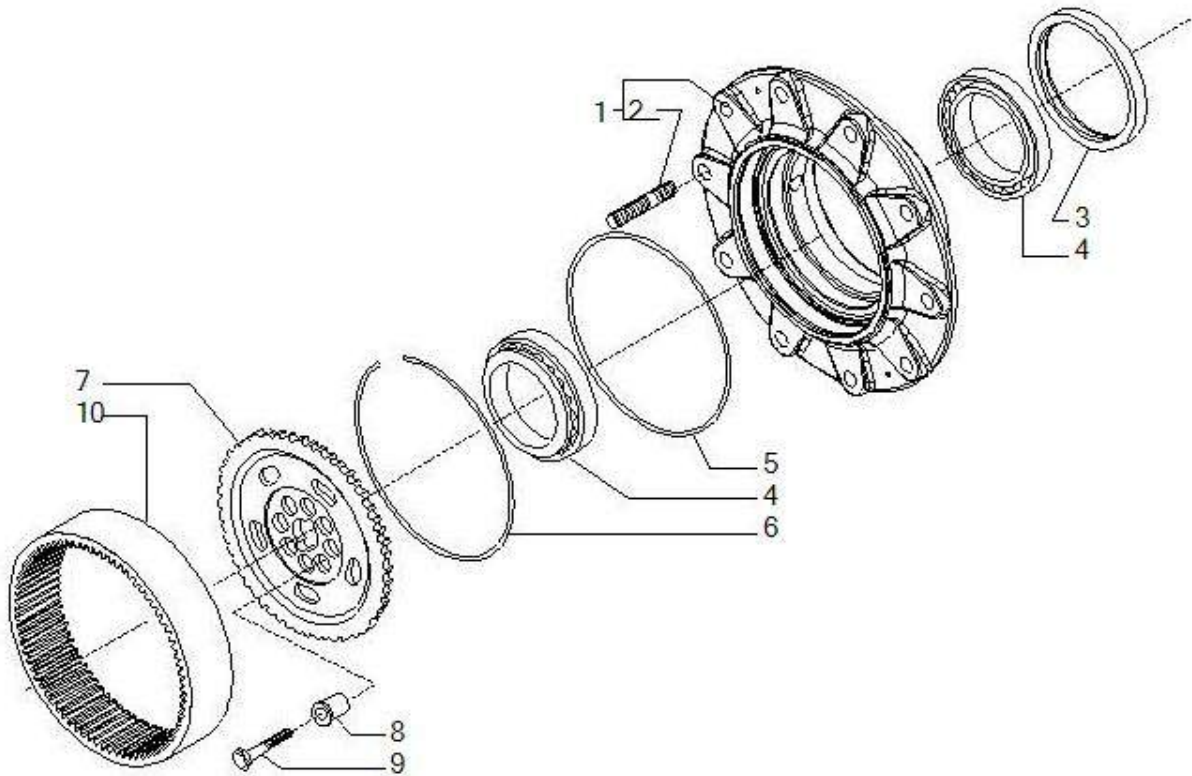
Pos	Ref	Qty	Description	Kit	Note
1	68337	1	BEVEL GEAR PINION KIT		
2	125831	2	SHIM 55X45.5X2	68337	
3	125808	1	ELASTIC SPACER 50X47X22.2	68337	
4	125545	1	RING NUT STOP	68337	
5	117140	1	RING NUT M45X1.5 ACCIAIO 8.8 UNI 3740-74	68337	
6	140185	1	WASHER Washer 40X51X3 C70 40.5-47 HRC	68337	
7	28521	1	O.ring	68337	
9	123921	1	WASHER 12.5X44X5	68337	
10	149429	1	PM FLANGE DIN 120		
11	123918	1	SELF-LOCKING SCREW M12X1.25X25 10.9		
12	132193	1	SEAL RING 65X105X14 BA VISLDRWX67		
13	132208	1	COVER		
14	145578	1	TAPE ROLLER THRUST BEARING 110X50X29.25		
15	145577	1	TAPE ROLLER THRUST BEARING 100X45X27.25		



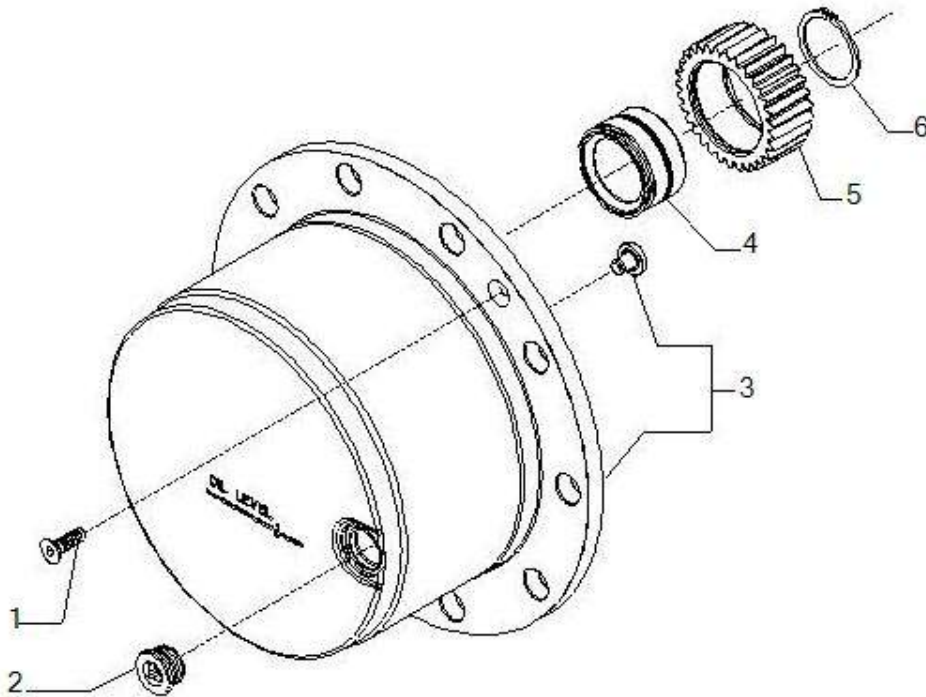
Pos	Ref	Qty	Description	Kit	Note
1	68033	1	Differential kit		
2	117171	4	SPHERICAL WASHER 25.22X60	68033	
3	140220	2	DIFF.PLANET.GEAR PIN L72 D25	68033	
4	70273	3	PARALLEL PIN 7X65 TRAT. C40	68033	
5	140221	1	DIFFERENTIAL SPIDER	68033	
6	140222	1	DIFF.PLANET.GEAR PIN L169 D25	68033	
7	140214	1	COUNTERPLATE Diff. locking SP1.3 LD22121	68033	
8	140524	2	RING NUT (011959) M114X2	68863	
9	27343	2	Tapered bearing		
10	145113	1	DIFFERENTIAL HOUSING 12632		
11	140658	1	RING NUT STOP		
12	128440	2	SELF-LOCKING SCREW M6X10 10.9		
13	145121	6	FRICION PLATE BL.DIFF.		
14	145122	7	COUNTERPLATE		
15	145565	1	SPACER 149.5X110X9.3		
16	140659	1	RING NUT STOP		
17	381000	1	DIFFERENTIAL SEAL ASSEMBLY 20.49		
18	68863	1	DIFFERENTIAL SEAL KIT		
19	28529	2	O.ring		
20	28533	1	O.ring		
21	145119	1	DIFFERENTIAL LOCKING PISTON 12637		
22	145114	1	DIFFERENTIAL HOUSING COVER (13255)		
23	127925	12	SELF-LOCKING SCREW M14X2X40 10.9		
24	140612	1	WASHER 20.5X16X2.9		
25	33208	1	O.ring		



<i>Pos</i>	<i>Ref</i>	<i>Qty</i>	<i>Description</i>	<i>Kit</i>	<i>Note</i>
1	149431	2	DOUBLE U-JOINT B330 55 DWVF L710		
2	40673	4	FORCELLA LD 1.411.382.074	149431	
3	40672	4	CORPO CENTR.1.411.280.216	149431	
4	40683	8	Kreuz	149431	
5	40674	4	FORCELLA LR 1.411.387.036	149431	
6	145486	2	TOOTHED WASHER 55X66X8.5		
7	144988	2	SNAP RING T4-47.7-4		



Pos	Ref	Qty	Description	Kit	Note
1	68064	2	KIT MOZZO RUOTA		
2	119907	40	STUD R22x2.5 - D22x1.5 - L88 - 10.9	68064	
3	140497	2	CASSETTE RAD.SHAFT SEALX/		
4	45909	4	TAPE ROLLER THRUST BEARING JP13049A/JP13		
5	28579	2	O.ring		
6	141886	2	RING F3.5-249-S80		
7	145485	2	EPIC. WHEEL CARRIER HUB		
8	138701	20	CENTERING BUSH		
9	119906	20	SELF-LOCKING SCREW M14X1.5X65 10.9		
10	145782	2	EPICYCLOIDAL RING GEAR		



<i>Pos</i>	<i>Ref</i>	<i>Qty</i>	<i>Description</i>	<i>Kit</i>	<i>Note</i>
1	20490	4	Bolt		
2	125280	2	MAGNETIC PLUG M30X2		
3	68627	2	PLANETARY CARRIER KIT		
4	642513	6	CYL ROLLER BEARING 50X69.67X42.5		
5	642923	6	EPIC.PLANETARY GEAR Z31 M2.9295 L60		
6	24805	6	Snap ring		