

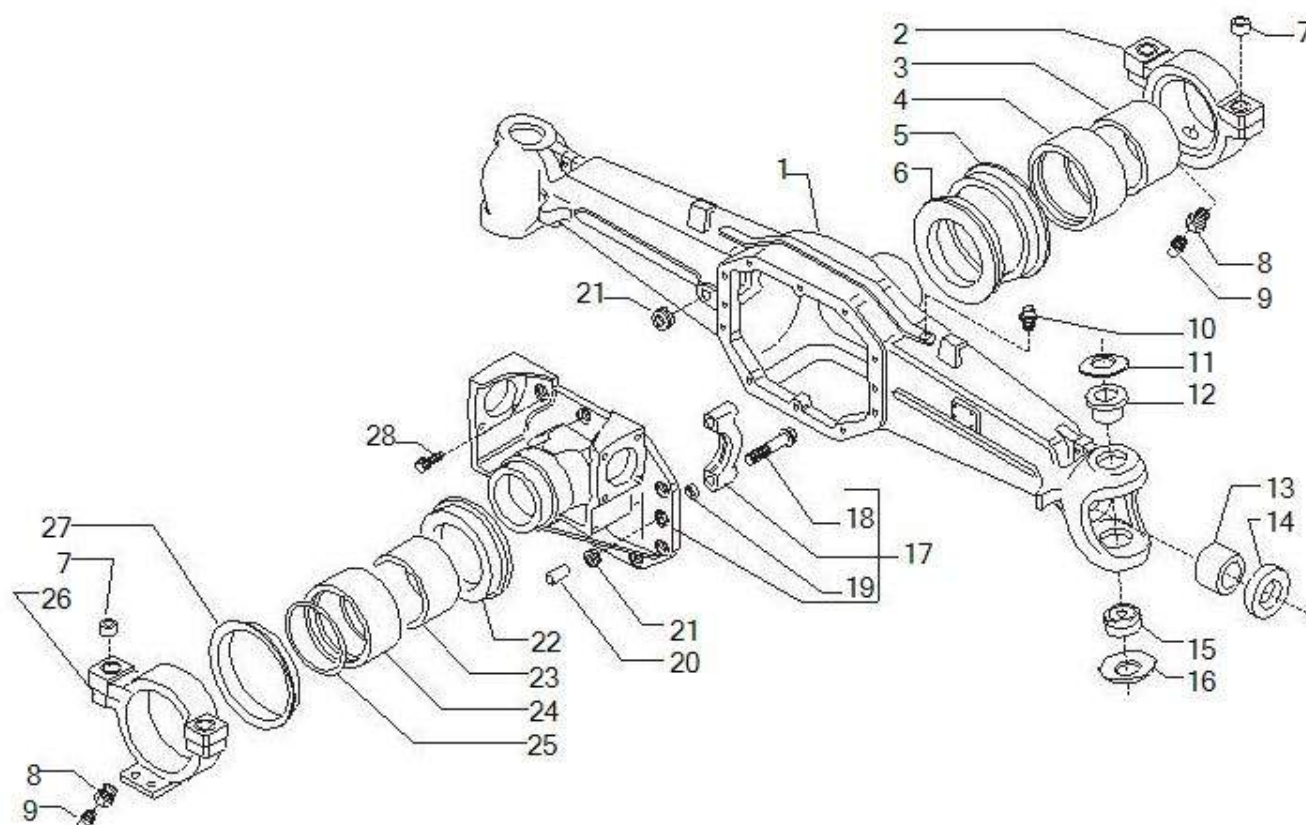


Spare parts catalogue

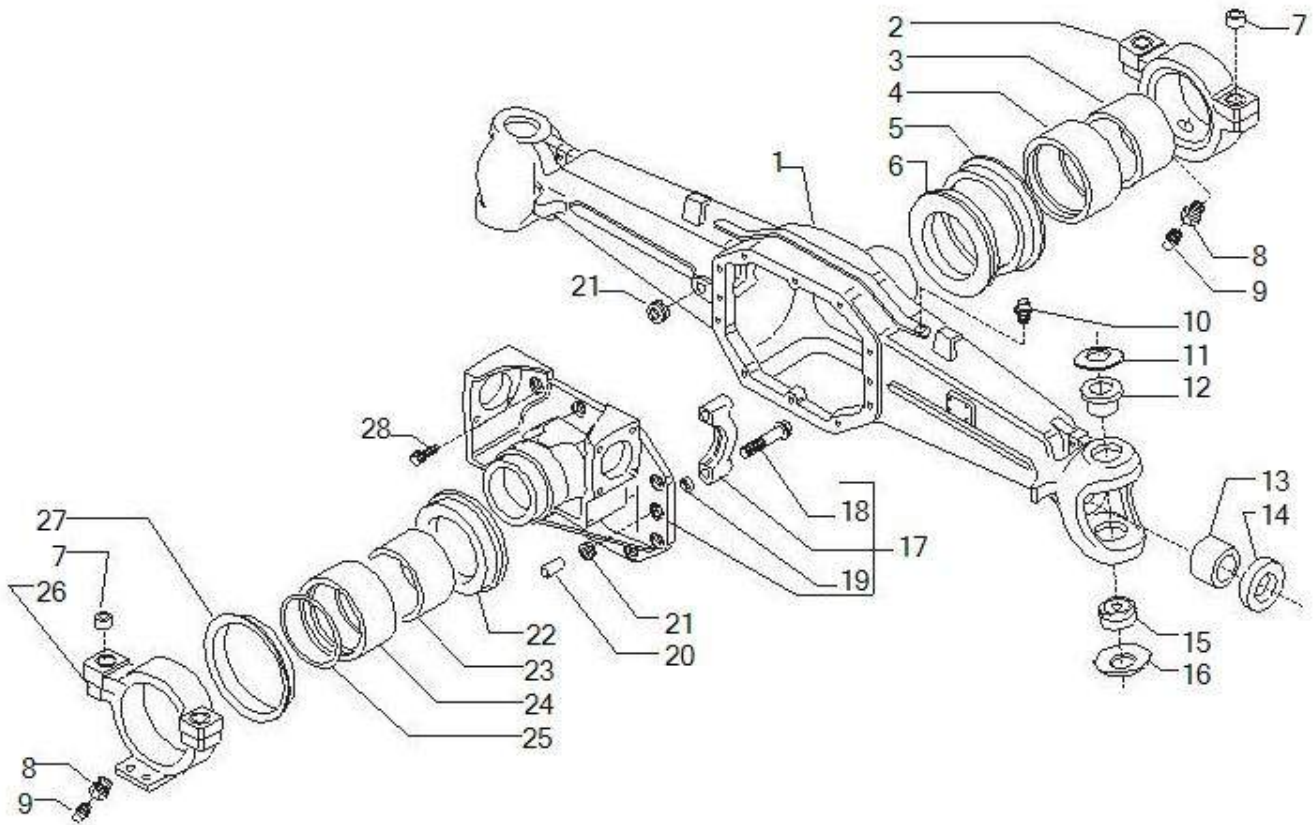
AXLE 20.22_(CM10289)

REF: 643886

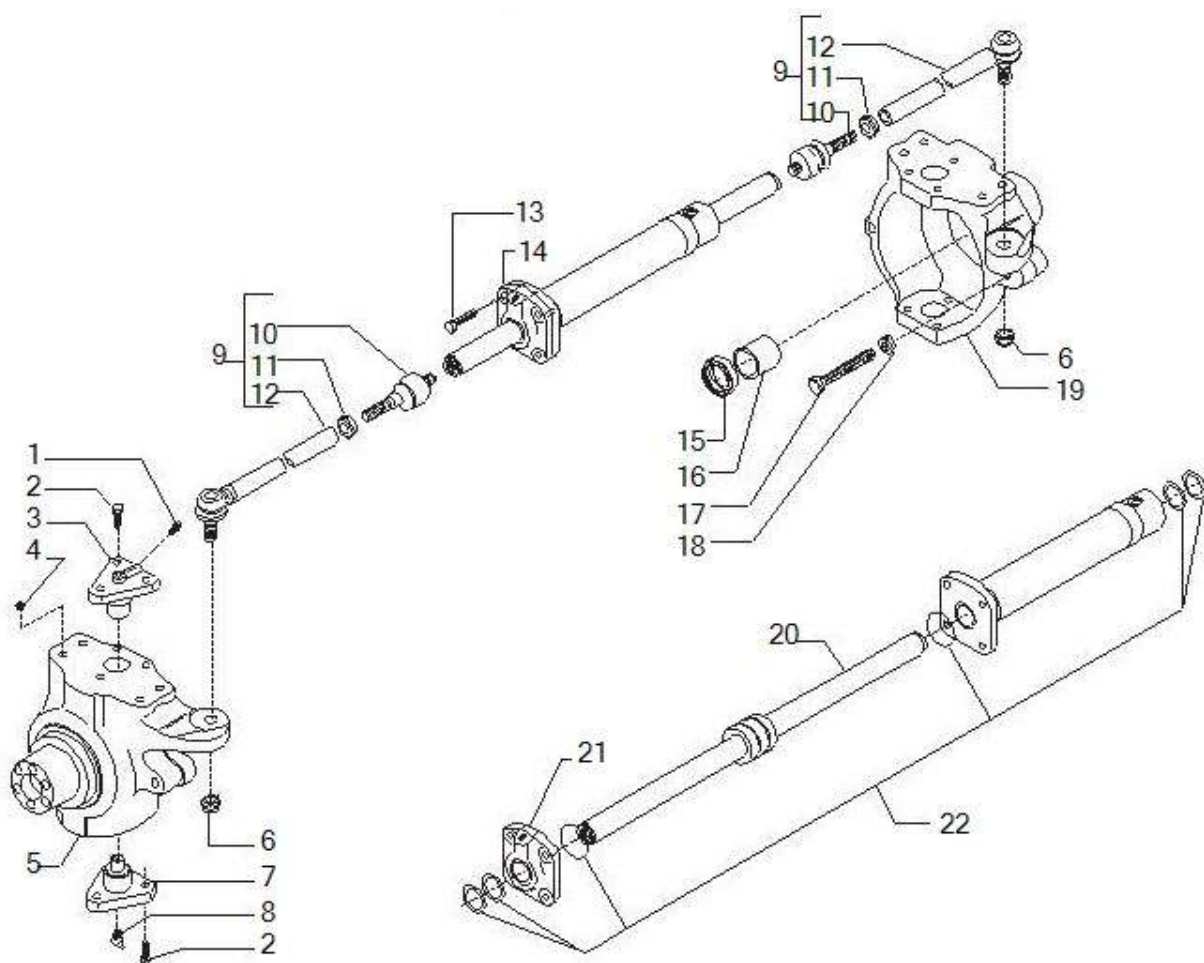
- 1.1 Corps du pont**
- 2.1 Calottes et verin de direction**
- 3.1 Couple conique**
- 4.1 Differentiel**
- 5.1 Double U-joint**
- 6.1 Moyeu de roue**
- 7.1 Riduction Epicycloidal**



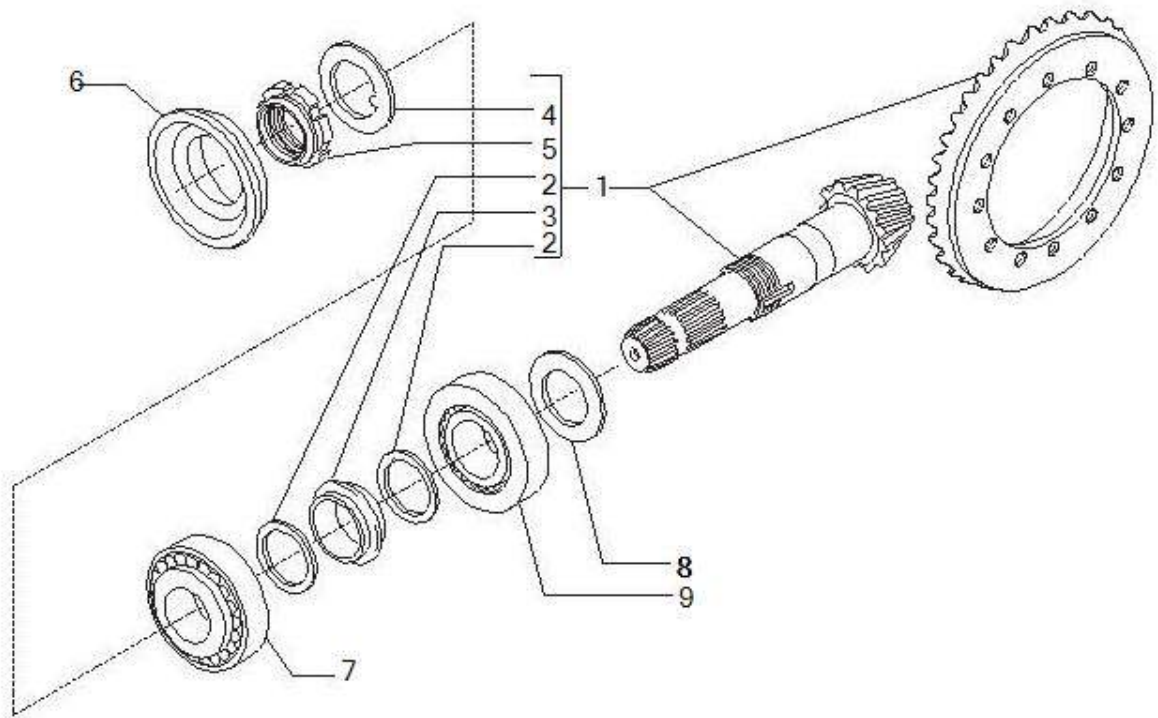
Pos	Ref	Qty	Description	Kit	Note
1	145412	1	BEAM 433026		
2	381492	1	SUPPORT FRONT (11432)		
3	101565	1	SWING BUSHING 105X115X44		
4	101575	1	SWING BUSHING 115X125X42		
5	28215	1	V-RING V-140 A		
6	127376	1	THRUST SHOE 144X105.1X13 / RALLA		
7	116529	4	BUSH 30X21X16.5 C40 UNI 5332-64		
8	126634	2	DRILLED SCREW		
9	24210	2	LUBRIFICATING NIPPLES M6x1con.CH7 Acc.Zn		
10	104988	1	BREATHER M10X1		
11	128633	2	BELLEVILLE SPRING 71x36x2.5 lo4.5 / MOLL		
12	45167	2	KING PIN BUSH 35X52X20		
13	116962	2	BUSHING AB C 40X44X35 P		
14	145761	2	COMBI RING 40X55X15.5		
15	45161	2	SPHERICAL BALL 28X52X16 (GE28SX)		
16	128630	2	BELLEVILLE SPRING 70x47.5x1 lo2.5 / MOLL		
17	136025	1	I.S.C.DIFF.SUPPORT (011358)		
18	126022	4	HEX HEAD FLANGE SCREW M14X2X75 12.9 CLAS		
19	72235	4	BUSH 18X15X12		
20	87660	2	PARALLEL PIN 15X35		
21	128050	2	TAPERED PLUG M24X1.5 5.8 EN ISO 898-1		
22	133582	1	THRUST SHOE 154X115.1X13 / RALLA		
23	124592	1	SWING BUSHING 114.84X125X44		
24	123475	1	SWING BUSHING 125X135X42		
25	28498	1	O-RING 125x2 -		



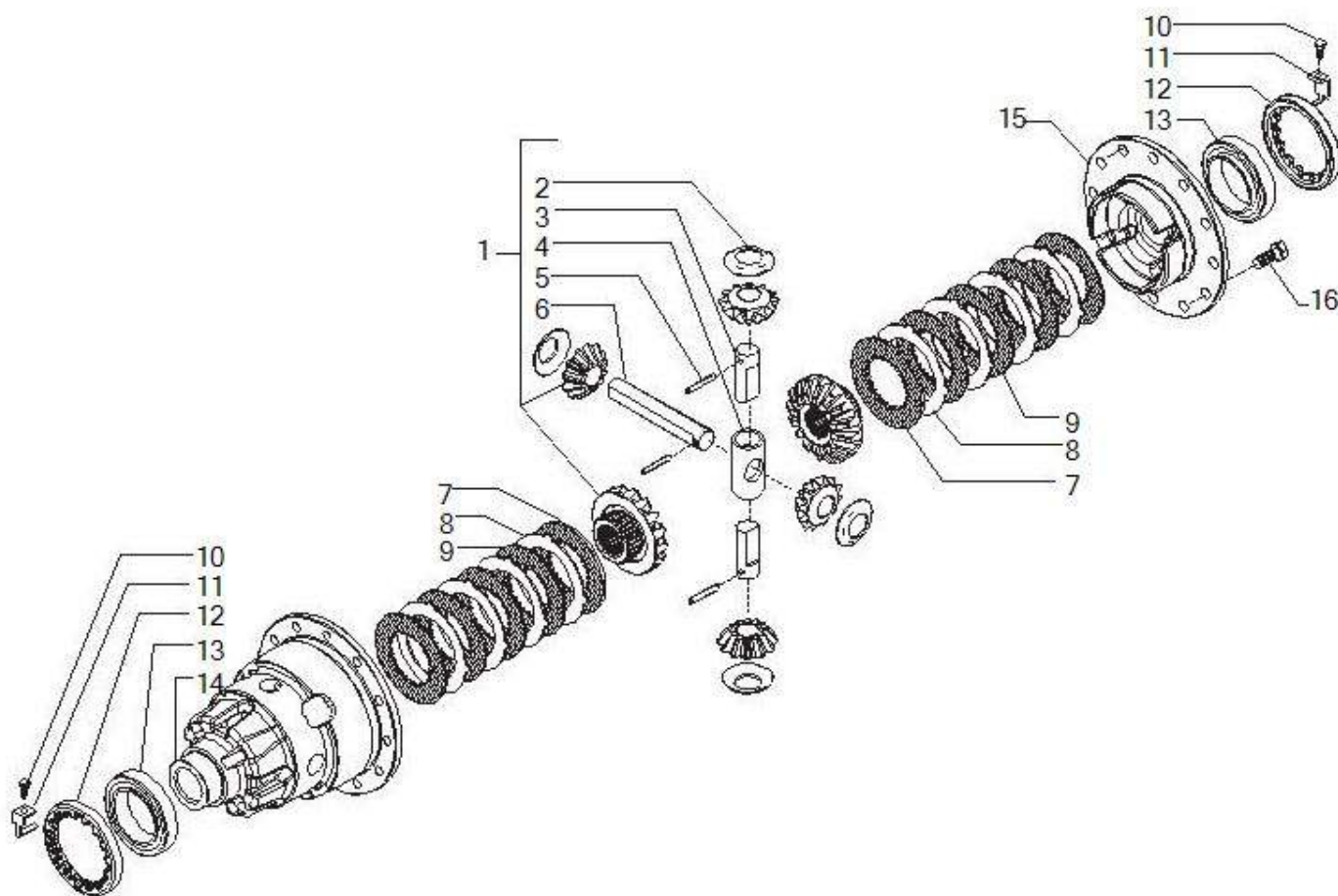
Pos	Ref	Qty	Description	Kit	Note
26	381491	1	SUPPORT REAR (11433)		
27	28640	1	V-RING V-150 A		
28	125827	10	HEX HEAD FLANGE SCREW M12X1.75X29 12.9 C		



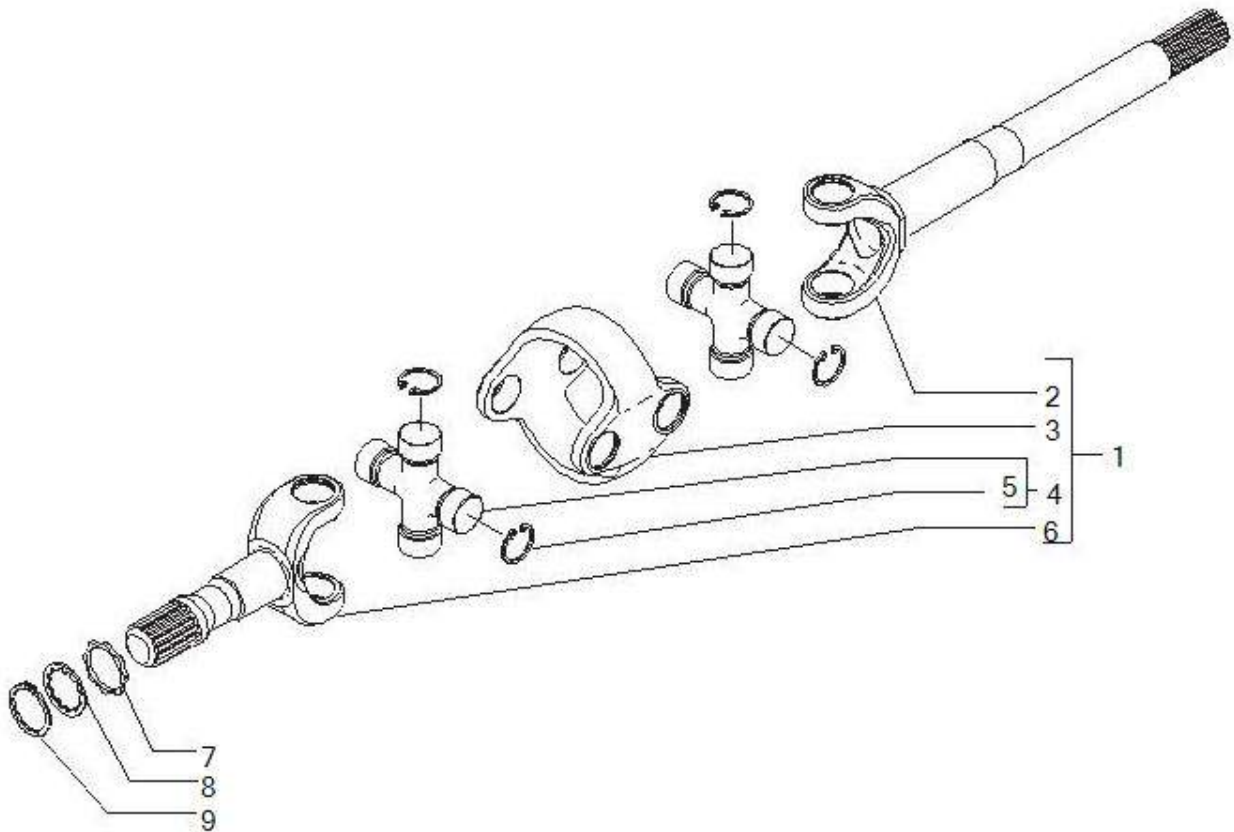
Pos	Ref	Qty	Description	Kit	Note
1	24210	2	LUBRIFICATING NIPPLES M6x1con.CH7 Acc.Zn		
2	126922	12	SELF-LOCKING SCREW M14X2X35 10.9 10.9 UN		
3	133084	2	SWIVEL HOUSING KING PIN		
4	30755	8	PLASTIC PLUG D14.5		
5	145011	1	SWIVEL HOUSING LH (012862)		
6	22431	2	SELF-LOCKING NUT UNI 7474		
7	128881	2	SWIVEL HOUSING KING PIN (17576)		
8	24211	2	LUBRIFICATING NIPPLES M6x1 DIN 71412-B P		
9	138648	2	STEERING ROD		
10	049013	2	BALL JOINT D40 40 DX 38g		
11	70787	2	HEXAGON NUT UNI 5589 M24X1.5 8 - -		
12	351696	2	BALL JOINT		
13	128534	4	SELF-LOCKING SCREW M12X45 10.9 - -		
14	146800	1	STEERING CYLINDER IN 70-38-276		
15	144485	2	COMBI RING 45X60X16 SF8		
16	125390	2	BUSHING AB C 45X50X35 P		
17	124748	2	HEX HEAD SCREW UNI 5739 M16X100 8.8 UNI		
18	22129	2	HEXAGON NUT UNI 5589 M16 8		
19	145012	1	SWIVEL HOUSING RH (012863)		
20	48964	1	STEM 333171760		
21	48963	1	Cylinder head		
22	48962	1	KIT GUARNIZIONI 800260251		



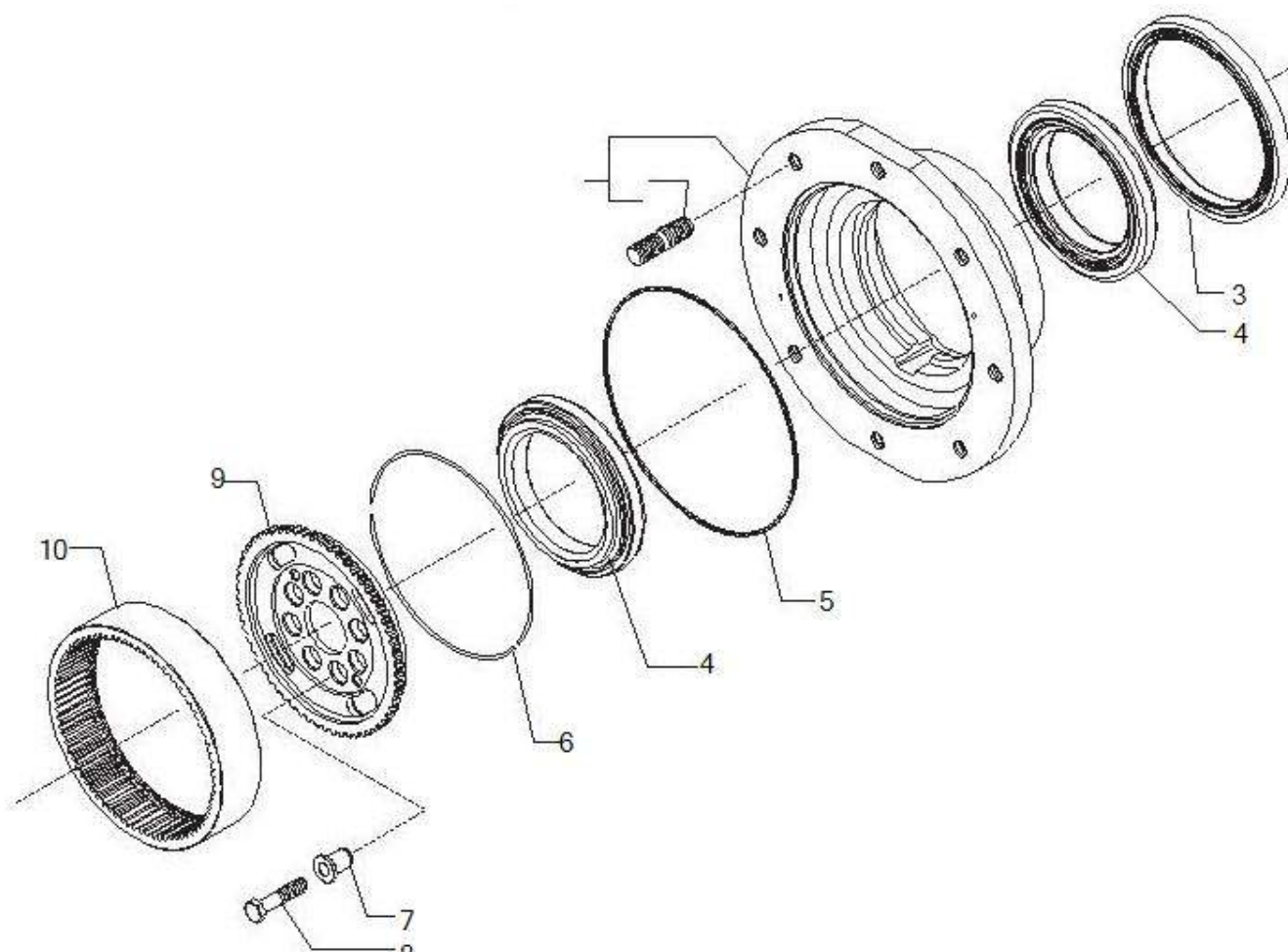
Pos	Ref	Qty	Description	Kit	Note
1	68553	1	BEVEL GEAR PINION KIT		
2	125829	2	THRUST SHOE 40.5X50X2 MAT101 CARRARO STD		
3	126369	1	ELASTIC SPACER 45X42X20		
4	113717	1	WASHER 41X69X2 /RONDELLA FERMO GHIERA PI		
5	115054	1	RING NUT M40X1.5		
6	134339	1	CASSETTE RAD.SHAFT SEAL 35X92X/		
7	27350	1	TAPE ROLLER THRUST BEARING 31308 90X40X2		
8	134186	1	SHIM 75X45.3X2.5		
8	134187	1	SHIM 75X45.3X2.6		
8	134188	1	SHIM 75X45.3X2.7		
8	134189	1	SHIM 75X45.3X2.8		
8	134190	1	SHIM 75X45.3X2.9		
8	134191	1	SHIM 75X45.3X3		
8	134192	1	SHIM 75X45.3X3.1		
8	134193	1	SHIM 75X45.3X3.2		
8	134194	1	SHIM 75X45.3X3.3		
8	134195	1	SHIM 75X45.3X3.4		
9	27395	1	Bearing		



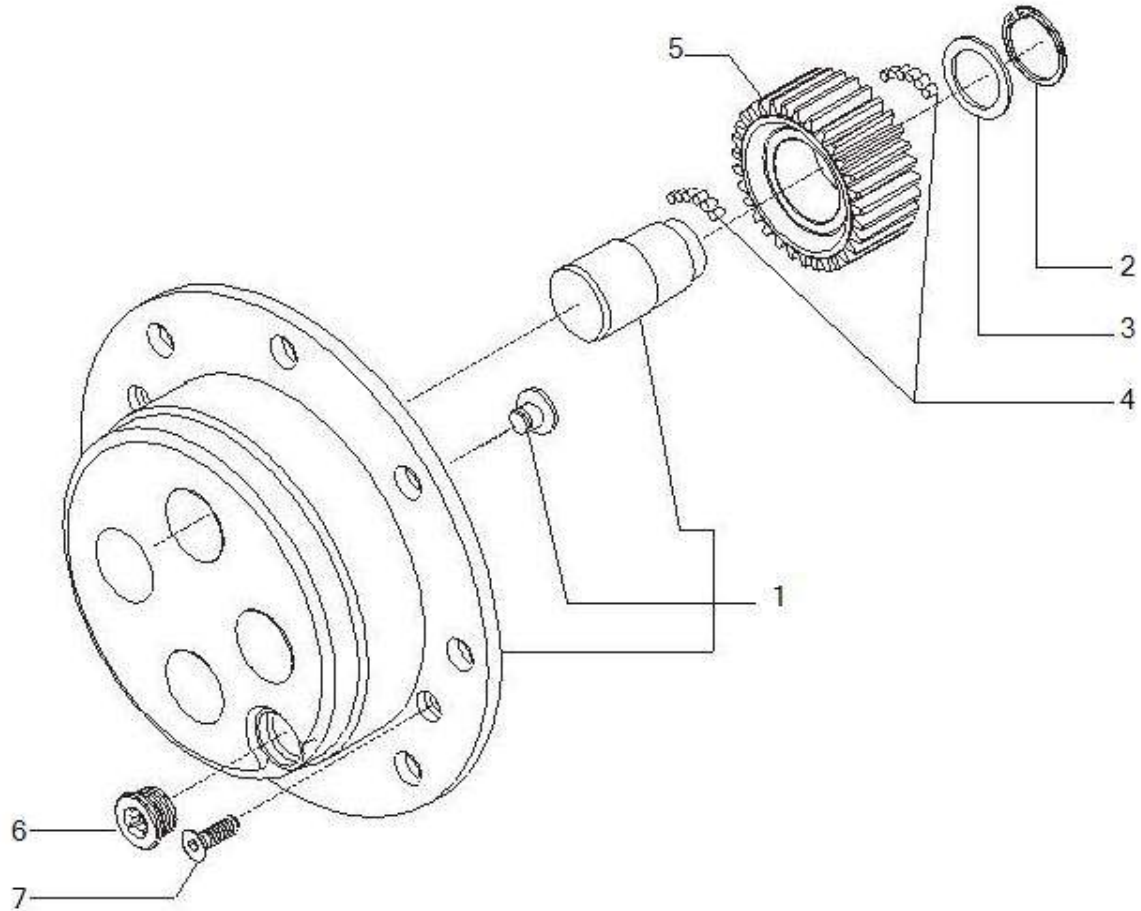
Pos	Ref	Qty	Description	Kit	Note
1	66295	1	DIFF. GEARS KIT		
2	115730	4	SPHERICAL WASHER washer 22.1X42X1.5 -		
3	133155	2	DIFF.PLANET.GEAR PIN L53 D22		
4	137537	1	DIFFERENTIAL SPIDER		
5	70273	3	PARALLEL PIN 7X65 TRAT. C40		
6	115731	1	DIFF.PLANET.GEAR PIN L130 D22		
7	113883	2	DISC Diff. locking -FRICTION DISC		
8	113879	8	DISC BLOCC.DIFF.-FRICTION DISC		
9	113880	10	COUNTERPLATE BLOCC.DIFF.		
10	128440	2	SELF-LOCKING SCREW M6X10 10.9 10.9 UNI E		
11	136024	2	LOCK PLATE		
12	107400	2	RING NUT M94X2 MP IF FN 0205 R (16988)		
13	27256	2	TAPE ROLLER THRUST BEARING 32011X 90X55X		
14	133150	1	DIFFERENTIAL HOUSING (011399)		
15	133151	1	DIFFERENTIAL HOUSING COVER (11400)		
16	642042	12	SELF-LOCKING SCREW M10X30 12.9 ACCIAIO C		



<i>Pos</i>	<i>Ref</i>	<i>Qty</i>	<i>Description</i>	<i>Kit</i>	<i>Note</i>
1	138444	2	DOUBLE U-JOINT		
2	46243	4	Fork (diff. side)		
3	46279	4	CENTRAL BODY 09753/540754		
4	40837	4	SPIDER 83058/710652		
5	40953	16	CIRCLIP 00923/584257		
6	46247	4	Fourche (cote roue)		
7	132165	2	THRUST WASHER 45.3X60X2.5		
8	140024	2	WASHER OTECO 44.6X52X2.5		
9	24799	2	Snap ring		



Pos	Ref	Qty	Description	Kit	Note
	126710	8	STUD ACCIAIO CL. 10.9 UNI EN 20898 R18X2		
1	66313	2	Kit moyeu de roue		
2	126710	16	STUD ACCIAIO CL. 10.9 UNI EN 20898 R18X2		
3	47702	2	SEAL RING 150-180-14 5/16		
4	45180	4	TAPE ROLLER THRUST BEARING 158.75X109.53		
5	28668	2	O.ring		
6	125344	2	CIRCLIP 188.7X3.5 FILO B 3.5 UNI 3823		
7	141196	16	CENTERING BUSH		
8	140259	16	SELF-LOCKING SCREW M12X45 10.9 ACCIAIO 1		
9	134298	2	EPIC. WHEEL CARRIER HUB		
10	134299	2	EPICYCLOIDAL RING GEAR		



Pos	Ref	Qty	Description	Kit	Note
1	66287	2	Planetary carrier assy		
2	24793	8	Snap ring		
3	135366	8	FIFTH WHEEL 38.1X45X2.4		
4	28370	44.80	CYLINDRICAL ROLLER 5x10 (TENS OF 134350)		
5	135947	8	EPIC.PLANETARY GEAR Z23 M		
6	125280	2	MAGNETIC PLUG M30X2		
7	20490	4	COUNTERSUNK HEAD SCREW UN		