



Spare parts catalogue

AXLE 26.25_(CM9916)

REF: 642988

1.1 Axle housing

2.1 Swivel housings and steering cylinder

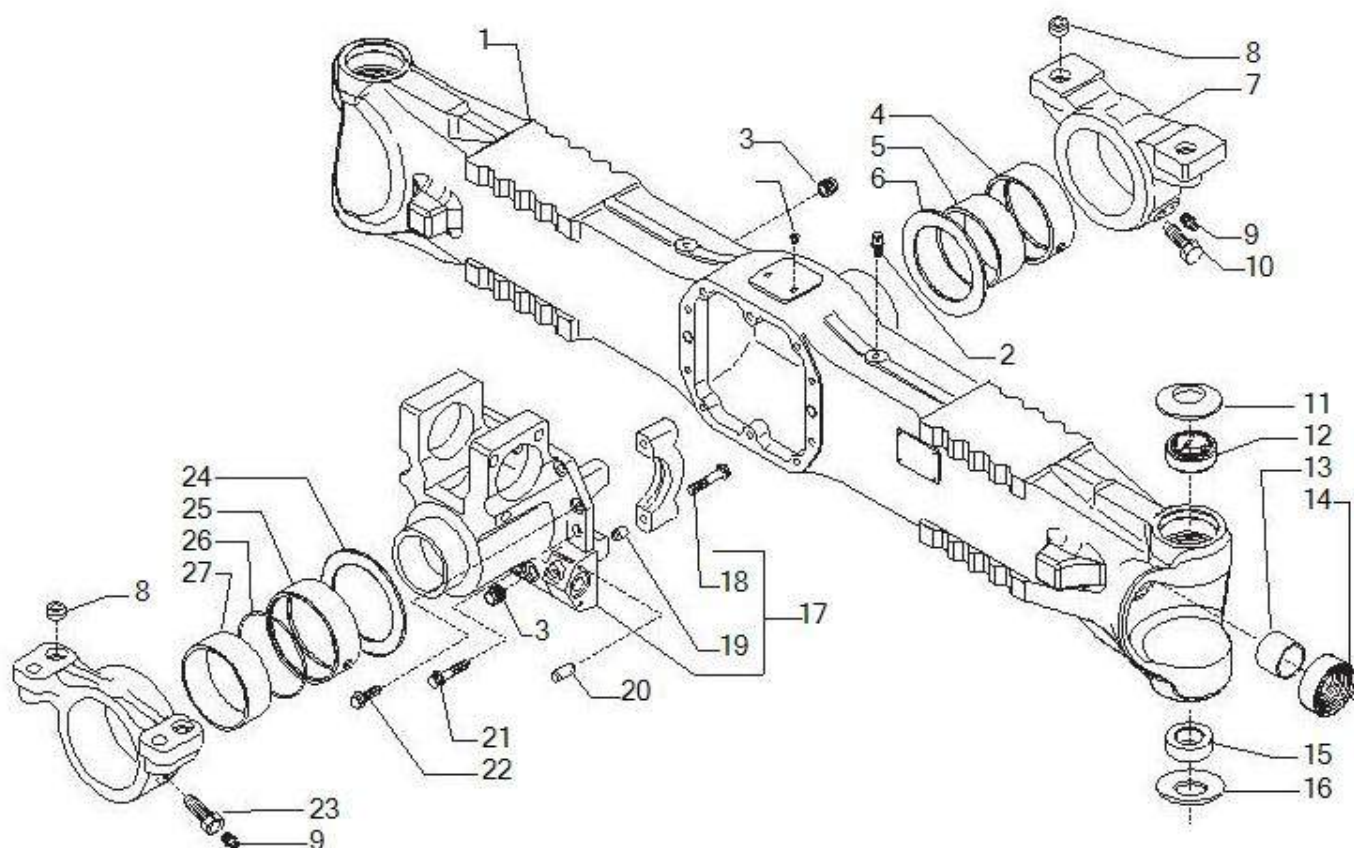
3.1 Bevel gear set

4.1 Differential

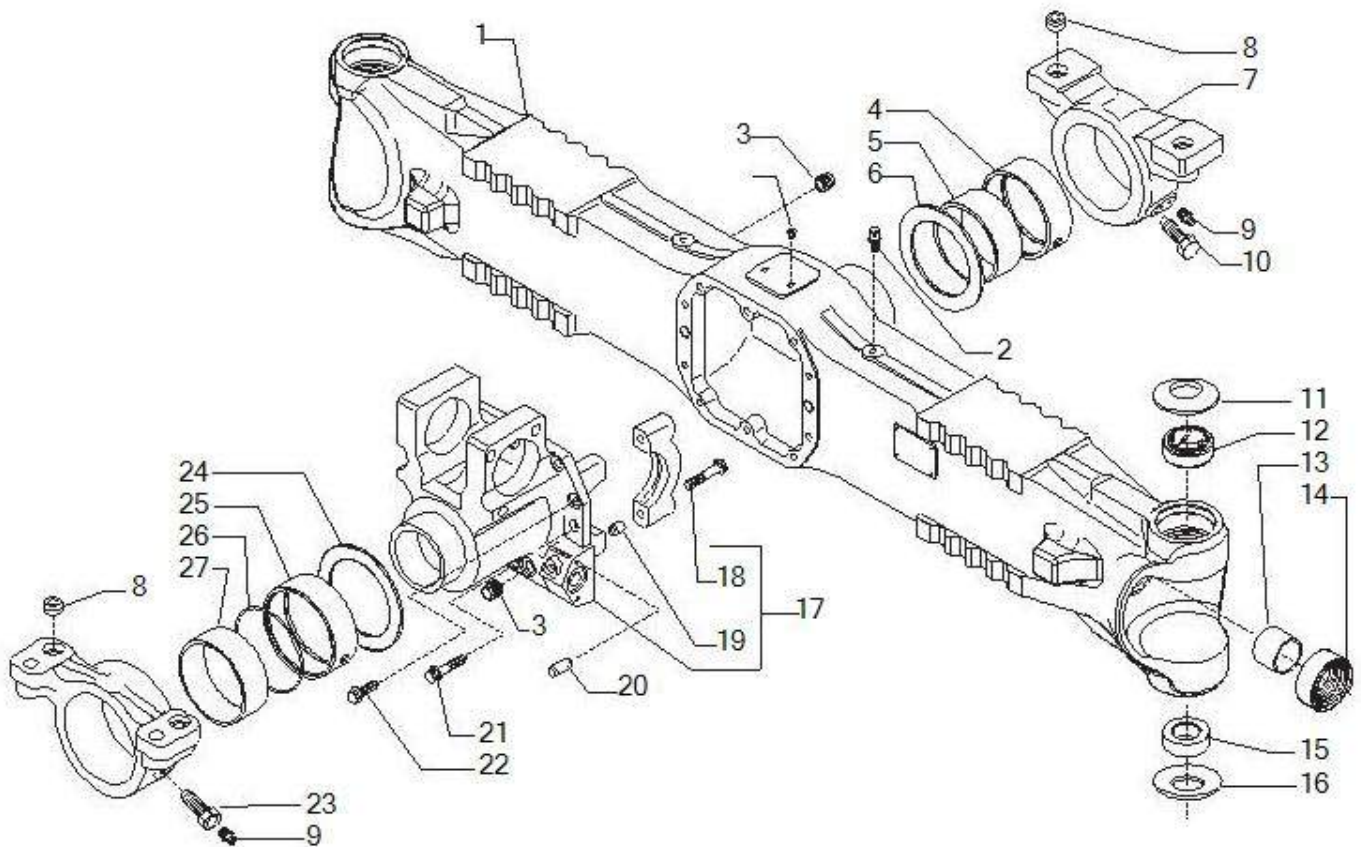
5.1 Double U-joint

6.1 Wheel hub

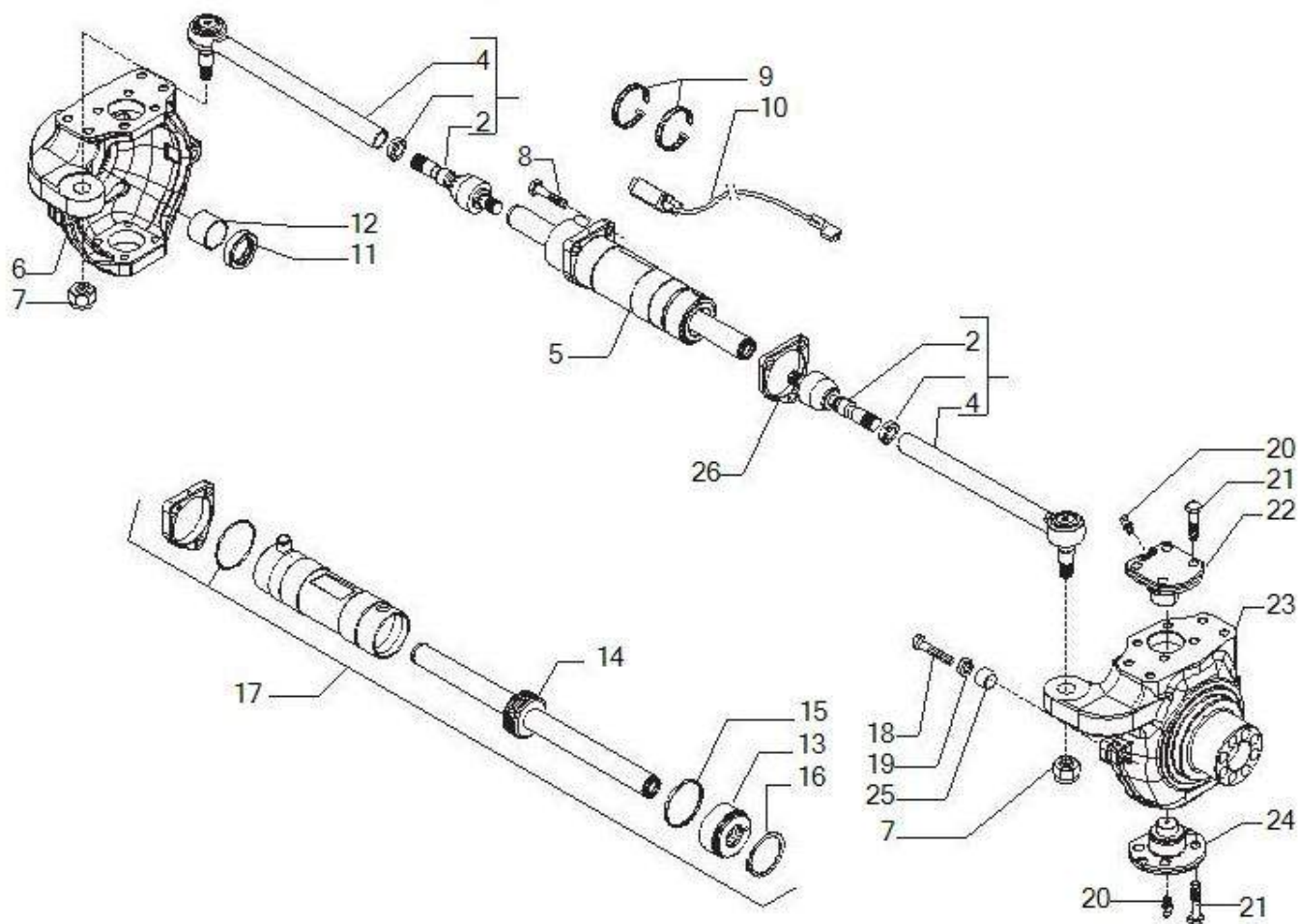
7.1 Final reduction



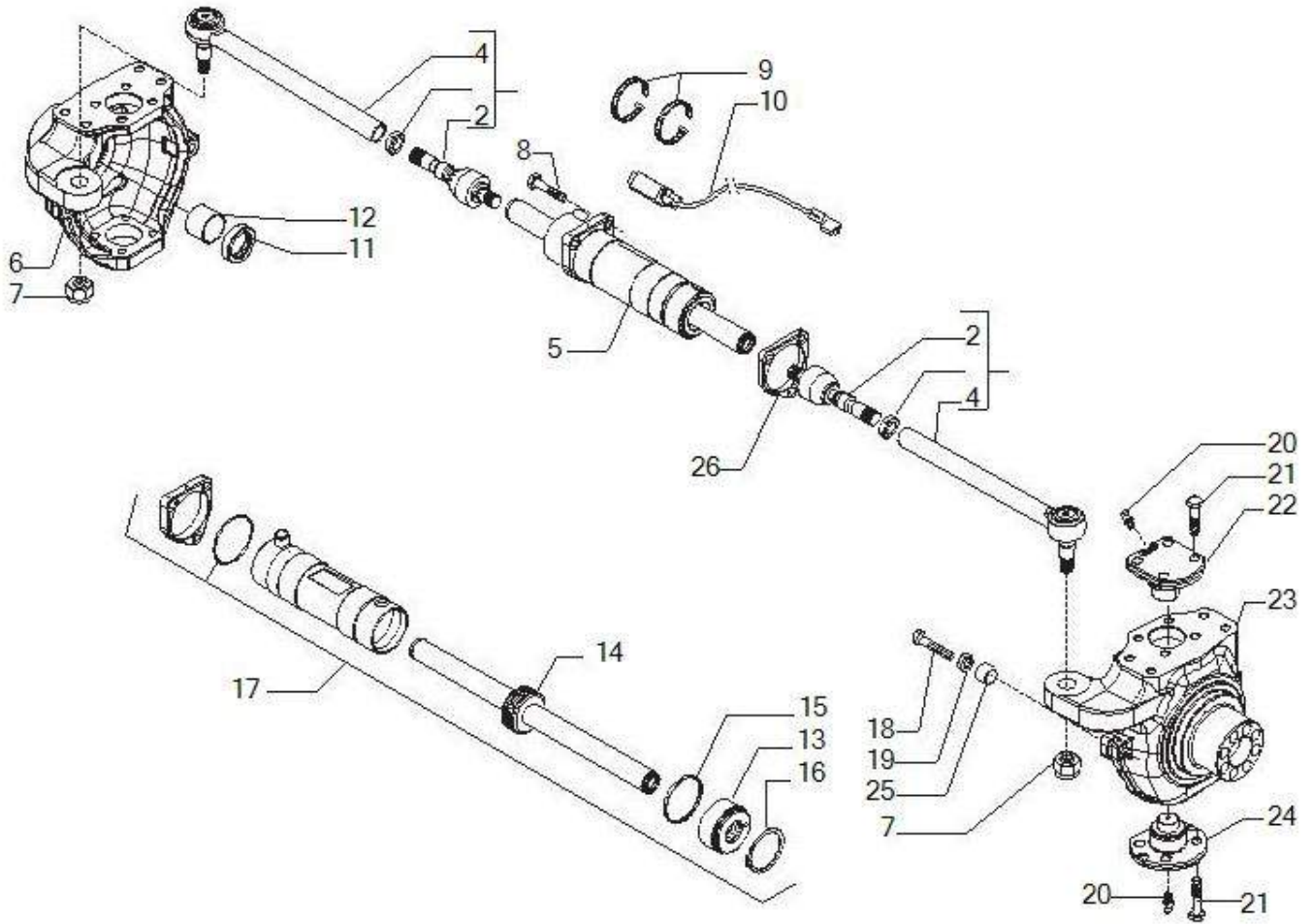
Pos	Ref	Qty	Description	Kit	Note
1	145435	1	BEAM (012656)		
2	104988	1	BREATHER M10X1		
3	92270	2	Oil plug M22x1,5		
4	132512	1	SWING BUSHING 120X130X42		
5	131762	1	SWING BUSHING 110X120X46		
6	150031	1	THRUST SHOE 110.5X154X5		
7	134714	1	AXLE SUPPORT Front		
8	116529	4	BUSH 30X21X16.5		
9	24258	2	LUBRIFICATING NIPPLES M8x1con.CH9 Acc.Zn		
10	120780	1	HEX HEAD SCREW C40 M16		
11	128632	2	BELLEVILLE WASHER 90x46x2.5		
12	45166	2	KING PIN BUSH 45X62X22		
13	118547	2	BUSHING 42X46X32 P AB C		
14	139101	2	COMBI RING 42X62X21.5 SF6		
15	45160	2	Spherical bearing		
16	128631	2	BELLEVILLE WASHER 76x56.5x1		
17	137944	1	I.S.C.DIFF.SUPPORT (011705)		
18	126022	4	HEX HEAD FLANGE SCREW M14X2X75 12.9 GRIF	137944	
19	72235	4	Centering bush	137944	
20	87660	2	PARALLEL PIN 15X35		
21	126334	5	HEX HEAD FLANGE SCREW		
22	125827	5	HEX HEAD FLANGE SCREW M12X1.75X29 12.9 C		
23	116530	1	DRILLED SCREW		
24	124591	1	THRUST SHOE 115.5X154X5		
25	123475	1	SWING BUSHING 125X135X42		



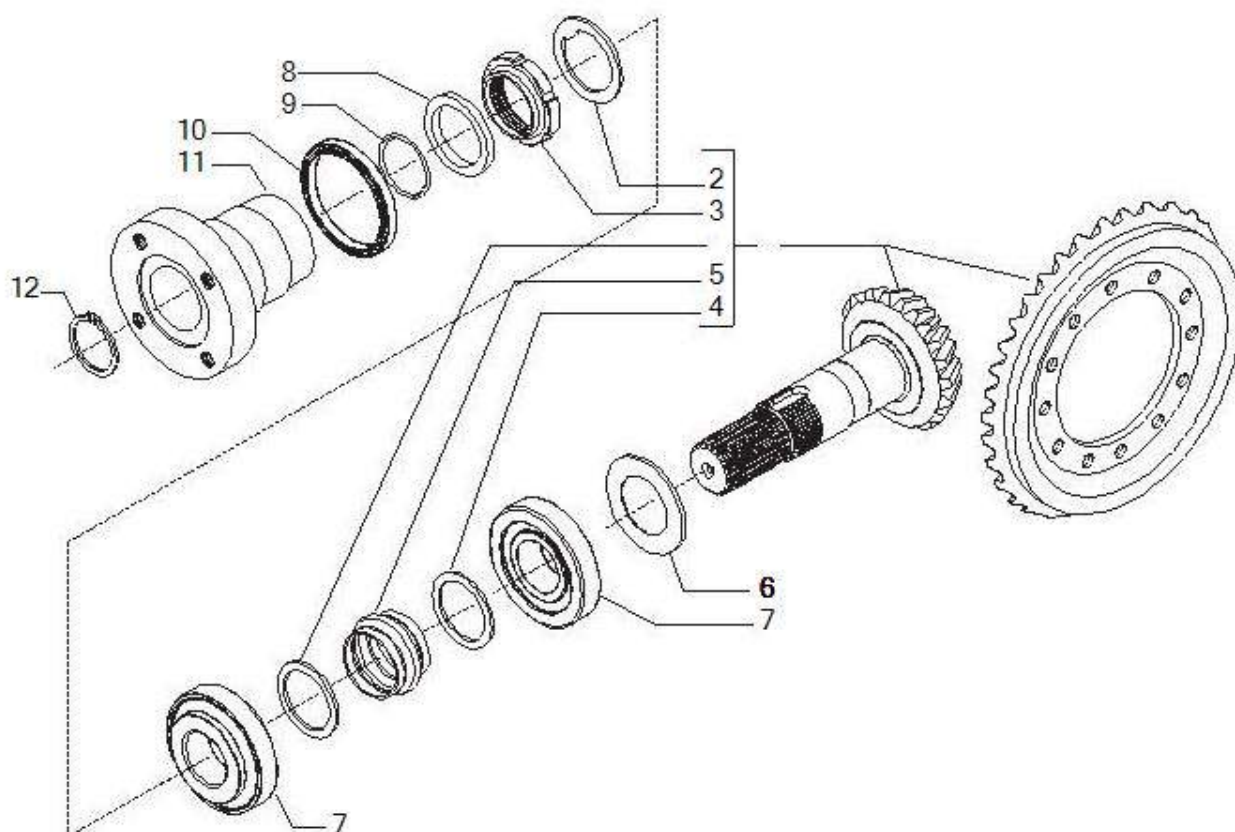
Pos	Ref	Qty	Description	Kit	Note
26	28498	1	O-RING 125x2		
27	124592	1	SWING BUSHING 115X125X44		



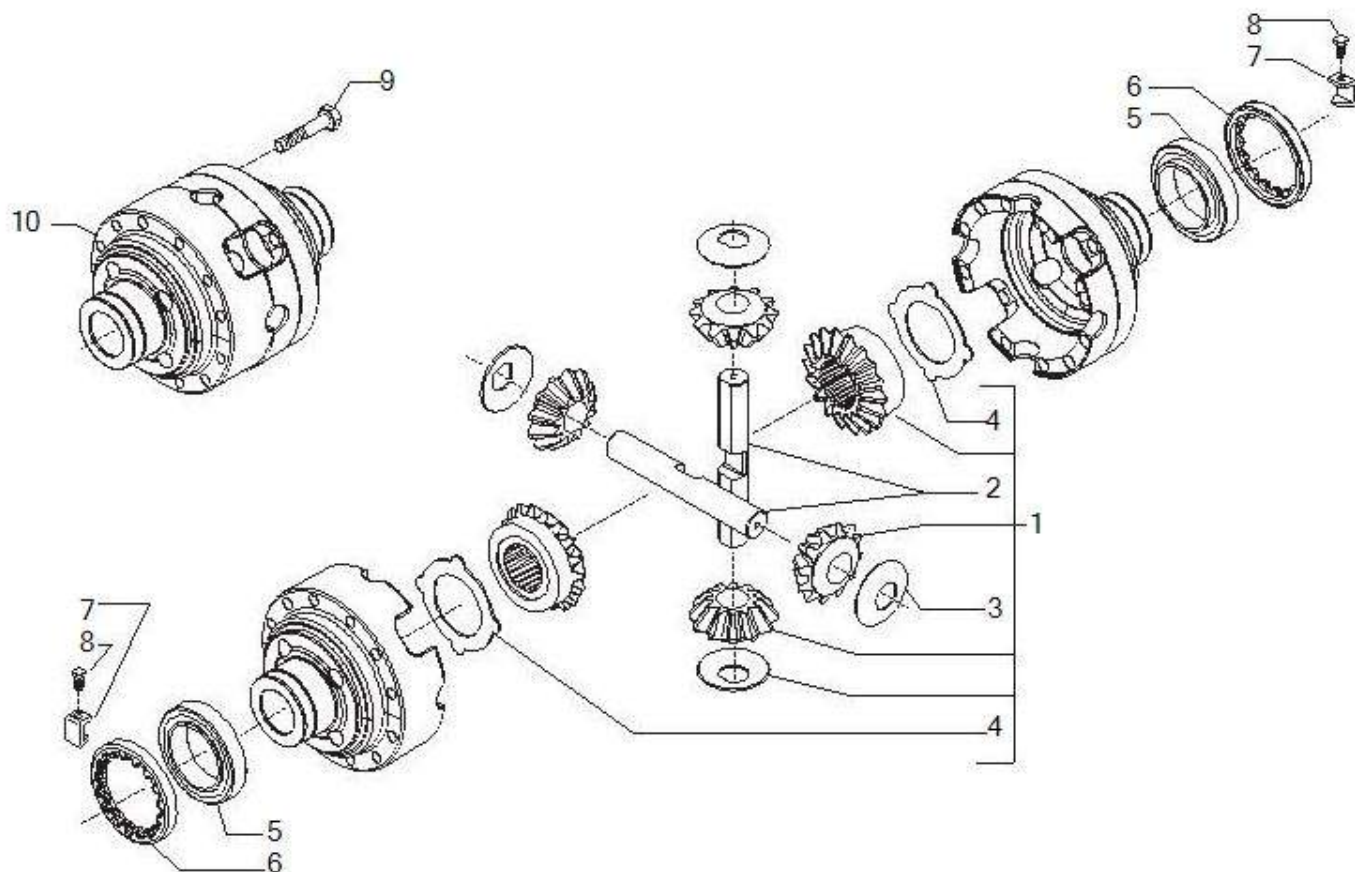
Pos	Ref	Qty	Description	Kit	Note
	49013	1	Ball joint	135578	
	49029	1	Tie rod	135578	
1	135578	2	STEERING ROD		
3	70787	2	Nut M24x1.5	135578	
5	137178	1	MARTINETTO 85-38-200 INOX		
6	145021	1	SWIVEL HOUSING		
7	22431	2	SELF-LOCKING NUT UNI 7474		
8	21097	3	Bolt M12x55		
9	28352	2	Clamp		
10	136774	1	SENSORE MAGN. CAVO L700		
11	140224	2	SEAL RING 48X65X16.5 SF6		
12	125161	2	BUSHING 48X53X40		
13	49138	1	Cylinder head	137178	
14	49074	1	Rod	137178	
15	49314	1	Magnetic ring	137178	
16	49333	1	Snap ring	137178	
17	49226	1	Oil seal kit	137178	
18	123206	4	HEX HEAD SCREW M14X95		
19	22131	4	Nut M14		
20	24210	4	LUBRIFICATING NIPPLES M6x1con.CH7 Acc.Zn		
21	126923	16	SELF-LOCKING SCREW M16X2X38 10.9 ACCIAIO		
22	130631	2	SWIVEL HOUSING KING PIN (17599)		
23	145022	1	SWIVEL HOUSING		
24	130632	2	SWIVEL HOUSING KING PIN (17596)		
25	120387	4	SPACER		



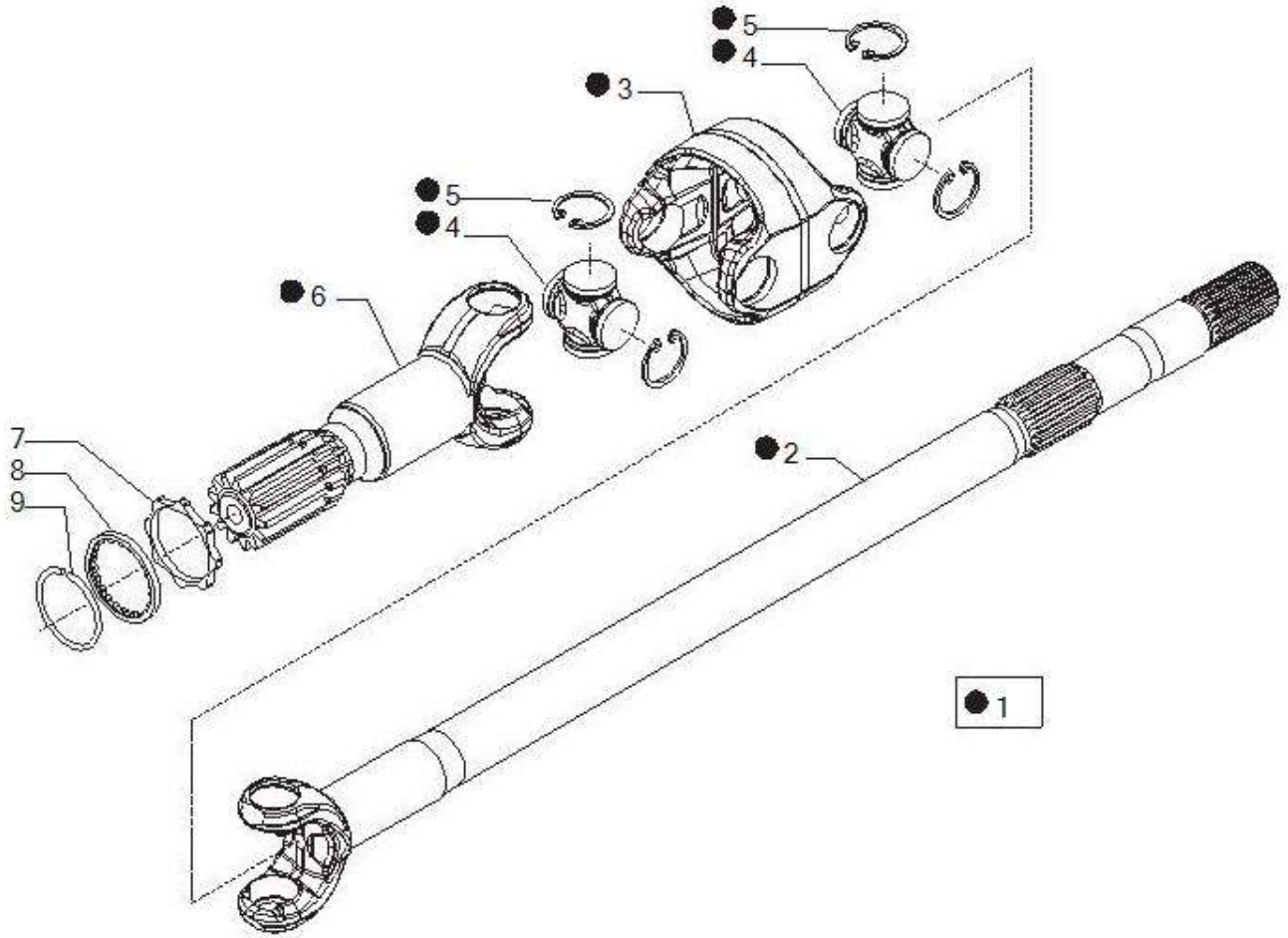
Pos	Ref	Qty	Description	Kit	Note
26	137945	1	FLANGIA		



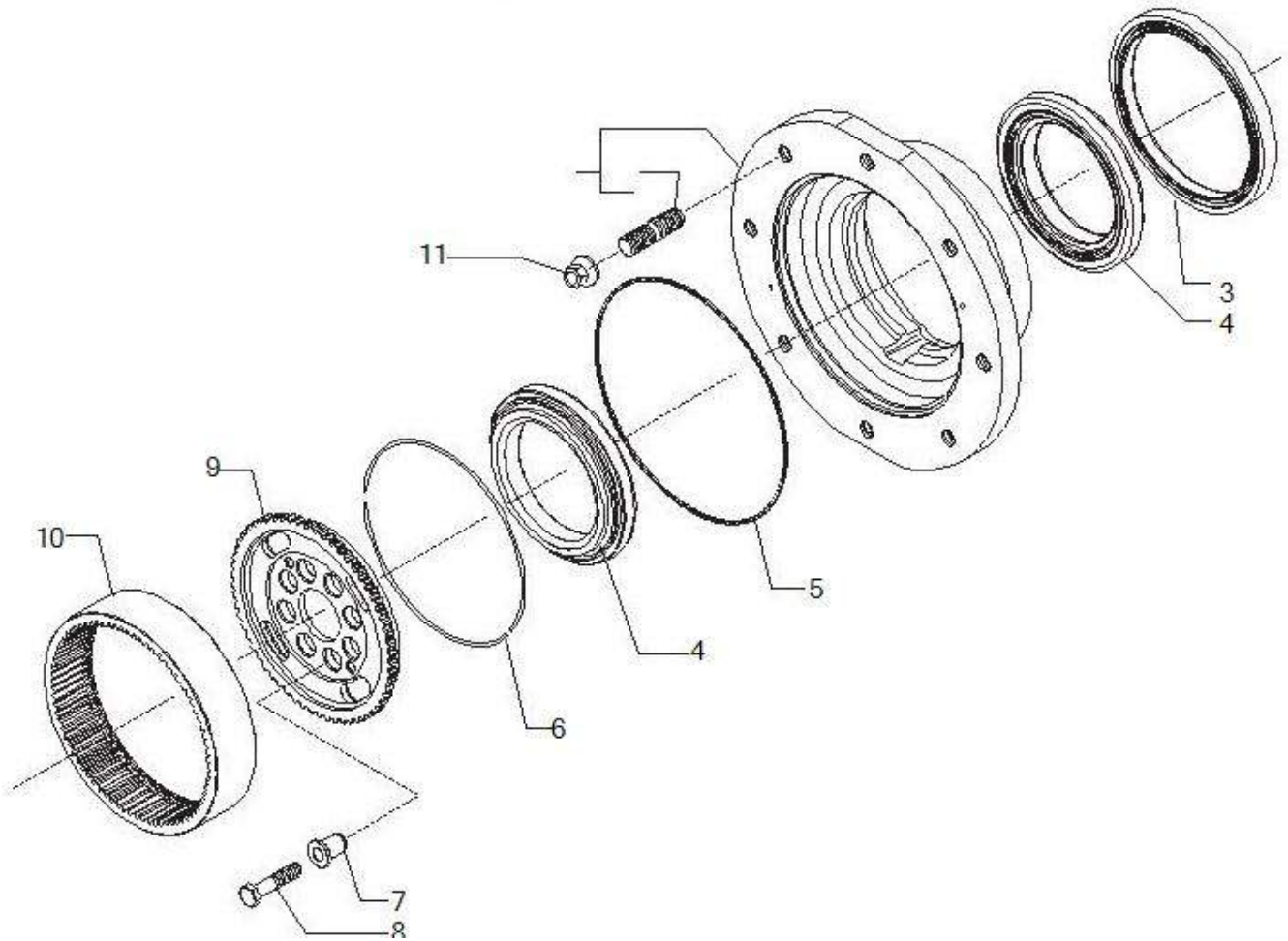
Pos	Ref	Qty	Description	Kit	Note
1	66093	1	Bevel gear/Pinion Z13/31		
2	113717	1	SAFETY WASHER	66093	
3	115054	1	RING NUT M40X1.5	66093	
4	125829	2	THRUST SHOE 40.5X50X2	66093	
5	125806	1	ELASTIC SPACER 45X42X22.7	66093	
6	132265	1	SHIM 63X40.3X2.5		
6	132266	1	SHIM 63X40.3X2.6		
6	132267	1	SHIM 63X40.3X2.7		
6	132268	1	SHIM 63X40.3X2.8		
6	132269	1	SHIM 63X40.3X2.9		
6	132270	1	SHIM 63X40.3X3		
6	132271	1	SHIM 63X40.3X3.1		
6	132272	1	SHIM 63X40.3X3.2		
6	132273	1	SHIM 63X40.3X3.3		
6	132274	1	SHIM 63X40.3X3.4		
7	27350	2	Bearing		
8	123402	1	WASHER C70 UNI 3545-68A NASTRO TEMPRATO		
9	28532	1	O.ring		
10	145050	1	CASSETTE RAD.SHAFT SEALX/ 65X92X10/15		
11	132943	1	FLANGIA SAE 1410		
12	24789	1	Snap ring		



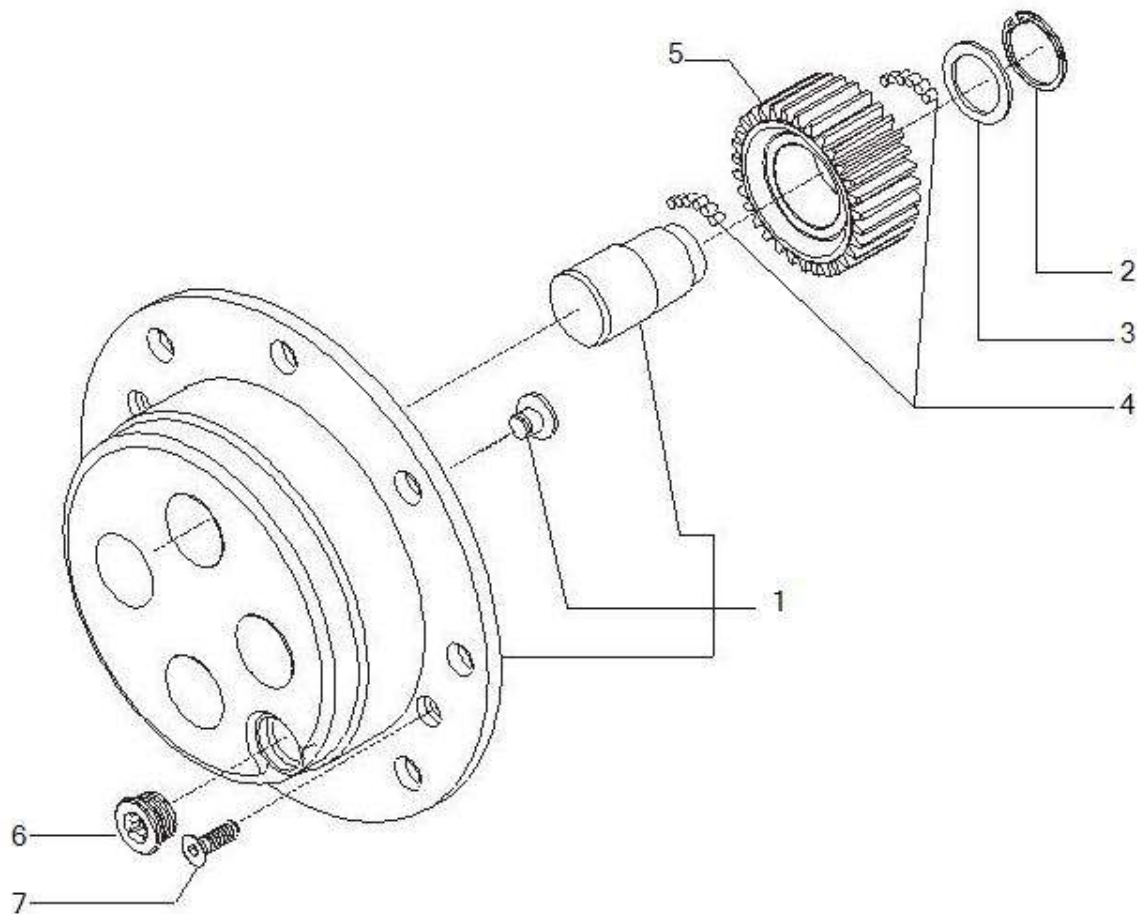
Pos	Ref	Qty	Description	Kit	Note
1	66186	1	Differential kit		
2	116369	2	DIFF.PLANET.GEAR PIN	66186	
3	115730	4	SPHERICAL WASHER washer 22.1X42X1.5 CuSn	66186	
4	120361	2	COUNTERPLATE Diff. locking SP. 1.5	66186	
5	27256	2	TAPE ROLLER THRUST BEARING 32011X 90X55X		
6	125792	2	RING NUT M94X2 MPIF FC 0208 R		
7	107778	2	RING NUT STOP		
8	128440	2	SELF-LOCKING SCREW M6X10 10.9		
9	125552	12	HEX HEAD SCREW M10X1.5X75 12.9 ATB		
10	147106	1	COMPLETE DIFF.HOUSING		



Pos	Ref	Qty	Description	Kit	Note
1	146978	2	DOUBLE U-JOINT B320 55 DF		
2	44162	4	Fork (diff. side)	146978	
3	46220	4	Central body	146978	
4	46221	8	Spider	146978	
5	46222	32	Lockring	146978	
6	44163	4	Fork (wheel side)	146978	
7	132165	2	THRUST WASHER 45.3X60X2.5 MAT101 CARRARO		
8	146944	2	TOOTHED WASHER 44.6X52X7		
9	143597	2	RING 38.5X3		



Pos	Ref	Qty	Description	Kit	Note
1	68313	2	Wheel hub kit		
2	130679	32	STUD 8.8 L76 R18X2.5X18.7 D18X1.5X4	68313	
3	47702	2	Seal ring		
4	45180	4	TAPE ROLLER THRUST BEARING 158.75X109.53		
5	28668	2	O.ring		
6	125344	2	CIRCLIP 188.7X3.5		
7	141196	16	CENTERING BUSH		
8	140259	16	SELF-LOCKING SCREW M12X45 10.9		
9	134298	2	EPIC. WHEEL CARRIER HUB		
10	134299	2	EPICYCLOIDAL RING GEAR		
11	121746	16	WHEEL NUT DIN 74361 M18X1.5 10		



Pos	Ref	Qty	Description	Kit	Note
1	66287	2	Planetary carrier assy		
2	24793	8	Snap ring		
3	135366	8	FIFTH WHEEL 38.1X45X2.4		
4	28370	44.80	CYLINDRICAL ROLLER 5x10 (TENS OF 134350)		
5	135947	8	EPIC.PLANETARY GEAR Z23 M3 L40.6		
6	125280	2	MAGNETIC PLUG M30X2		
7	20490	4	COUNTERSUNK HEAD SCREW UN		