

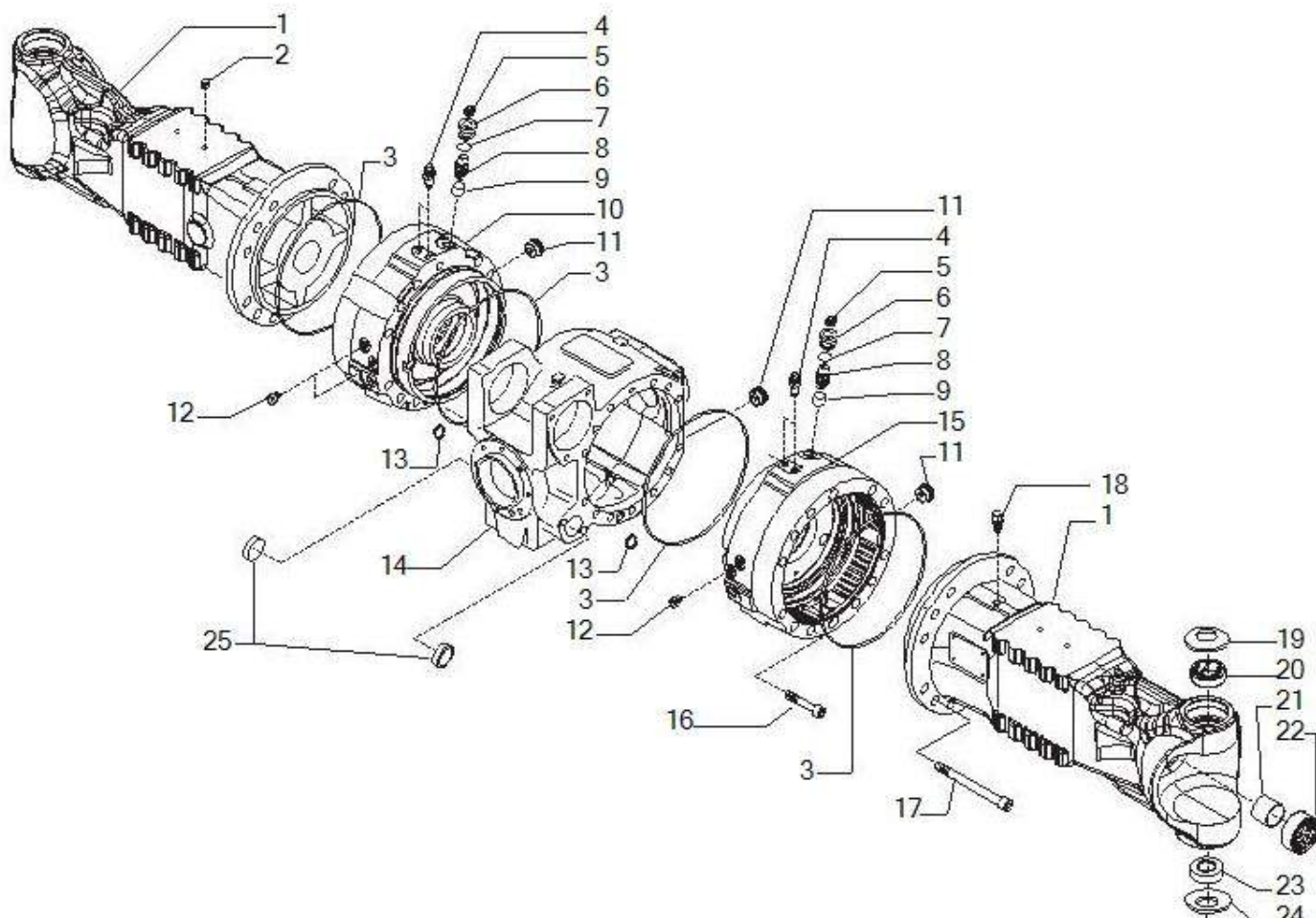


## **Spare parts catalogue**

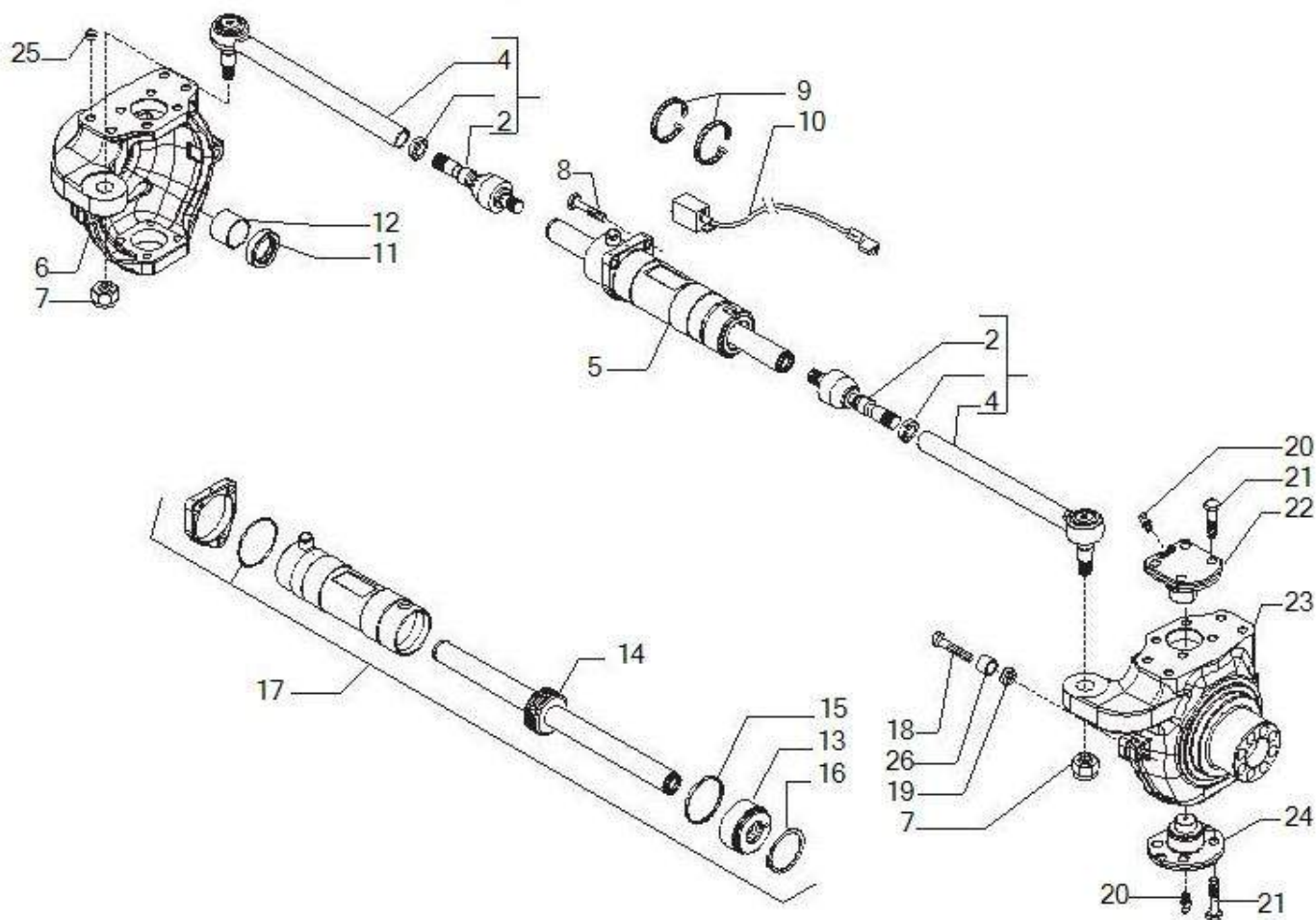
**AXLE 26.25M+TB172\_(CM9916)**

**REF: 642987**

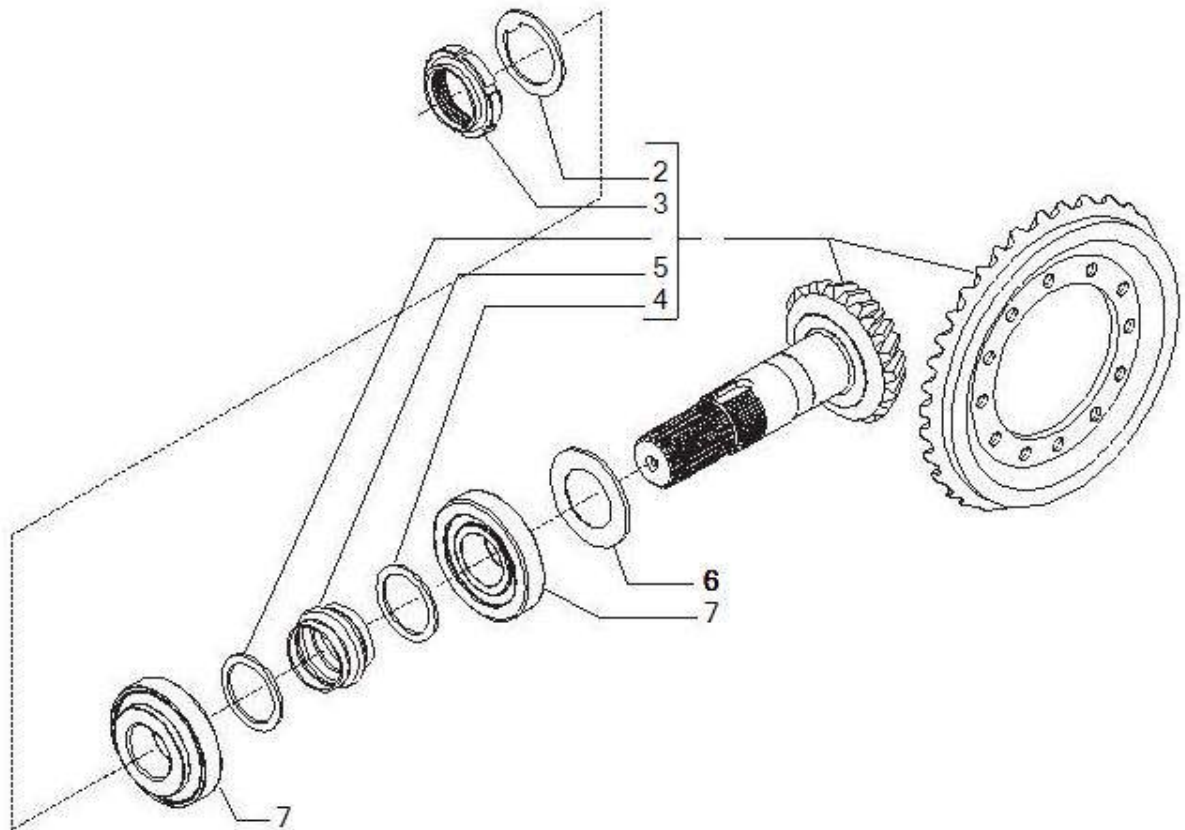
- 1.1 Axle housing**
- 2.1 Swivel housings and steering cylinder**
- 3.1 Bevel gear set**
- 4.1 Differential**
- 5.1 Double U-joint**
- 6.1 Brakes**
- 7.1 Wheel hub**
- 8.1 Final reduction**
- 9.1 Transmission housing**
- 10.1 Shaft and gears**



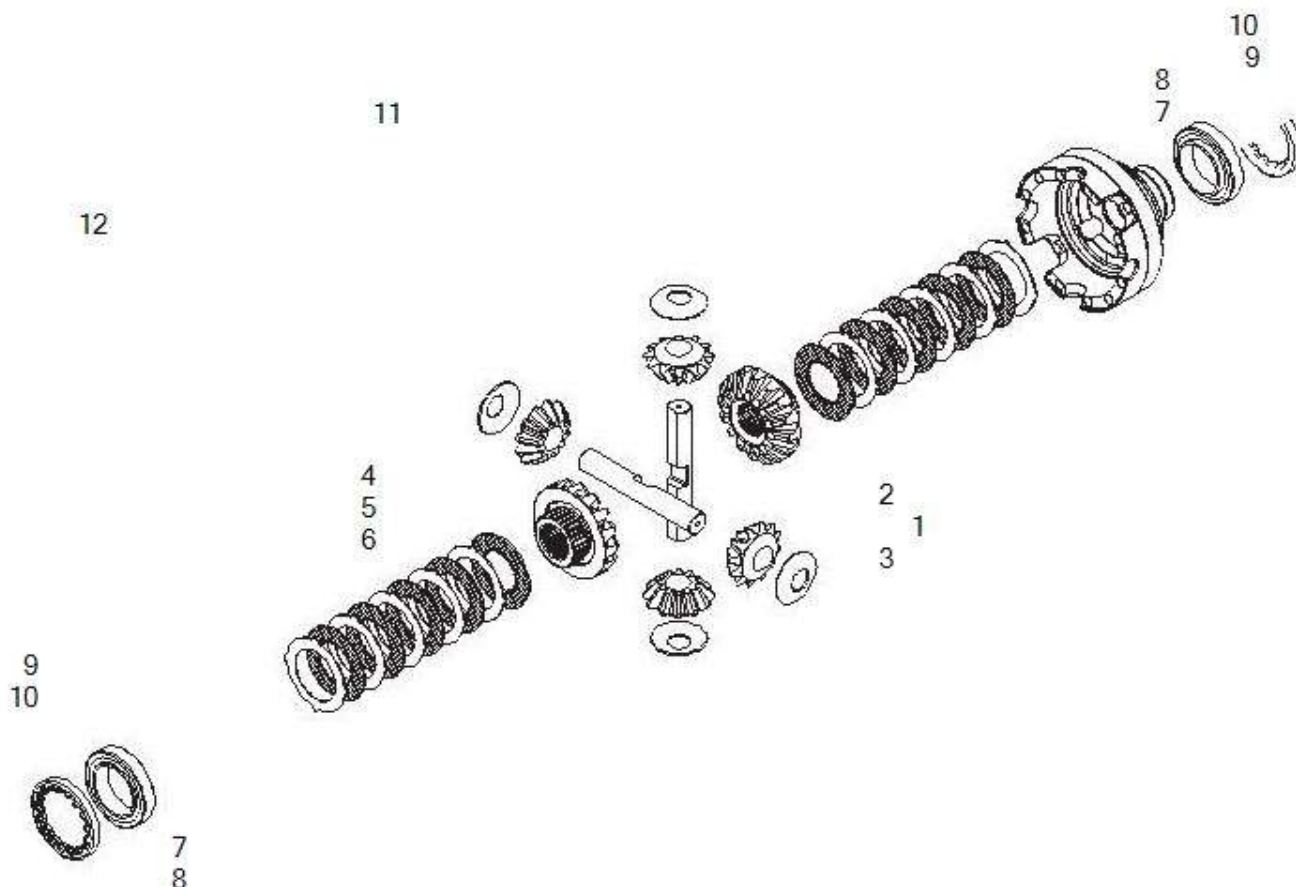
<b>Pos</b>	<b>Ref</b>	<b>Qty</b>	<b>Description</b>	<b>Kit</b>	<b>Note</b>
1	146014	2	BEAM TRUMPET 26.20 (11527) M		
2	21494	4	SLOTTED SET SCREW UNI 5929 M10X10 45H		
3	28562	4	O-RING 4900 2-270 228.19X		
4	116792	4	BREATHER M10X1		
5	21567	6	Plug M16x1.5		
6	139922	6	SCREW M22X1.5 / VITE SPECIALE		
7	28534	6	O-RING 115 5-615 11.91x2.62 -		
8	136152	6	SCREW M16X1.5		
9	139955	6	PIN		
10	139816	1	BRAKE CYLINDER LH (10755)		
11	125280	3	MAGNETIC PLUG M30X2		
12	30740	4	PLUG KAPSTO 700 AM 10X1 GANDINI SR 1005-		
13	28111	2	O-RING - 119 5-243 15.08x2.62 NBR		
14	140520	1	CORPO CENTR. TRAVE 11151		
15	139815	1	BRAKE CYLINDER RH (10755)		
16	21334	2	HEX SOCKET HEAD CAP SCREW		
17	21364	24	Bolt M16x150		
18	104988	1	BREATHER M10X1		
19	128632	2	BELLEVILLE SPRING 90x46x2.5 lo5.7 / MOLL		
20	45166	2	KING PIN BUSH 45X62X22		
21	118547	2	BUSHING 42X46X32 P AB C		
22	139101	2	COMBI RING 42X62X21.5 SF6		
23	45160	2	SPHERICAL BALL INA-GE 35 SX V-418		
24	128631	2	BELLEVILLE SPRING 76x56.5x1 lo2.5 / MOLL		
25	130667	2	PLUG UNI 5866 D42X12 FeP 02 UNI 5866		



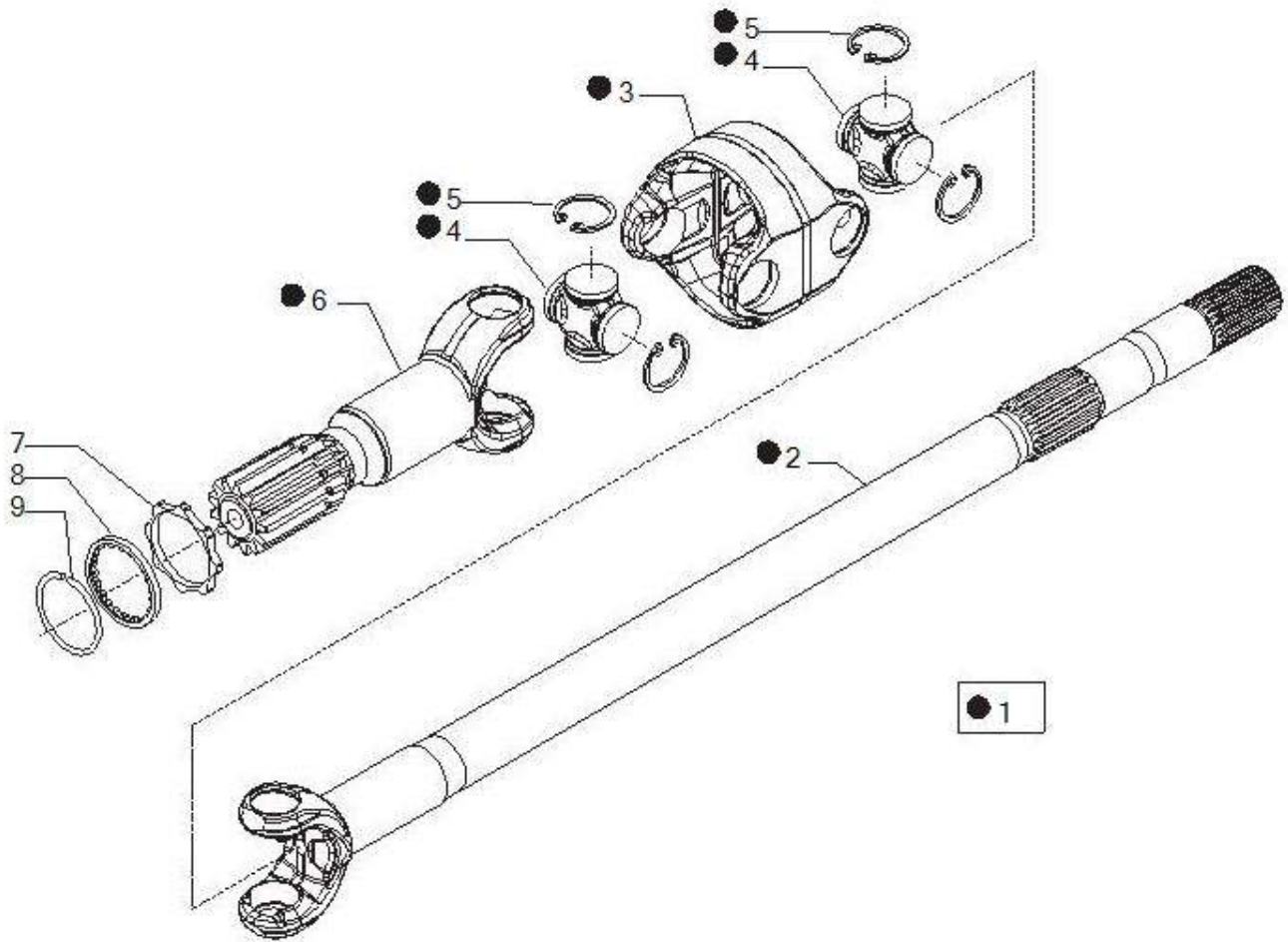
Pos	Ref	Qty	Description	Kit	Note
	49013	1	BALL JOINT D40 DX 38g		
	49029	1	Tie rod		
1	135578	2	STEERING ROD		
3	70787	2	HEXAGON NUT UNI 5589 M24X1.5 8 - -		
5	137177	1	STEERING CYLINDER IN 85-38-200 S		
6	145021	1	SWIVEL HOUSING		
7	22431	2	SELF-LOCKING NUT UNI 7474		
8	128534	3	SELF-LOCKING SCREW M12X45 10.9 - -		
9	28352	2	Clamp		
10	137179	1	CENTER DETECTION SWITCH		
11	140224	2	SEAL RING 48X65X16.5 SF6		
12	125161	2	BUSHING 48X53X40		
13	49138	1	Cylinder head		
14	49074	1	ROD		
15	49314	1	MAGNETIC RING - 479000100		
17	49226	1	SEAL KIT		
18	123206	4	HEX HEAD SCREW M14X95		
19	22131	4	HEXAGON NUT ISO 4035 M14X		
20	24210	4	LUBRIFICATING NIPPLES M6x1con.CH7 Acc.Zn		
21	126923	16	SELF-LOCKING SCREW M16X2X38 10.9 ACCIAIO		
22	130631	2	SWIVEL HOUSING KING PIN (		
23	145022	1	SWIVEL HOUSING		
24	130632	2	SWIVEL HOUSING KING PIN (		
25	30755	8	PLASTIC PLUG D14.5		
26	126003	4	BUSH 25X14.5 / BUSSOLA		



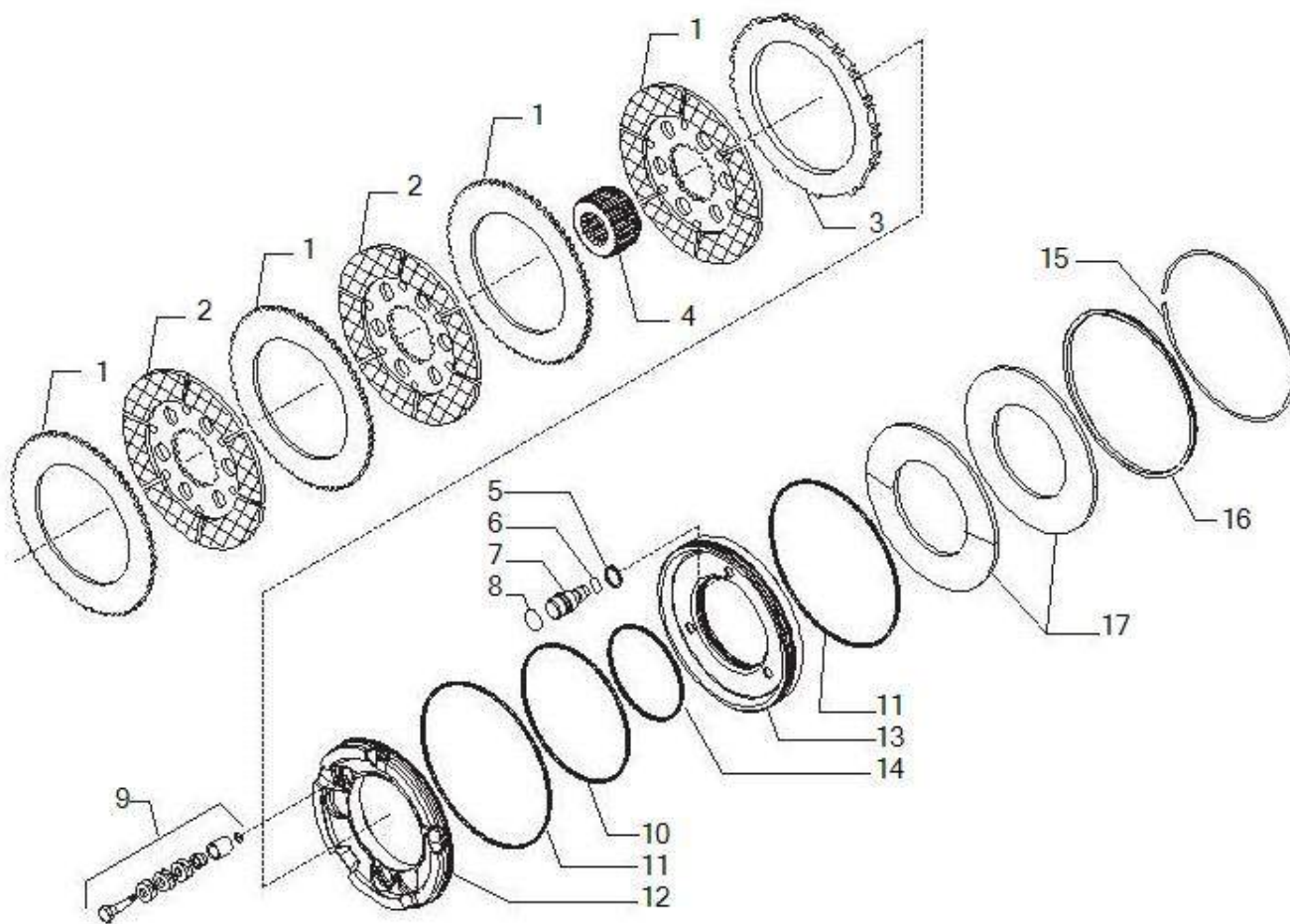
<b>Pos</b>	<b>Ref</b>	<b>Qty</b>	<b>Description</b>	<b>Kit</b>	<b>Note</b>
1	66090	1	BEVEL GEAR PINION KIT 13/31		
2	113717	1	WASHER 41X69X2 /RONDELLA FERMO GHIERA PI		
3	115054	1	RING NUT M40X1.5		
4	125829	2	THRUST SHOE 40.5X50X2 MAT101 CARRARO STD		
5	125806	1	ELASTIC SPACER 45X42X22.7		
6	132265	1	SHIM 63X40.3X2.5		
6	132266	1	SHIM 63X40.3X2.6		
6	132267	1	SHIM 63X40.3X2.7		
6	132268	1	SHIM 63X40.3X2.8		
6	132269	1	SHIM 63X40.3X2.9		
6	132270	1	SHIM 63X40.3X3		
6	132271	1	SHIM 63X40.3X3.1		
6	132272	1	SHIM 63X40.3X3.2		
6	132273	1	SHIM 63X40.3X3.3		
6	132274	1	SHIM 63X40.3X3.4		
7	27350	2	TAPE ROLLER THRUST BEARING 31308 90X40X2		



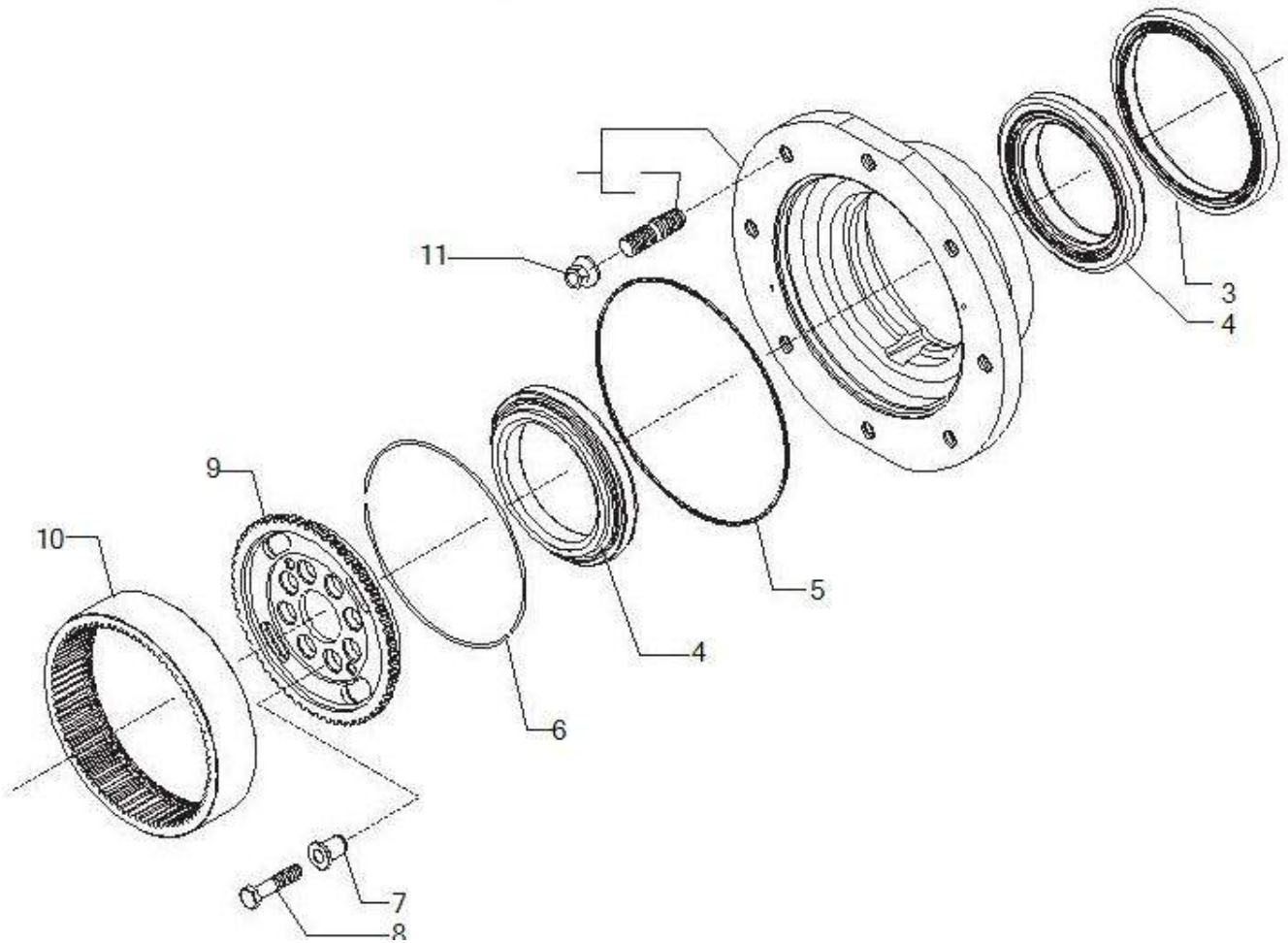
<b>Pos</b>	<b>Ref</b>	<b>Qty</b>	<b>Description</b>	<b>Kit</b>	<b>Note</b>
1	66185	1	DIFF. GEARS KIT		
2	116369	2	DIFF.PLANET.GEAR PIN D22		
3	115730	4	SPHERICAL WASHER washer 22.1X42X1.5 -		
4	110642	2	DISC BLOCC. DIFF.-FRICTION DISC		
5	110643	10	COUNTERPLATE Diff. locking SP. 1.5		
6	110644	8	DISC Diff. locking -FRICTION DISC		
7	27256	2	TAPE ROLLER THRUST BEARING 32011X 90X55X		
8	125792	2	RING NUT M94X2 MPIF FC 0208 R		
9	136156	2	RING NUT STOP		
10	128440	2	SELF-LOCKING SCREW M6X10 10.9 10.9 UNI E		
11	125552	12	HEX HEAD SCREW M10X1.5X75 12.9 ACCIAIO 1		
12	147106	1	COMPLETE DIFF.HOUSING		



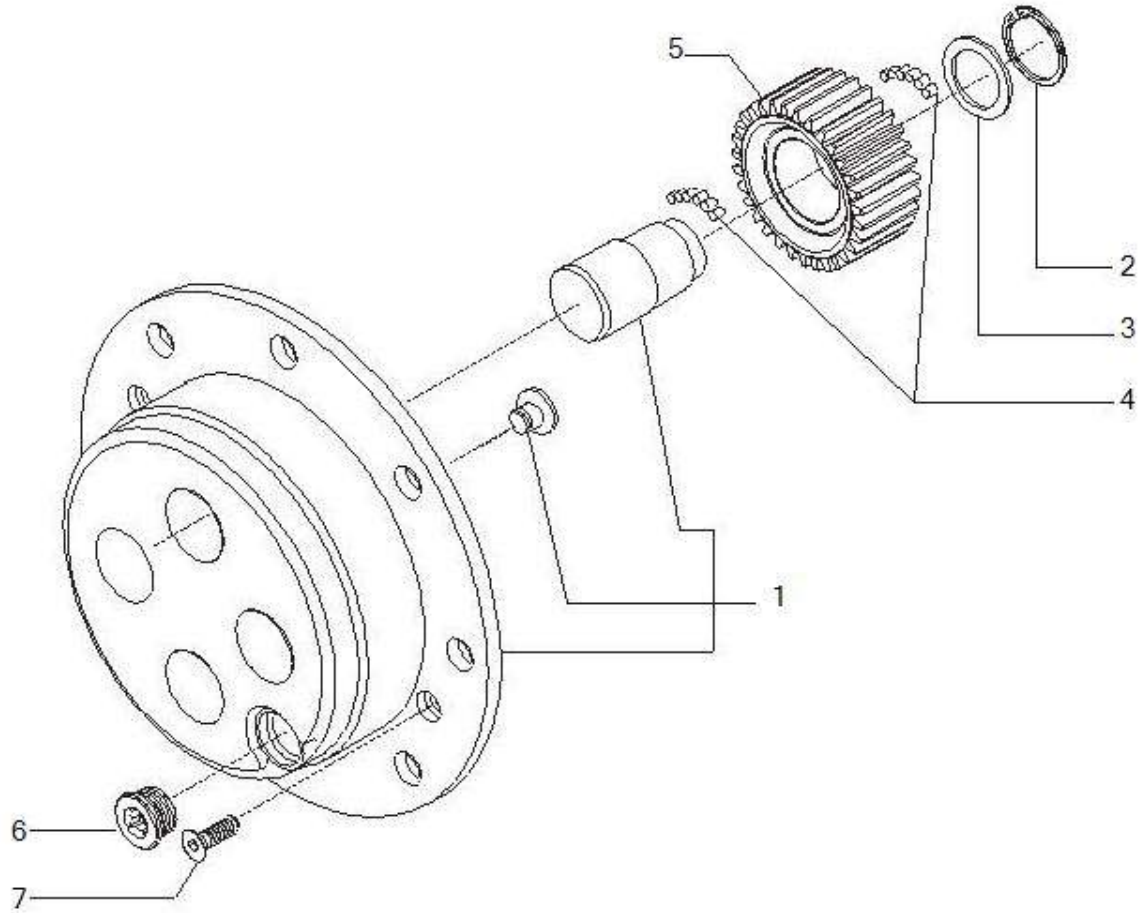
Pos	Ref	Qty	Description	Kit	Note
1	146978	2	DOUBLE U-JOINT B320 55 DF		
2	44162	4	Fork (diff. side)		
3	46220	4	Central body		
4	46221	8	SPIDER 0.110.018.0015		
5	46222	32	Lockring		
6	44163	4	Fork (wheel side)		
7	132165	2	THRUST WASHER 45.3X60X2.5		
8	146944	2	TOOTHED WASHER 44.6X52X7 / RONDELLA DENT		
9	143597	2	RING 38.5X3		



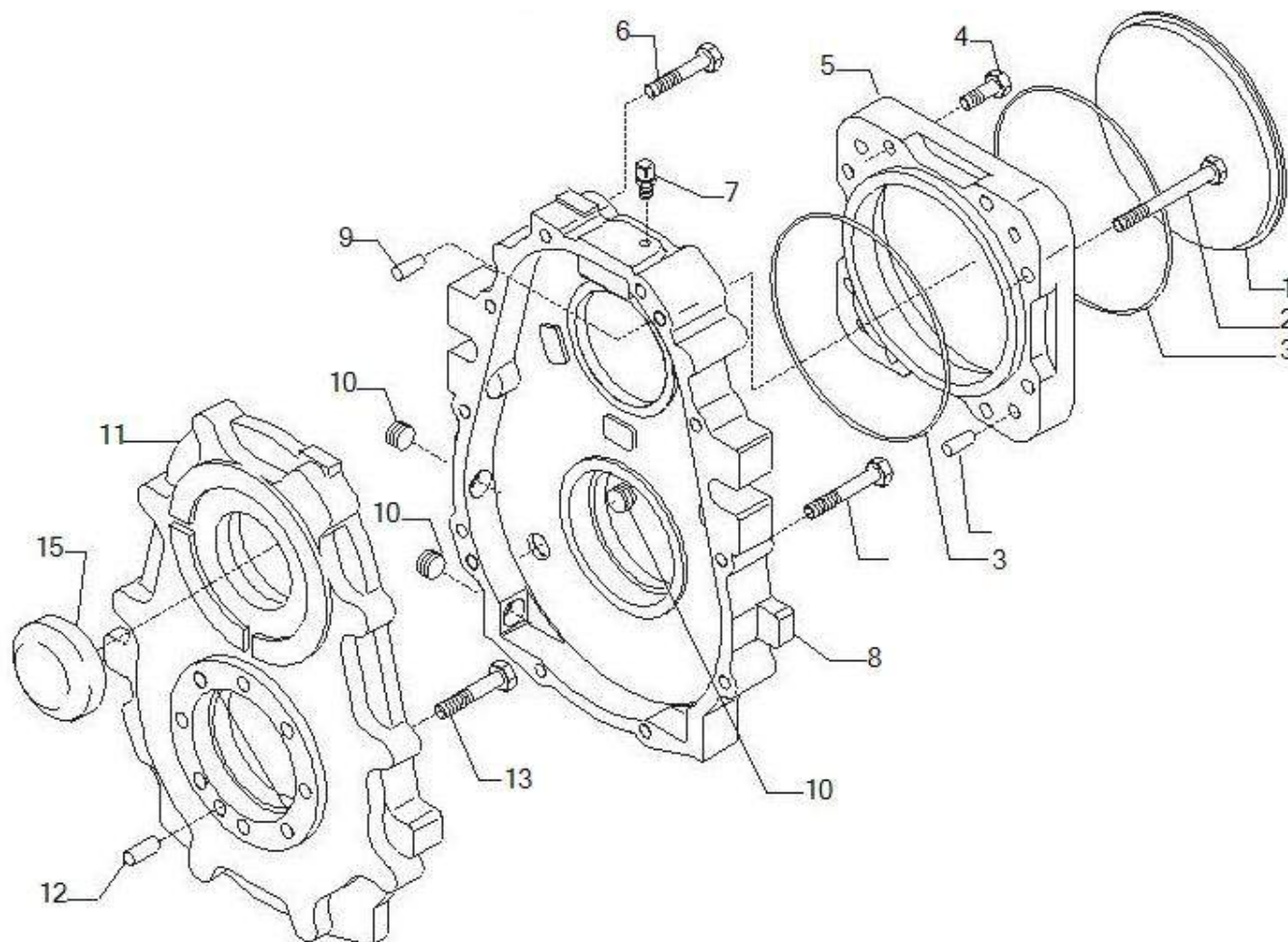
<b>Pos</b>	<b>Ref</b>	<b>Qty</b>	<b>Description</b>	<b>Kit</b>	<b>Note</b>
1	136155	6	COUNTERPLATE Brake		
2	136112	6	BRAKE DISC Y 611-2		
3	136644	2	COUNTERPLATE Brake 011319		
4	136648	2	DISC TOW SLEEVE		
5	24782	6	Washer		
6	141936	6	O-RING 2037 9.25x1.78 VITON 75 SHORE A		
7	145815	6	THRUST PIVOT		
8	141935	6	O-RING 3062 15.54x2.62 VITON 90 SHORE		
9	66573	2	SELF-ADJUST KIT		
10	141939	2	O-RING 164.69x3.53 FKM 90		
11	141937	4	O-RING 202.79x3.53 VITON 90 SHORE		
12	135966	2	POSITIVE BRAKE PISTON (11622)		
13	135965	2	NEGATIVE BRAKE PISTON 11621		
14	141938	2	O-RING 117.07x3.53 - VITON 90 SHORE		
15	135572	2	CIRCLIP 238X3.2 ACCIAIO C72 UNI 3545 TE		
16	135998	2	RING MAT 202 CARRARO STD. 1-00004		
17	135964	4	BELLEVILLE WASHER 210x120x6 50CrV4 UNI 7		



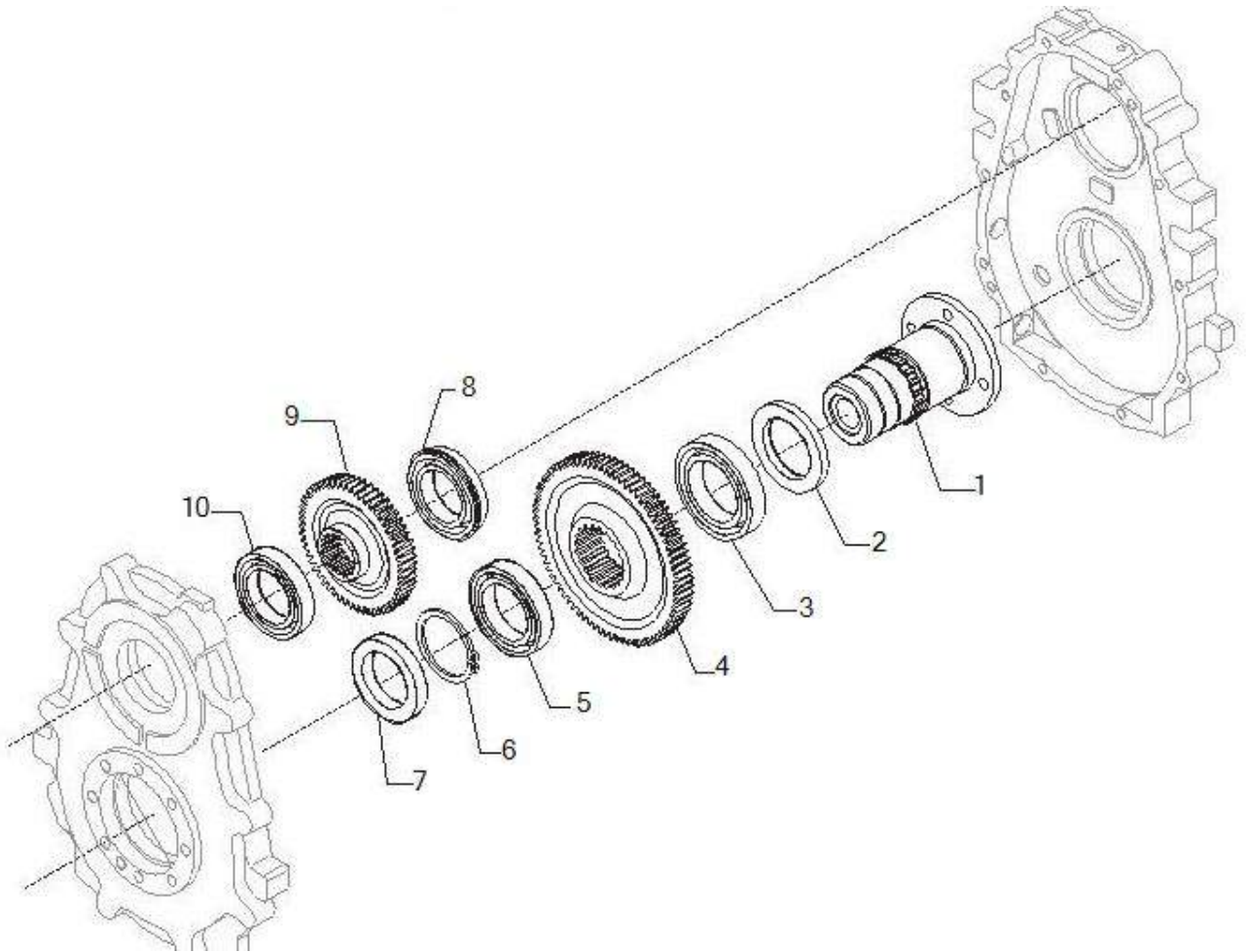
<b>Pos</b>	<b>Ref</b>	<b>Qty</b>	<b>Description</b>	<b>Kit</b>	<b>Note</b>
1	68313	2	Wheel hub kit		
2	130679	32	STUD ACCIAIO CL. 8.8 UNI EN 20898 B5-CAR		
3	47702	2	SEAL RING 150-180-14 5/16		
4	45180	4	TAPE ROLLER THRUST BEARING 158.75X109.53		
5	28668	2	O.ring		
6	125344	2	CIRCLIP 188.7X3.5 FILO B 3.5 UNI 3823		
7	141196	16	CENTERING BUSH		
8	140259	16	SELF-LOCKING SCREW M12X45 10.9 ACCIAIO 1		
9	134298	2	EPIC. WHEEL CARRIER HUB		
10	134299	2	EPICYCLOIDAL RING GEAR		
11	121746	16	WHEEL NUT M18X1.5 10		



<b>Pos</b>	<b>Ref</b>	<b>Qty</b>	<b>Description</b>	<b>Kit</b>	<b>Note</b>
1	66287	2	Planetary carrier assy		
2	24793	8	Snap ring		
3	135366	8	FIFTH WHEEL 38.1X45X2.4		
4	28370	44.80	CYLINDRICAL ROLLER 5x10 (TENS OF 134350)		
5	135947	8	EPIC.PLANETARY GEAR Z23 M		
6	125280	2	MAGNETIC PLUG M30X2		
7	20490	4	COUNTERSUNK HEAD SCREW UN		



<b>Pos</b>	<b>Ref</b>	<b>Qty</b>	<b>Description</b>	<b>Kit</b>	<b>Note</b>
1	641984	1	PLASTIC PLUG D180-SP2.5		
2	21434	2	Screw M10x90		
3	28611	2	O-RING 3700 177.47X2.62		
4	21412	6	Screw M10x35		
5	136878	1	MOTOR FLANGE (011687)		
6	20868	2	HEX HEAD SCREW UNI 5737 M10X75 8.8		
7	104988	1	BREATHER M10X1		
8	143678	1	TRANSMISSION HALF-HOUSING (019776)		
9	72259	2	PARALLEL PIN 10X25 C40 UNI EN 10083/1		
10	128050	3	TAPERED PLUG M24X1.5 5.8 EN ISO 898-1		
11	143677	1	TRANSMISSION HALF-HOUSING (019775)		
12	121710	1	PARALLEL PIN CARRARO STD N. 0-20-90 12X2		
13	21097	8	Bolt M12x55		
14	20864	6	HEX HEAD SCREW UNI 5737 M10X55 8.8		
15	109747	1	DRAWN PLUG D80X12		



<b>Pos</b>	<b>Ref</b>	<b>Qty</b>	<b>Description</b>	<b>Kit</b>	<b>Note</b>
1	131757	1	LOWER SHAFT CON FLANGIA SAE 1410		
2	25296	1	Oil seal ring		
3	25743	1	Bearing		
4	127959	1	GEAR Z65 M3.5		
5	25742	1	BALL BEARING 6013 100X65X		
6	24816	1	CIRCLIP DIN 471 65X2.5		
7	125442	1	SEAL RING 65X92X14 - B1DUOSF		
8	25820	1	BALL BEARING 6012 NR 95X6		
9	137589	1	GEAR Z32 M3.5		
10	25741	1	BALL BEARING 6012		