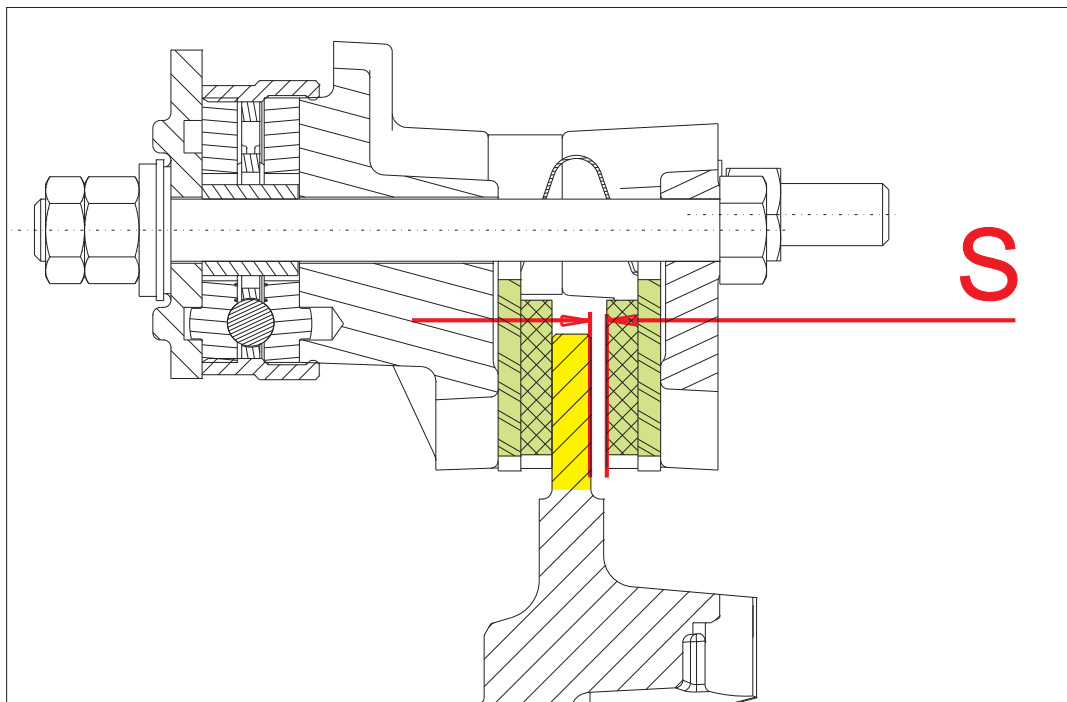


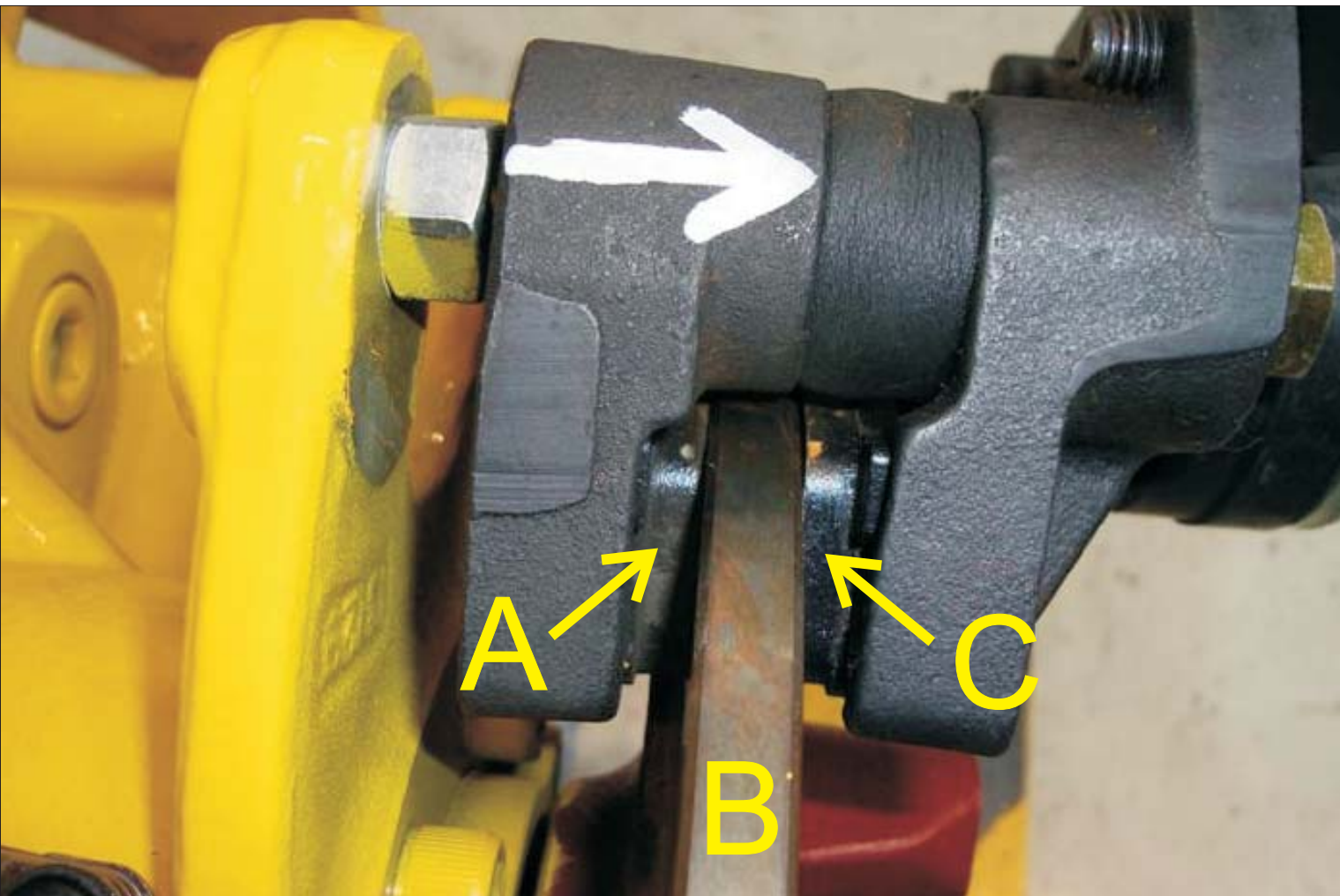


CARRARO DRIVETECH

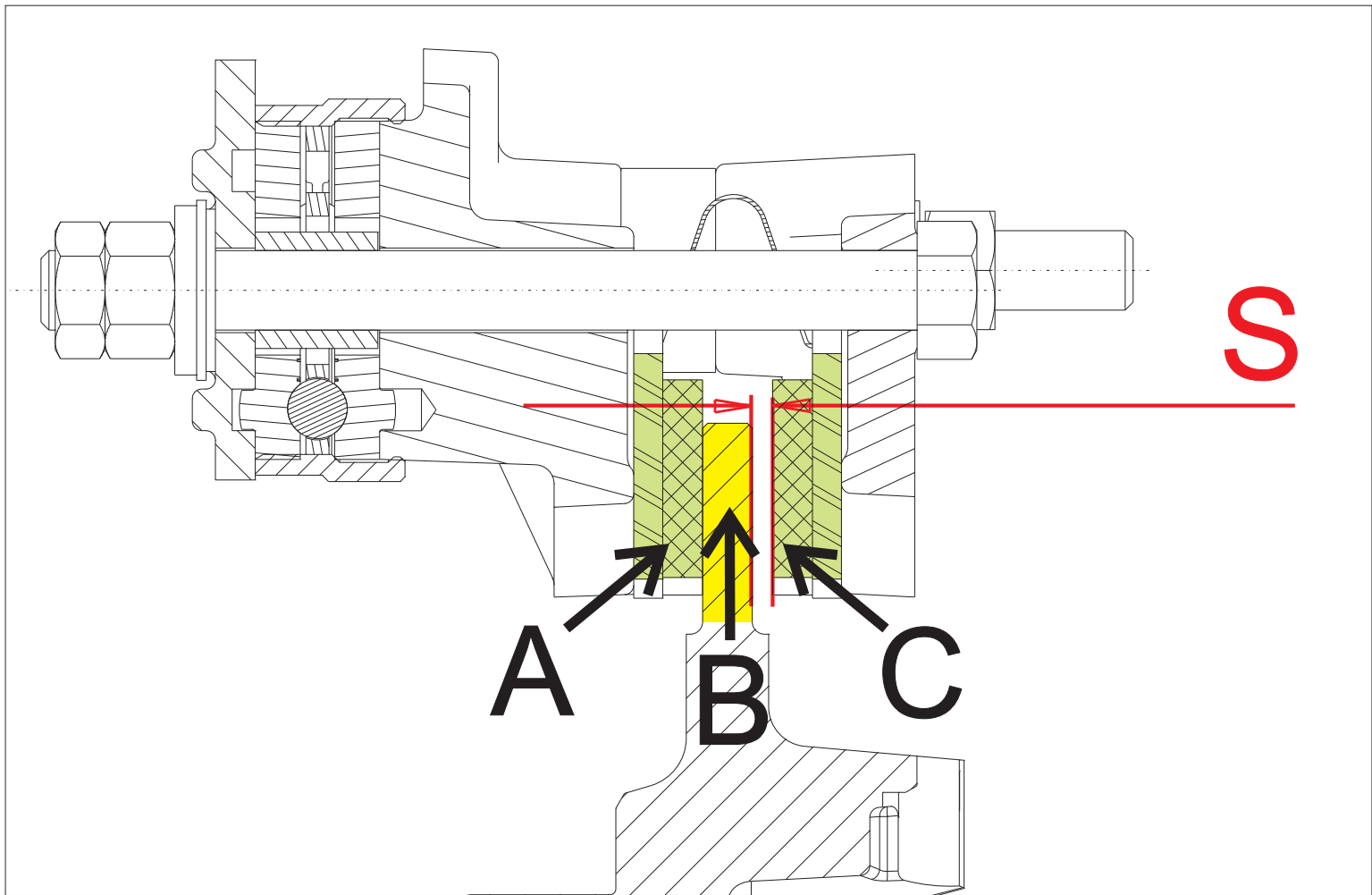
Procedure



**TOLERANCE LIMIT PRESCRIBED
BETWEEN PARKING BRAKE LINING AND BRAKE DISK**



**Push the parking brake
(see white arrow in photo)
to avoid the contact
between lining (A) and brake disk (B)
See also next picture.**



S : Tolerance limit prescribed between brake disk (B) and lining (C)

S : min. 0.70 mm
max. 0.90 mm

S : min. 0.027 inch
max. 0.035 inch



Use a thickness gauge and check the tolerance limit prescribed (**S**)

If **S** is not inside the tolerance prescribed screw or unscrew the 2 nuts (**N**) to avoid / adjust the correct tolerance. See repair manual of the brake caliper ref. CA149826

