



## **Spare parts catalogue**

**AXLE 28.43M**

**REF: 641370**

**ECO: 27256**

**1.1 Axle housing**

**2.1 Bevel gear set**

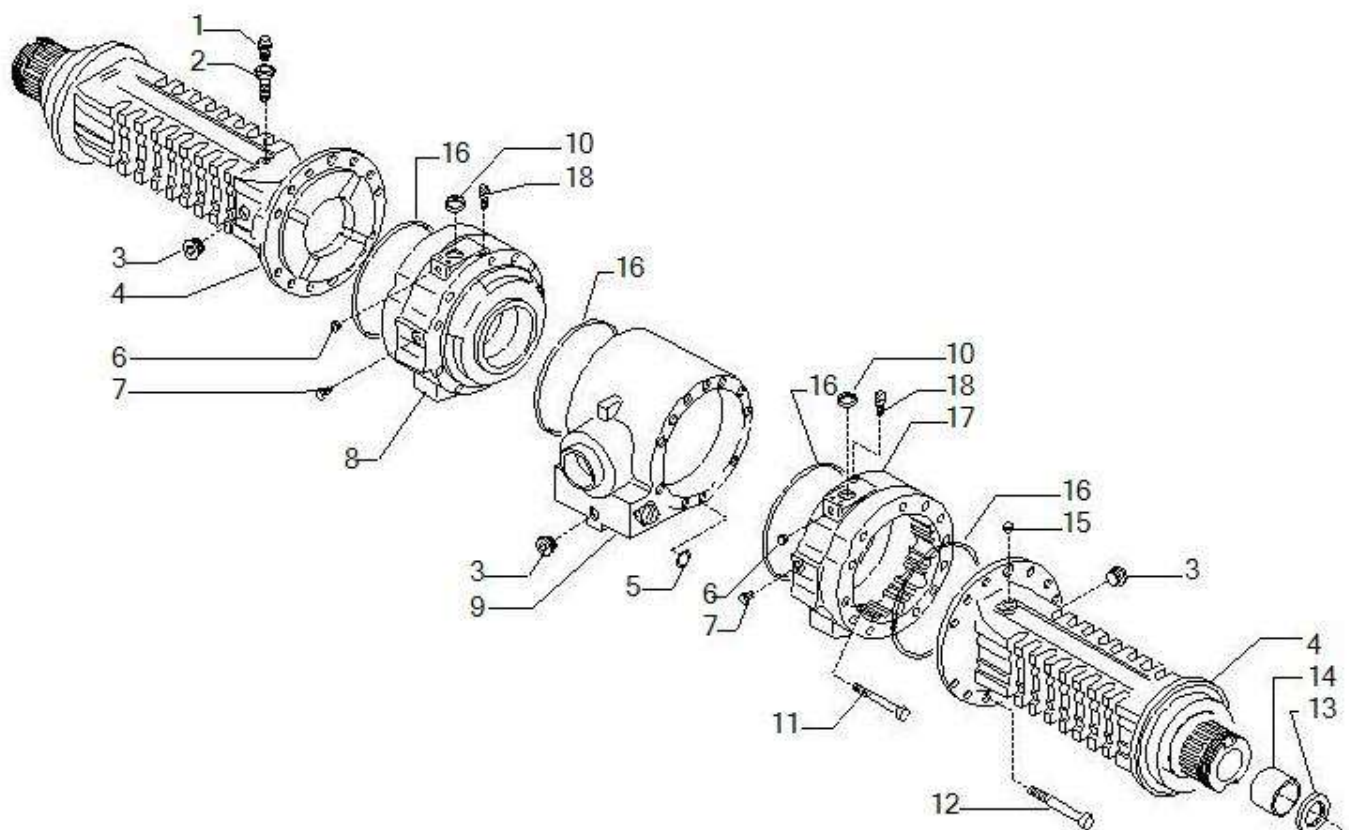
**3.1 Differential**

**4.1 Differential locking**

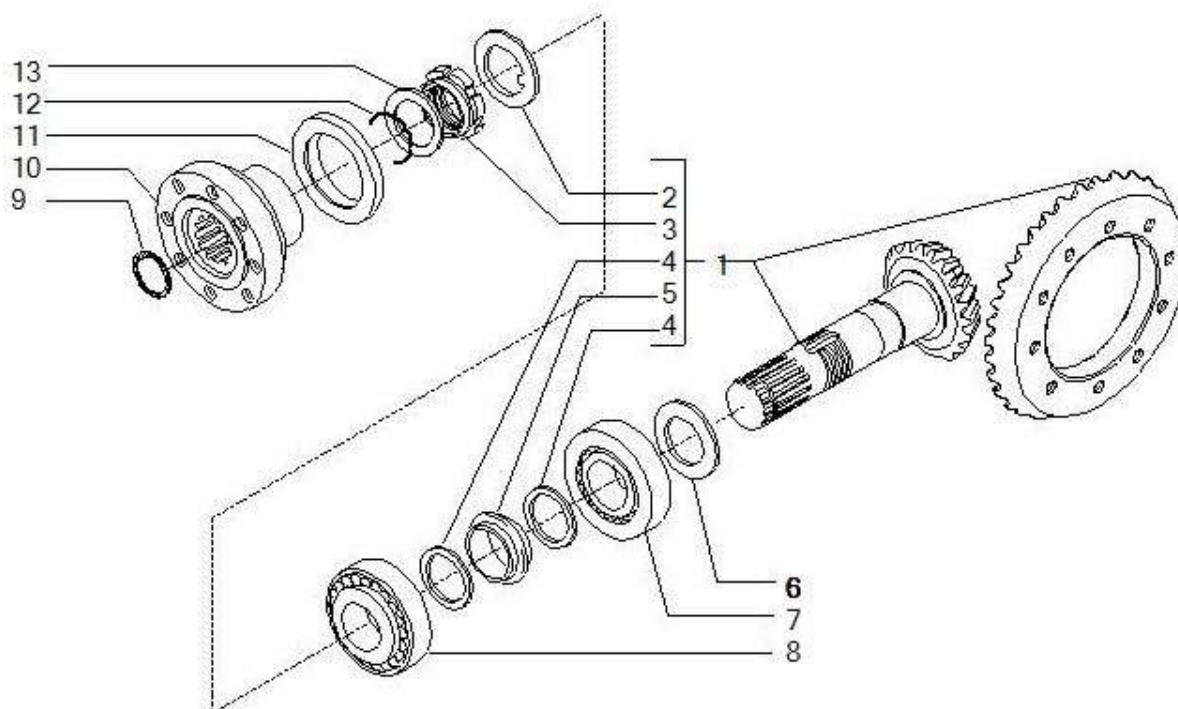
**5.1 Brakes**

**6.1 Final reduction**

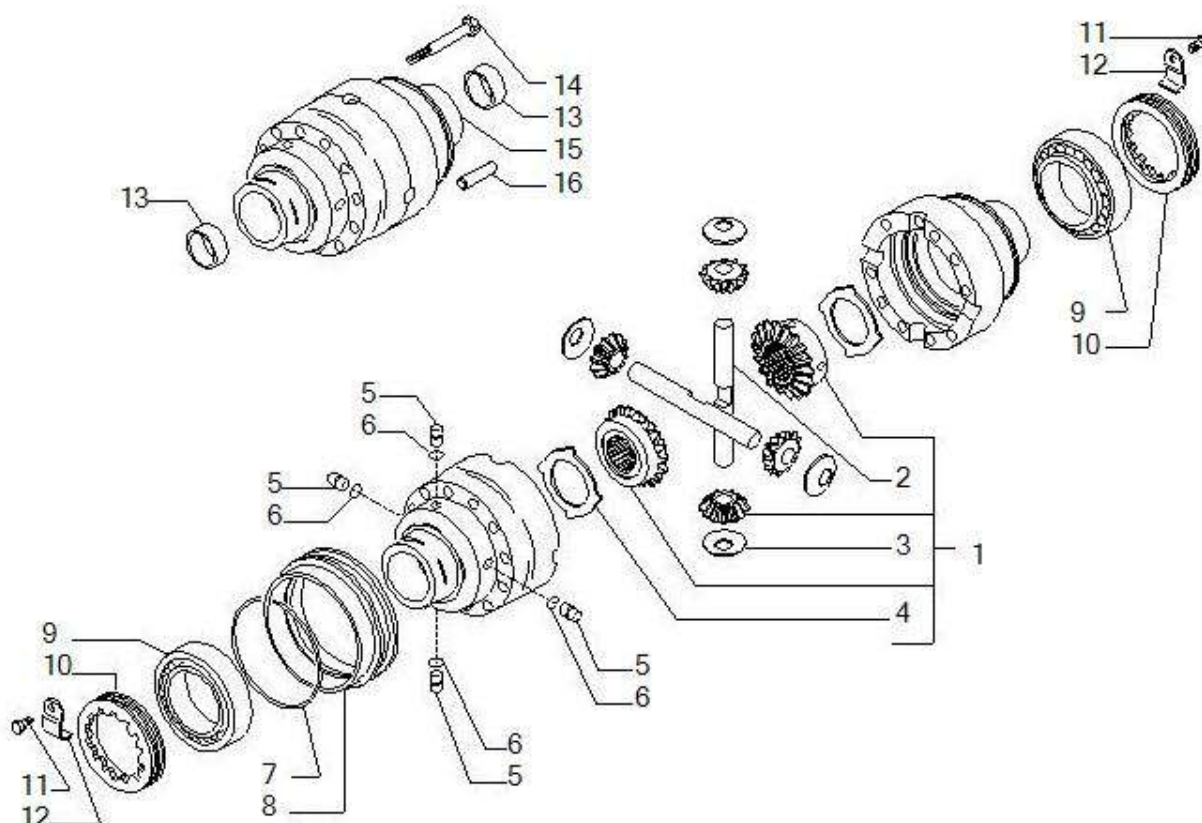
**7.1 Wheel hub**



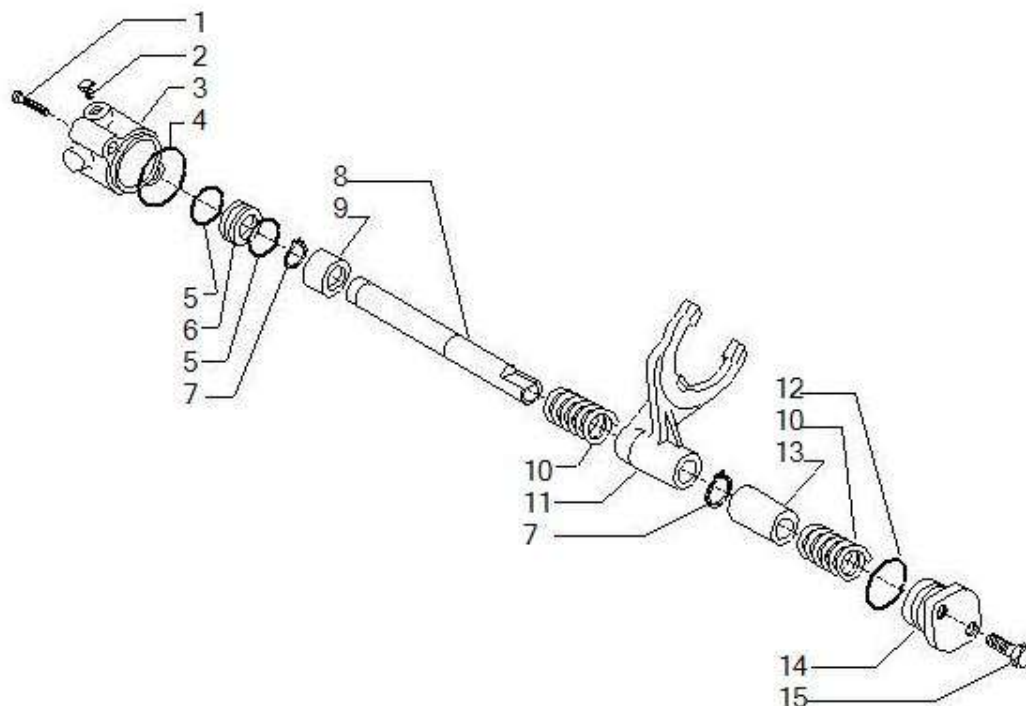
<b>Pos</b>	<b>Ref</b>	<b>Qty</b>	<b>Description</b>	<b>Kit</b>	<b>Note</b>
1	104988	1	BREATHER M10X1		
2	121618	1	OIL VENT PIPE D		
3	125280	3	MAGNETIC PLUG M30X2		
4	384656	2	BEAM TRUMPET AXLE 28.43M (012769) / TROM		
5	28500	2	O-RING 2075 018 18.77X1.7		
6	21580	2	Plug M8x1		
7	145263	2	PLUG 7/16-20 UNF-SAEJ514		
8	141012	1	BRAKE CYLINDER LH 523394		
9	140295	1	BEAM CENTRAL BODY (011761)		
10	134522	2	PLUG D26X8 LAMIERA FePO2 UNI 5866-77		
11	21314	2	HEX SOCKET HEAD CAP SCREW UNI5931/M12X13		
12	20993	22	HEX HEAD SCREW UNI 5737 M14X140 12.9		
13	25311	2	Seal ring		
14	131954	2	BUSHING 38X42X38		
15	21558	1	TAPERED PLUG DIN 906 M10X1 -		
16	28562	4	O-RING 4900 2-270 228.19X		
17	141013	1	BRAKE CYLINDER RH 523394		
18	116792	2	BREATHER M10X1		



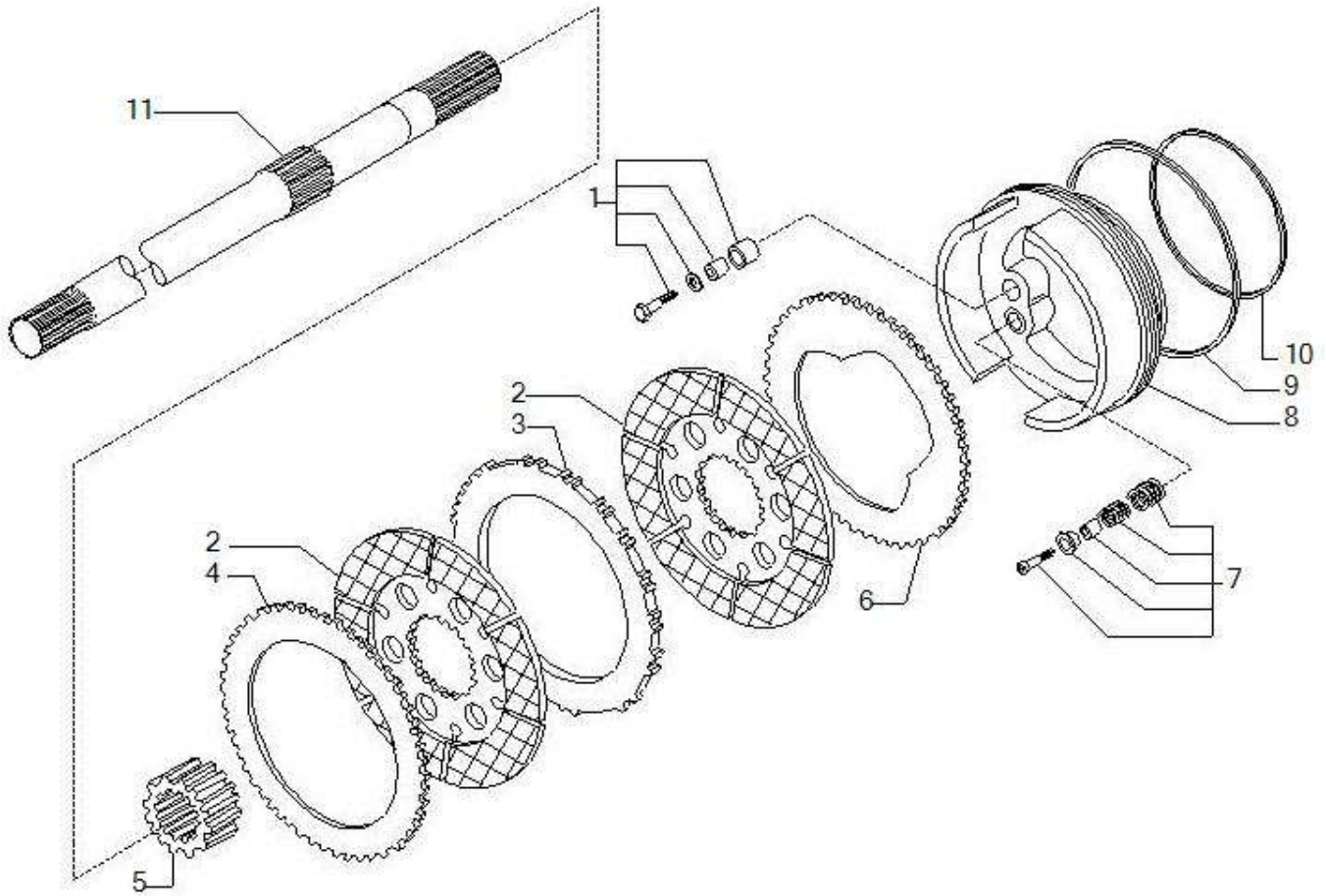
<b>Pos</b>	<b>Ref</b>	<b>Qty</b>	<b>Description</b>	<b>Kit</b>	<b>Note</b>
1	68307	1	COPPIA CONICA 11/32		
2	113717	1	WASHER 41X69X2 /RONDELLA FERMO GHIERA PI		
3	115054	1	RING NUT M40X1.5		
4	125829	2	THRUST SHOE 40.5X50X2 MAT101 CARRARO STD		
5	138692	1	ELASTIC SPACER 45X42X15		
6	134186	1	SHIM 75X45.3X2.5		
6	134187	1	SHIM 75X45.3X2.6		
6	134188	1	SHIM 75X45.3X2.7		
6	134189	1	SHIM 75X45.3X2.8		
6	134190	1	SHIM 75X45.3X2.9		
6	134191	1	SHIM 75X45.3X3		
6	134192	1	SHIM 75X45.3X3.1		
6	134193	1	SHIM 75X45.3X3.2		
6	134194	1	SHIM 75X45.3X3.3		
6	134195	1	SHIM 75X45.3X3.4		
7	27351	1	Bearing		
8	27350	1	TAPE ROLLER THRUST BEARING 31308 90X40X2		
9	24789	1	Snap ring		
10	123399	1	PM FLANGE DIN 1410 (16968)		
11	145050	1	CASSETTE RAD.SHAFT SEALX/ 65X92X10/15		
12	28532	1	O-RING 3137 2-126 34.6x2.62 -		
13	123402	1	WASHER C70 UNI 3545-68A NASTRO TEMPRATO		



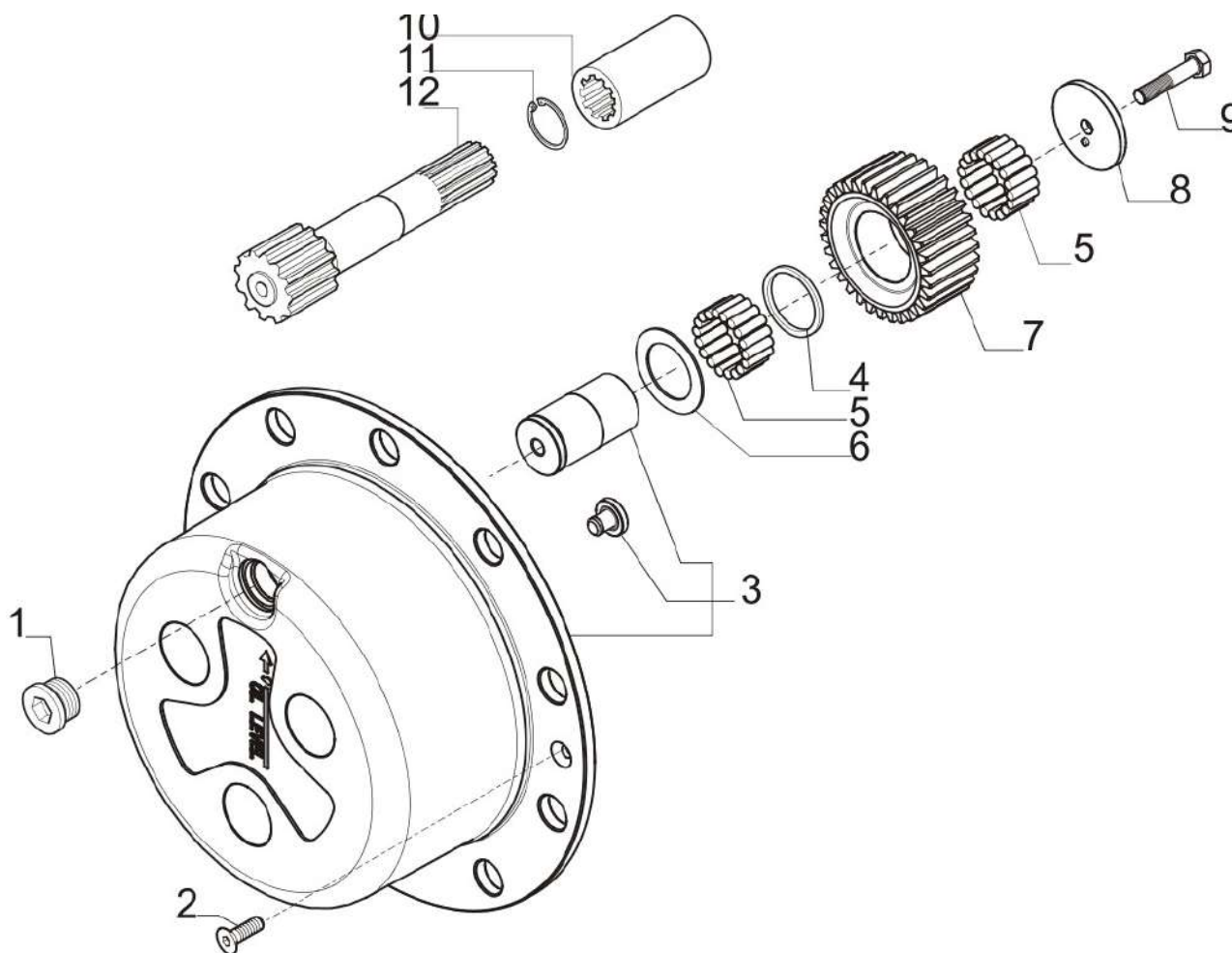
<b>Pos</b>	<b>Ref</b>	<b>Qty</b>	<b>Description</b>	<b>Kit</b>	<b>Note</b>
1	66572	1	DIFF. GEARS KIT		
2	133035	2	DIFF.PLANET.GEAR PIN		
3	117171	4	SPHERICAL WASHER 25.22X60 CuSn8 H135 - E		
4	133036	2	COUNTERPLATE		
5	138651	4	RUNG INNESTO BLOCC.DIFF.		
6	28219	4	O.ring		
7	25077	1	Ring		
8	131592	1	SLIDING SLEEVE (17737)		
9	27367	2	TAPE ROLLER THRUST BEARING 32013X 100X65		
10	125445	2	RING NUT M104X2 (18456)		
11	128440	2	SELF-LOCKING SCREW M6X10 10.9 10.9 UNI E		
12	129118	2	RING NUT STOP		
13	131747	2	BUSHING 36X40X35		
14	125551	10	SELF-LOCKING SCREW M12X1.75X90 12.9 12.9		
15	138654	1	COMPLETE DIFF.HOUSING		
16	117569	1	PARALLEL PIN C40 UNI EN 10083/1		



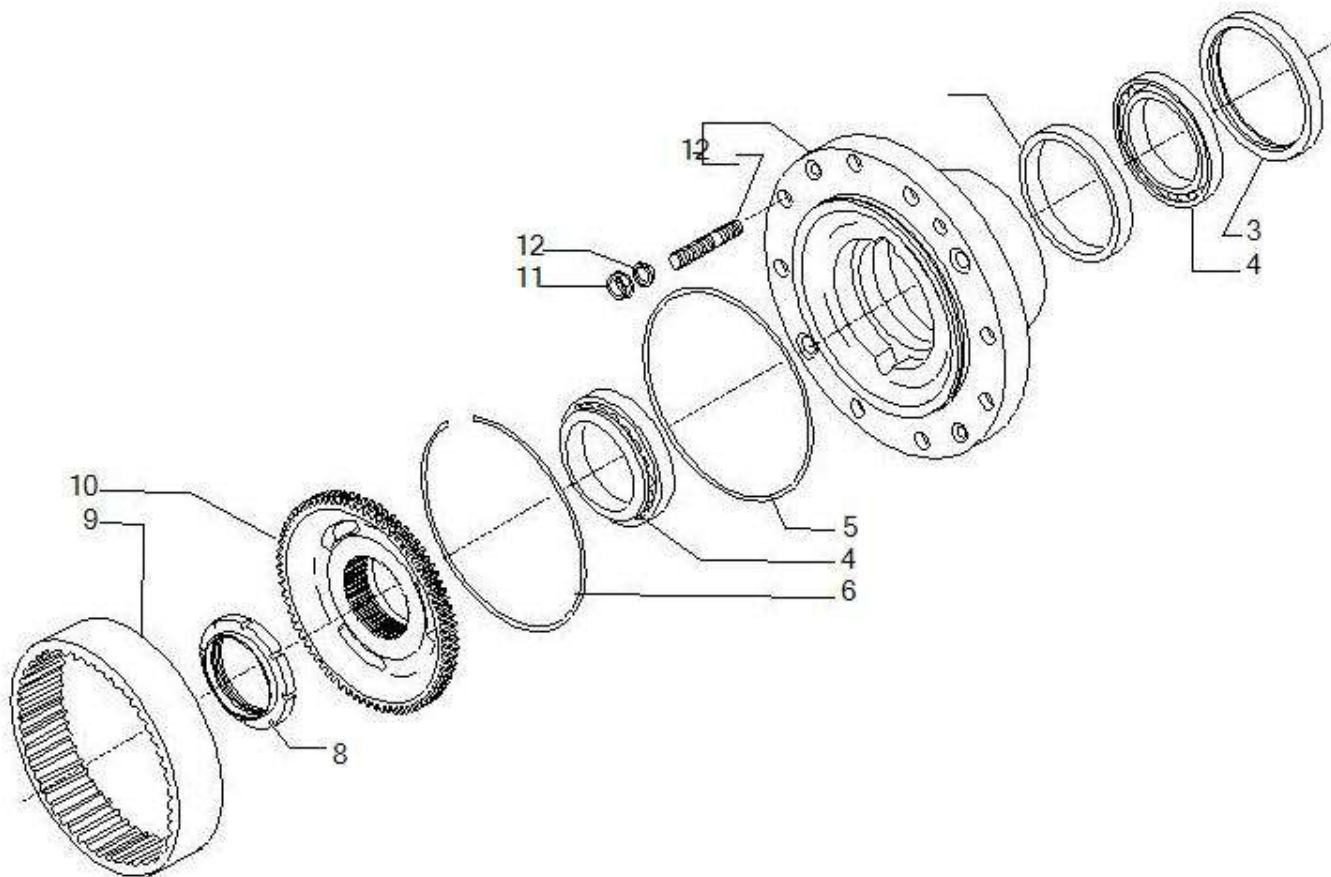
<b>Pos</b>	<b>Ref</b>	<b>Qty</b>	<b>Description</b>	<b>Kit</b>	<b>Note</b>
1	20807	2	HEX HEAD SCREW UNI 5737 M		
2	21570	1	Plug		
3	139131	1	CILYNDER SUPPORT LH (11808)		
4	28527	1	O.ring		
5	28121	2	O.ring		
6	139139	1	DIFFERENTIAL LOCKING PISTON		
7	24776	2	Snap ring 20x1.75		
8	139141	1	CONTROL PIN Diff. locking		
9	139140	1	BUSH 35.93X20X32 41Cr4 UNI 7845		
10	125756	2	COMPRESSION SPRING 60.5X29.5X3.5		
11	130311	1	CONTROL FORK Diff. locking		
12	28557	1	O-RING 3150 2-128 37.77x2.62 -		
13	129032	1	SPACER 30X21X50.5		
14	126143	1	COVER (19112)		
15	20793	2	HEX HEAD SCREW UNI 5739 M		



<b>Pos</b>	<b>Ref</b>	<b>Qty</b>	<b>Description</b>	<b>Kit</b>	<b>Note</b>
1	66679	2	SELF-ADJUST KIT 139404		
2	382114	4	BRAKE DISC D223.75 SP4.8 SKW N670		
3	136644	2	COUNTERPLATE Brake 011319		
4	136155	2	COUNTERPLATE Brake		
5	134745	2	DISC TOW SLEEVE		
6	134740	2	COUNTERPLATE Brake (13207)		
7	66678	2	Self-adjust kit		
8	141259	2	BRAKE PISTON (12015)		
9	133757	2	O-RING 209.14x3.53 VITON 90 SHORE		
10	139231	2	O-RING 4675 171.04x3.53 VITON 90 SHORE		
11	139629	2	AXLE SHAFT L793		



Pos	Ref	Qty	Description	Kit	Note
1	125280	2	MAGNETIC PLUG M30X2		
2	20490	4	COUNTERSUNK HEAD SCREW UN		
3	66570	2	PLANETARY CARRIER KIT		
4	138778	6	FIFTH WHEEL 52X45.2X2		
5	28301	37.20	NEEDLE 5x19.8 (TENS OF 117874)		
6	138689	6	FIFTH WHEEL 44.7X65X1.5		
7	138736	6	EPIC.PLANETARY GEAR Z31 M3 L53		
8	644650	6	THRUST SHOE 11X65X6 C67 UNI 7064-82		
9	125229	6	SELF-LOCKING SCREW M10X1.25X50 10.9 ACCI		
10	131299	2	LINK BUSH		
11	24877	2	Snap ring		
12	138735	2	AXLE SHAFT WITH GEAR L220.5 Z13 M3		



Pos	Ref	Qty	Description	Kit	Note
1	68061	1	WHEEL HUB KIT		
2	116957	10	STUD 10.9 UNI EN ISO 898-1 B6 - CARRARO		
3	47702	2	SEAL RING 150-180-14 5/16		
4	141604	4	TAPE ROLLER THRUST BEARING		
5	28579	2	O-RING 41000 2-274 253.59x3.53 -		
6	148284	2	SPACER 123X110X22.994		
7	125233	2	CIRCLIP 238.9X16X3.5 FILO B 3.5 UNI 382		
8	148257	2	RING NUT M90X2 C70		from s/n 4953 - was146257.
9	148306	6	HEX SOCKET HEAD CAP SCREW UNI5931 M10X12		added from s/n 4953.
10	412236	2	EPIC. WHEEL CARRIER HUB 013278		from s/n 4953- was 145994.
11	148259	2	RING NUT STOP		added from s/n 4953.
12	139738	2	EPICYCLOIDAL RING GEAR Z7		
13	119503	20	WHEEL NUT DIN 74361 M22X1.5 B		
14	119504	20	WASHER DIN 74361 22.5 C		