

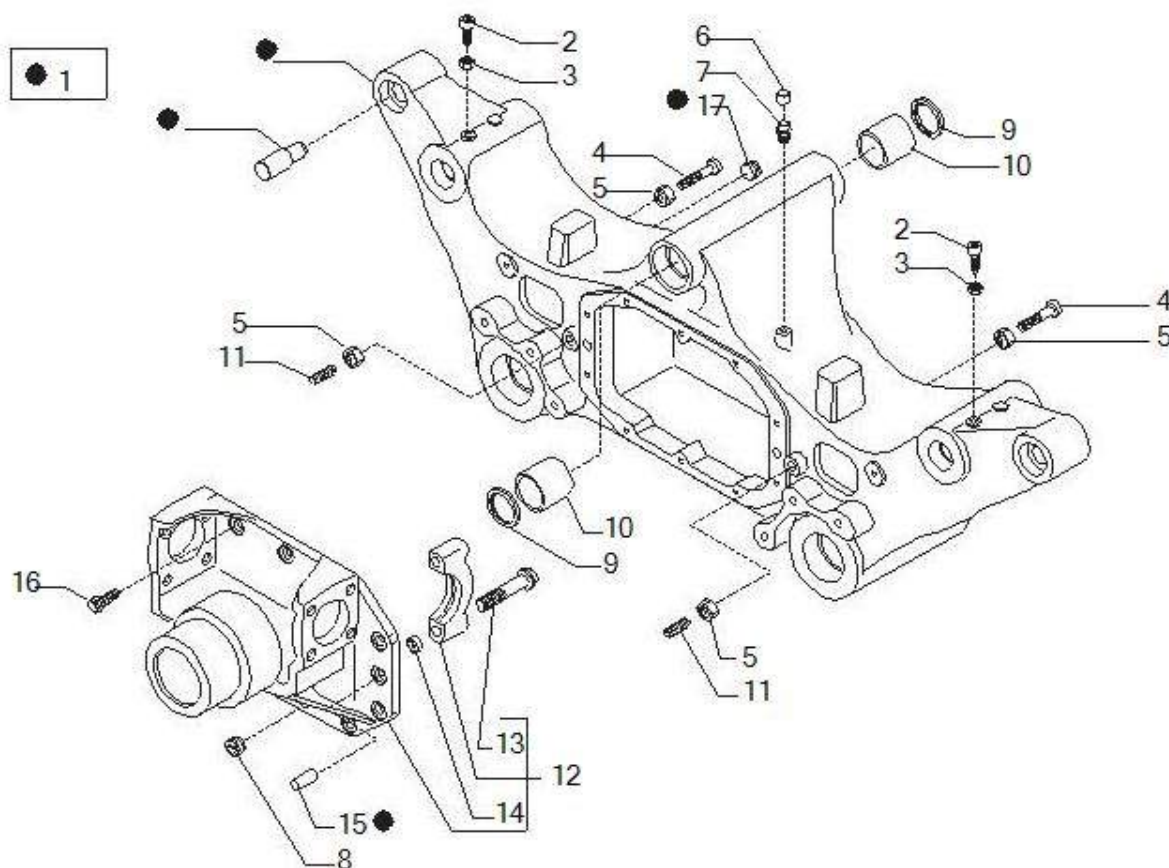


Spare parts catalogue

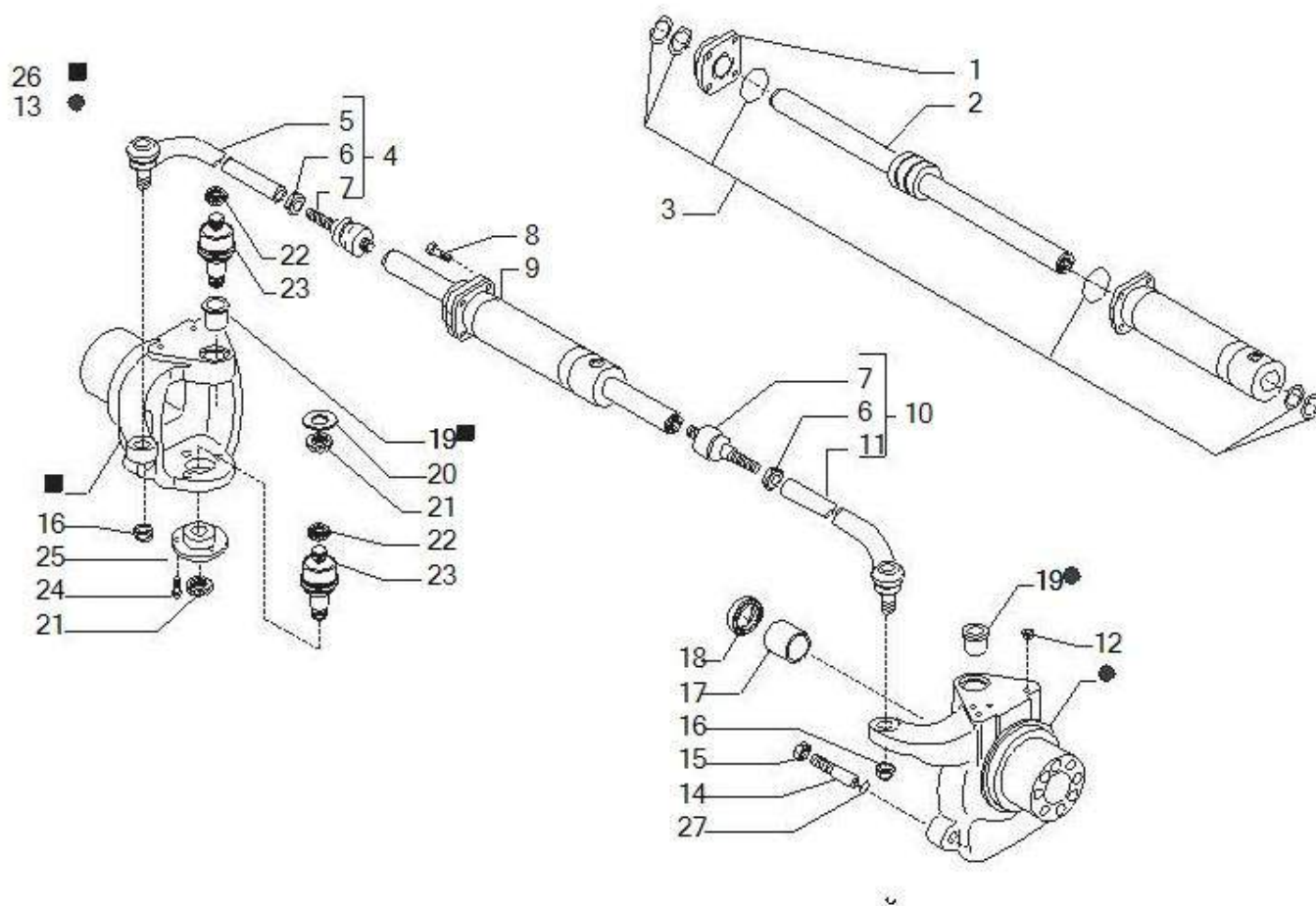
AXLE 20.43SI_(CM9450)

REF: 149696

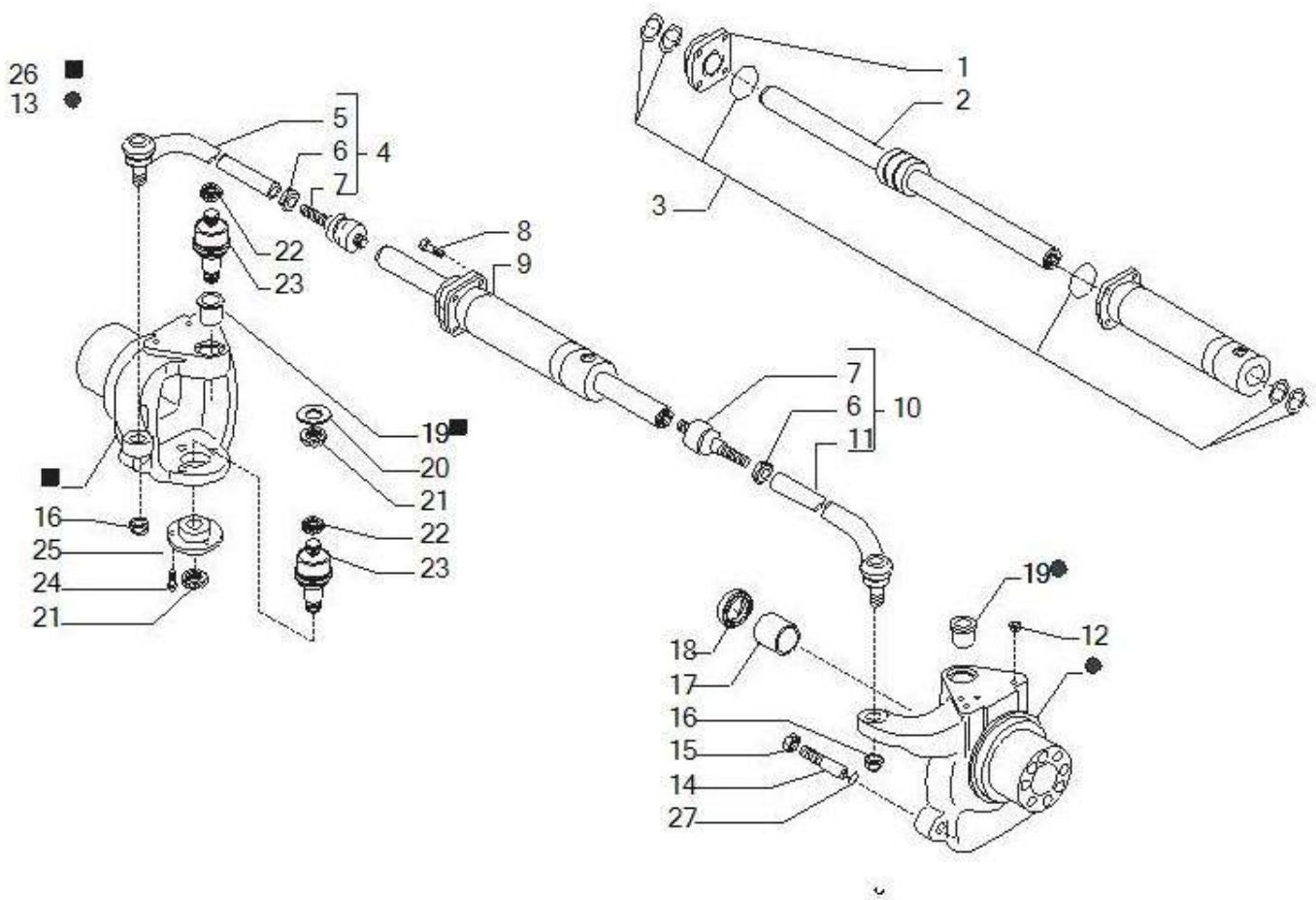
- 1.1 Axle housing**
- 2.1 Swivel housings and steering cylinder**
- 3.1 Lower arms**
- 4.1 Lower arms**
- 5.1 Upper arms**
- 6.1 Sensors**
- 7.1 Bevel gear set**
- 8.1 Differential**
- 9.1 Double Joints**
- 10.1 Wheel hub**
- 11.1 Planetary carrier**
- 12.1 Suspension control unit**



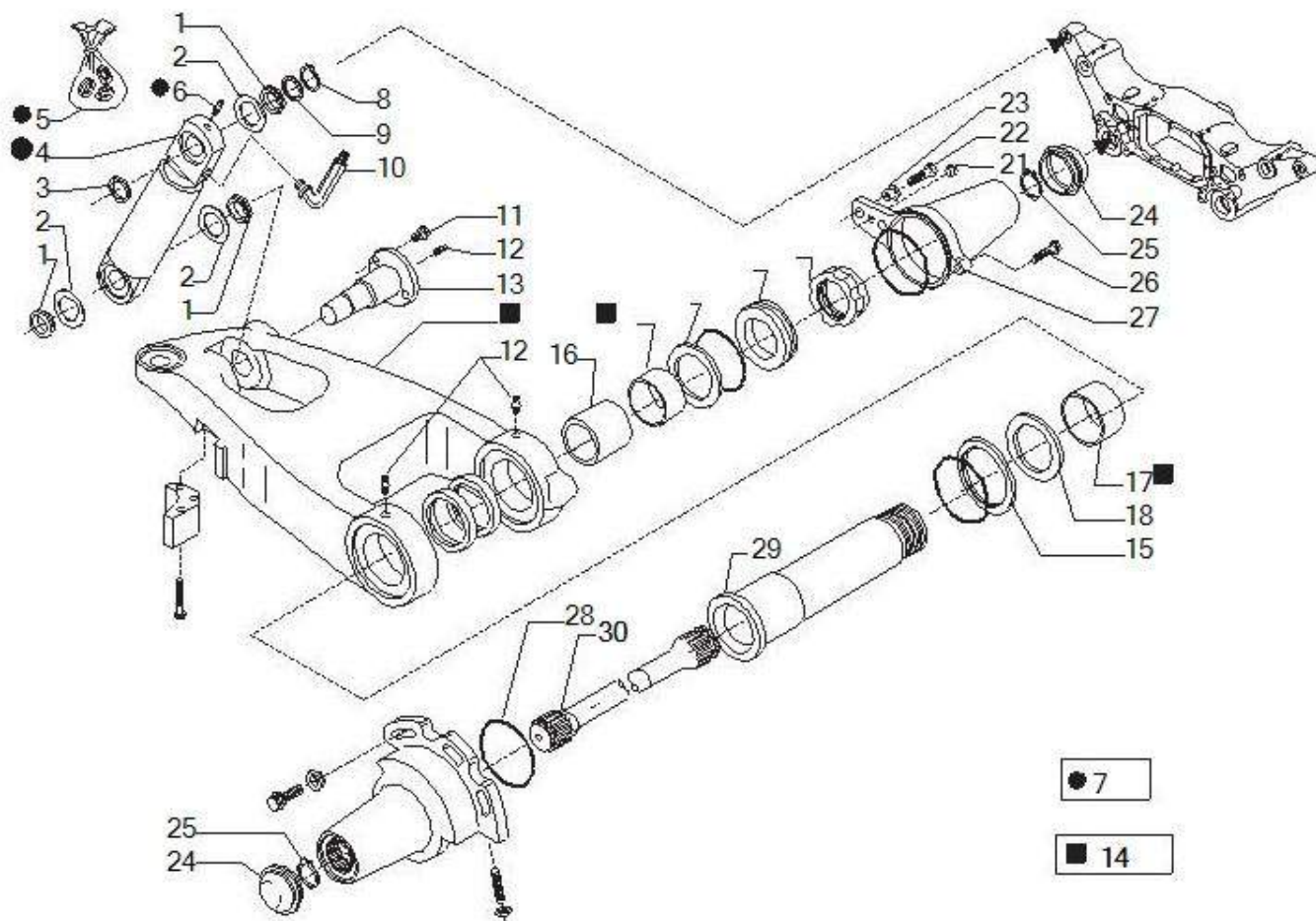
Pos	Ref	Qty	Description	Kit	Note
	126022	4	HEX HEAD FLANGE SCREW M14X2X75 12.9 CLAS		
	72235	4	BUSH 18X15X12		
1	66909	1	Axle housing kit		
2	139936	2	HEX SOCKET HEAD CAP SCREW M12X1.25X40 12		
3	22126	2	HEXAGON NUT UNI 5589 M12X		
4	21525	2	SLOTTED SET SCREW UNI592		
5	22123	4	HEXAGON NUT UNI 5589 M12		
6	130532	1	PLASTIC PLUG PROTEZ.		
7	104988	1	BREATHER M10X1		
8	128050	1	TAPERED PLUG M24X1.5 5.8 EN ISO 898-1		
9	120717	2	SEAL RING 50X60X4 NBR B10F		
10	126610	2	SWING BUSHING 50.19X60X54		
11	21521	2	SLOTTED SET SCREW UNI592		
12	136025	1	I.S.C.DIFF.SUPPORT (011358)		
13	126022	4	HEX HEAD FLANGE SCREW M14X2X75 12.9 CLAS		
14	72235	4	BUSH 18X15X12		
15	87660	2	PARALLEL PIN 15X35		
16	125827	10	HEX HEAD FLANGE SCREW M12X1.75X29 12.9 C		
17	92270	1	MAGNETIC PLUG M22X1.5		



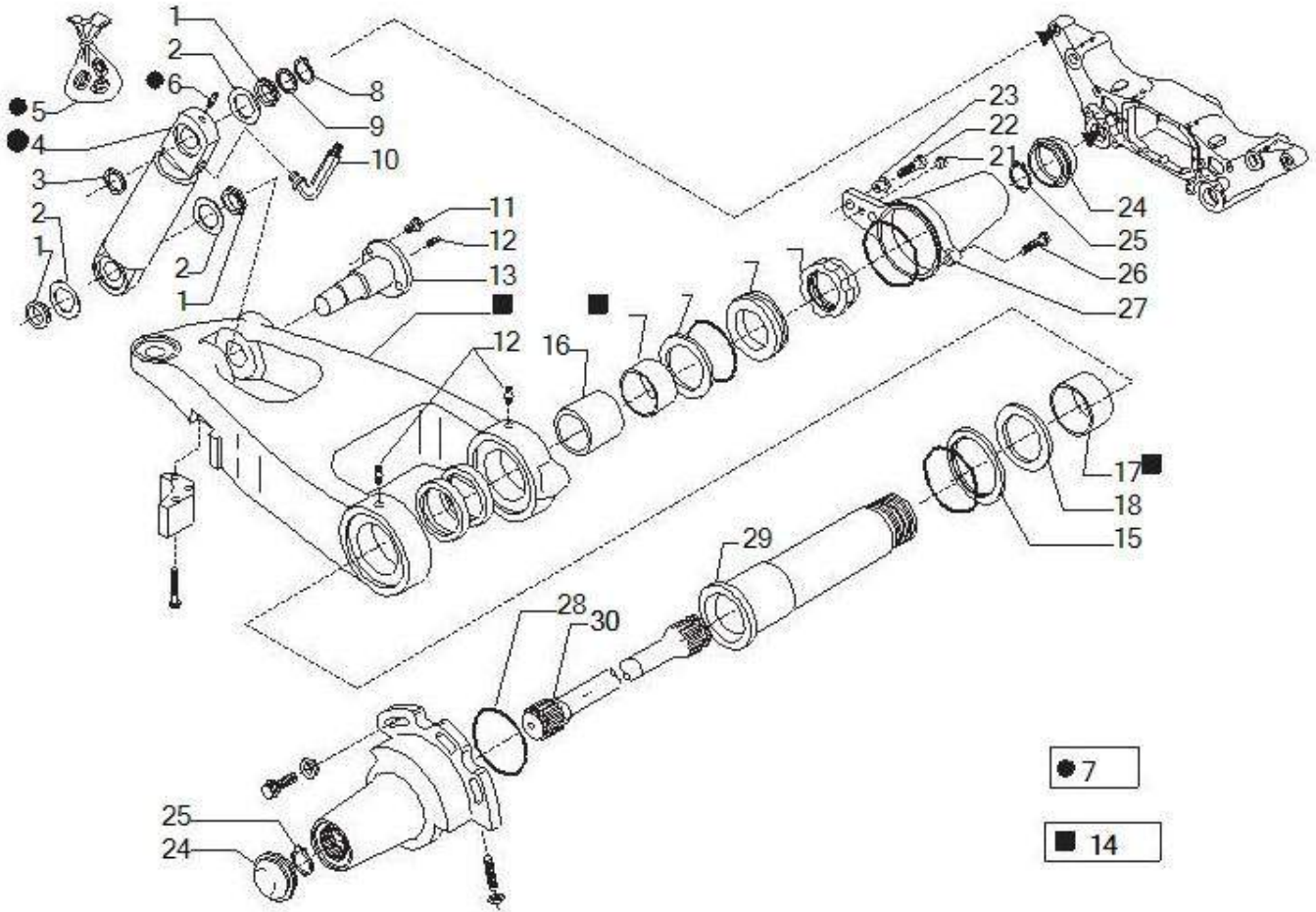
Pos	Ref	Qty	Description	Kit	Note
	352200	1	TIE ROD		
1	49249	1	Cylinder head		
2	49216	1	Rod		
3	49214	1	Oil seal kit		
4	143235	1	STEERING ROD LH L355		
5	352201	1	TIE ROD		
6	70787	2	HEXAGON NUT UNI 5589 M24X1.5 8 - -		
7	351504	2	BALL JOINT 40/38 RINF.		
8	128534	4	SELF-LOCKING SCREW M12X45 10.9 - -		
9	144121	1	STEERING CYLINDER		
10	143234	1	STEERING ROD RH L355		
11	352200	1	TIE ROD		
12	30755	8	PLASTIC PLUG D14.5		
13	66927	1	Kit p		
14	147716	2	LEVER STOP		
15	143451	2	SPECIAL NUT M27X2		
16	22431	2	SELF-LOCKING NUT UNI 7474		
17	125161	2	BUSHING 48X53X40		
18	140224	2	SEAL RING 48X65X16.5 SF6		
19	139868	1	FLANGE		
19	139868	1	FLANGE		
20	139869	2	WASHER		
21	150181	4	SELF-LOCKING NUT DIN 985		
22	150180	4	SELF-LOCKING NUT DIN 985		
23	139871	4	BALL JOINT		



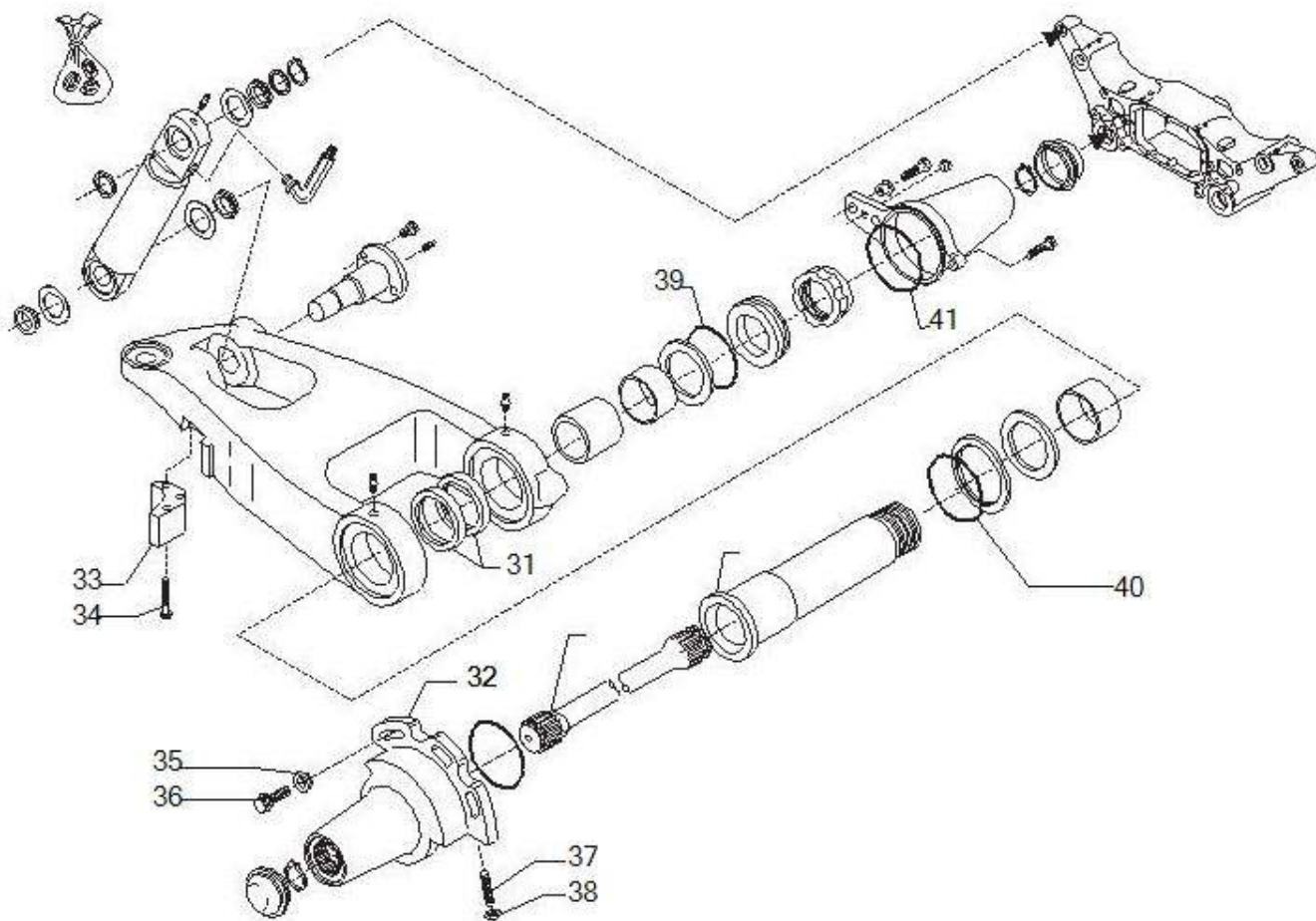
Pos	Ref	Qty	Description	Kit	Note
24	125827	6	HEX HEAD FLANGE SCREW M12X1.75X29 12.9 C		
25	139872	2	SWIVEL HOUSING KING PIN SNODO INFERIORE		
26	66928	1	Kit pivot gauche		
27	144943	2	BELLEVILLE WASHER		



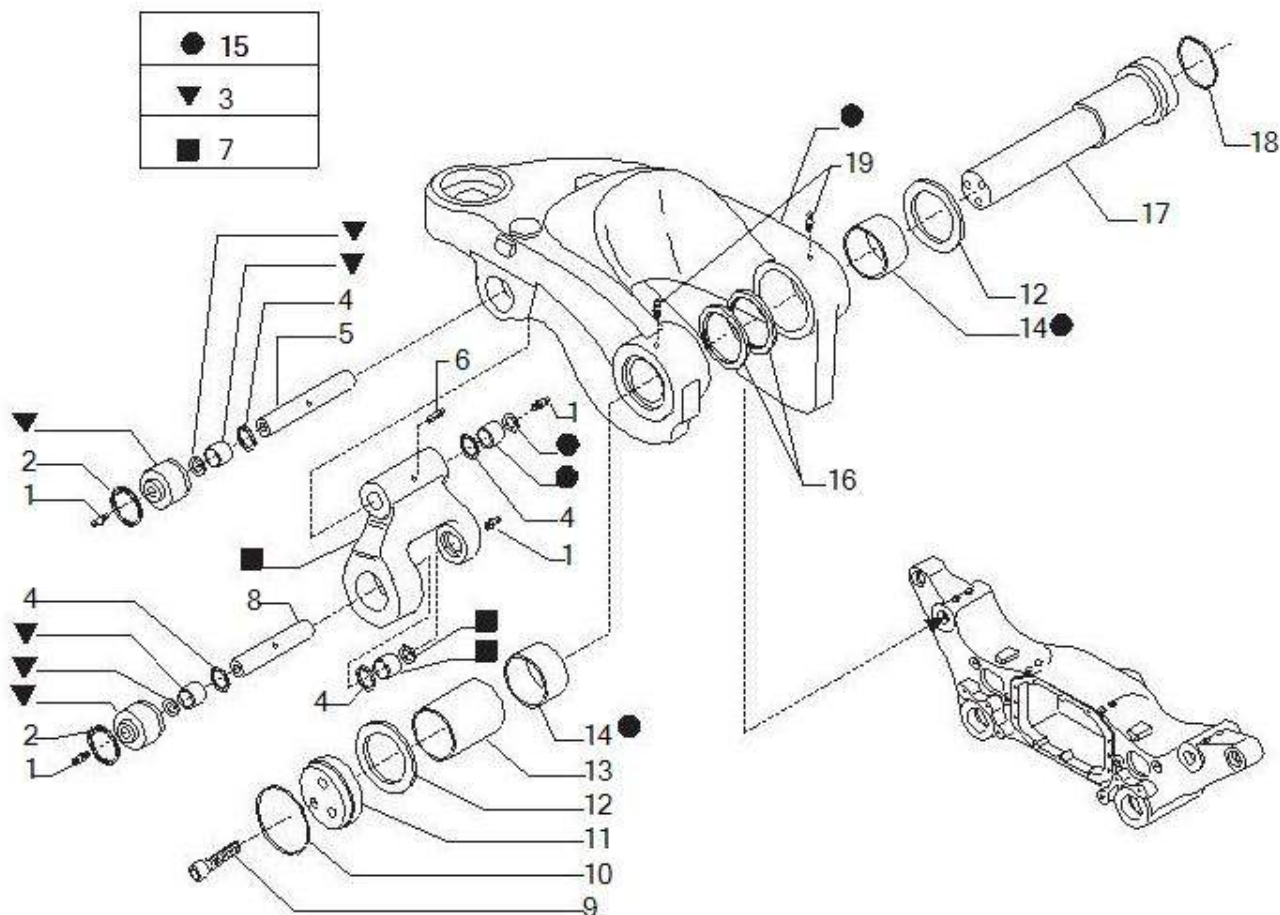
Pos	Ref	Qty	Description	Kit	Note
1	139594	6	SPACER 43X30X8		
2	139595	6	BELLEVILLE SPRING 61.5x40.5x0.7 lo1.8 /		
3	139568	2	SPACER 40X35X4		
4	49098	2	STEM 179080212		
5	49097	2	Kit de joints		
6	49096	2	Greaser nipple		
7	139479	2	Verin		
8	24785	2	CIRCLIP DIN 471 30		
9	128765	2	WASHER WASHER OTECO 30.3X38X2 MAT101 CAR		
10	143445	2	CONNECTOR 90 M18x1.5		
11	20849	4	TE SCREW DIN 933 M10X20 8		
12	24210	6	LUBRIFICATING NIPPLES M6x1con.CH7 Acc.Zn		
13	141903	2	PIN		
14	68168	1	LOWER ARM KIT		
15	149219	2	WASHER 93.5X109.5X5.5		
16	45163	2	SWING BUSHING 68X80X71.75		
17	148887	2	BUSHING 80X85X25		
18	148889	4	THRUST SHOE 83.5X95X2.5		
19	148755	2	THRUST SHOE 65X95X13		
20	23353	2	SELF-LOCKING RING NUT GUA M65X1.5		
21	75899	2	PLASTIC PLUG D8.5		
22	128658	4	SELF-LOCKING SCREW M10X45 10.9 ACCIAIO 1		
23	127994	4	CENTERING BUSH		
24	140926	4	PLASTIC PLUG 7X12.7		
25	24800	4	Snap ring		



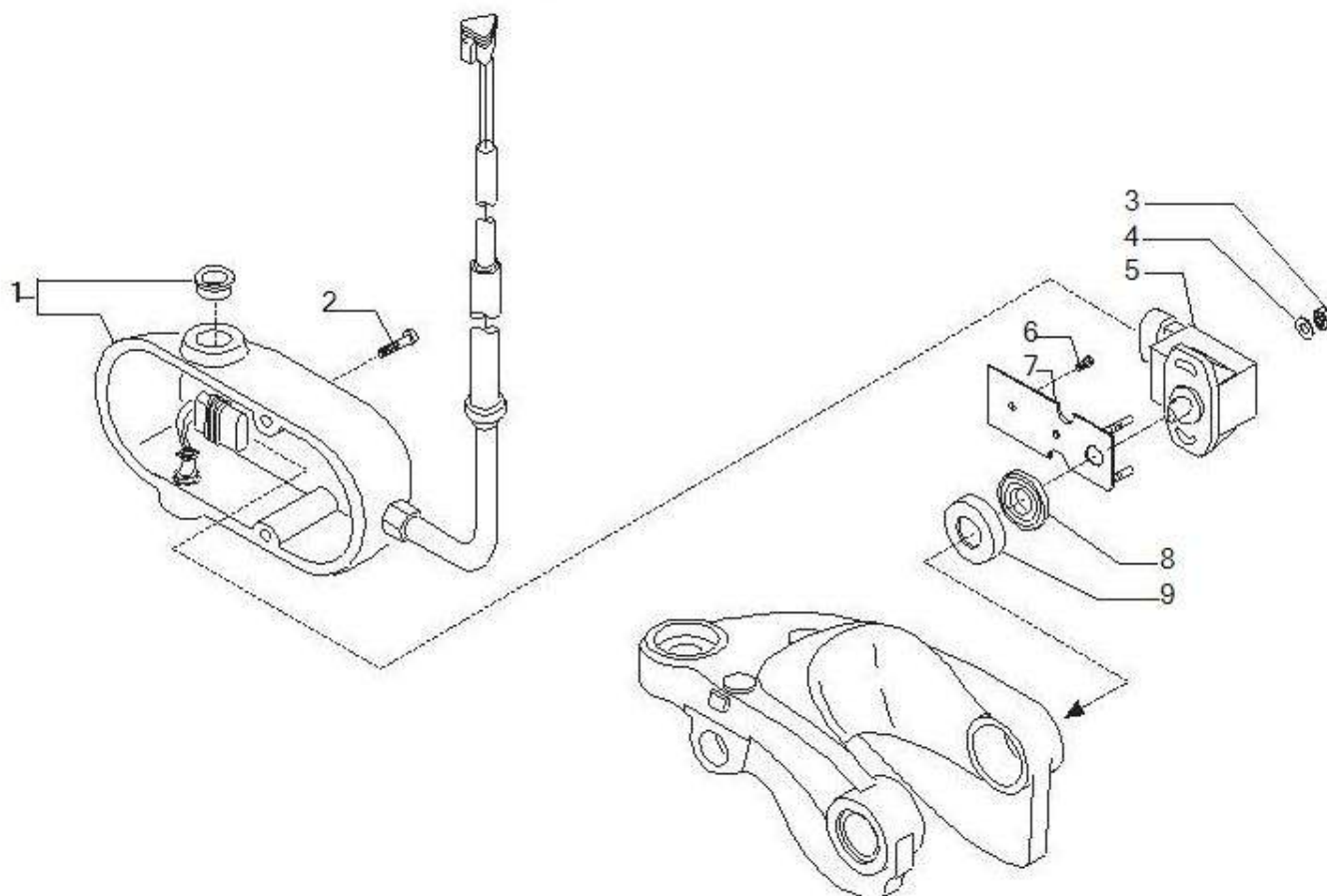
Pos	Ref	Qty	Description	Kit	Note
26	131054	2	SELF-LOCKING SCREW M10X35 10.9		
27	149026	2	FLANGE		
28	28170	2	O-RING 4350 88.49X3.53		
29	149218	2	PIN		
30	139873	1	TORSION BAR LH D30		
30	139281	1	TORSION BAR RH D30		



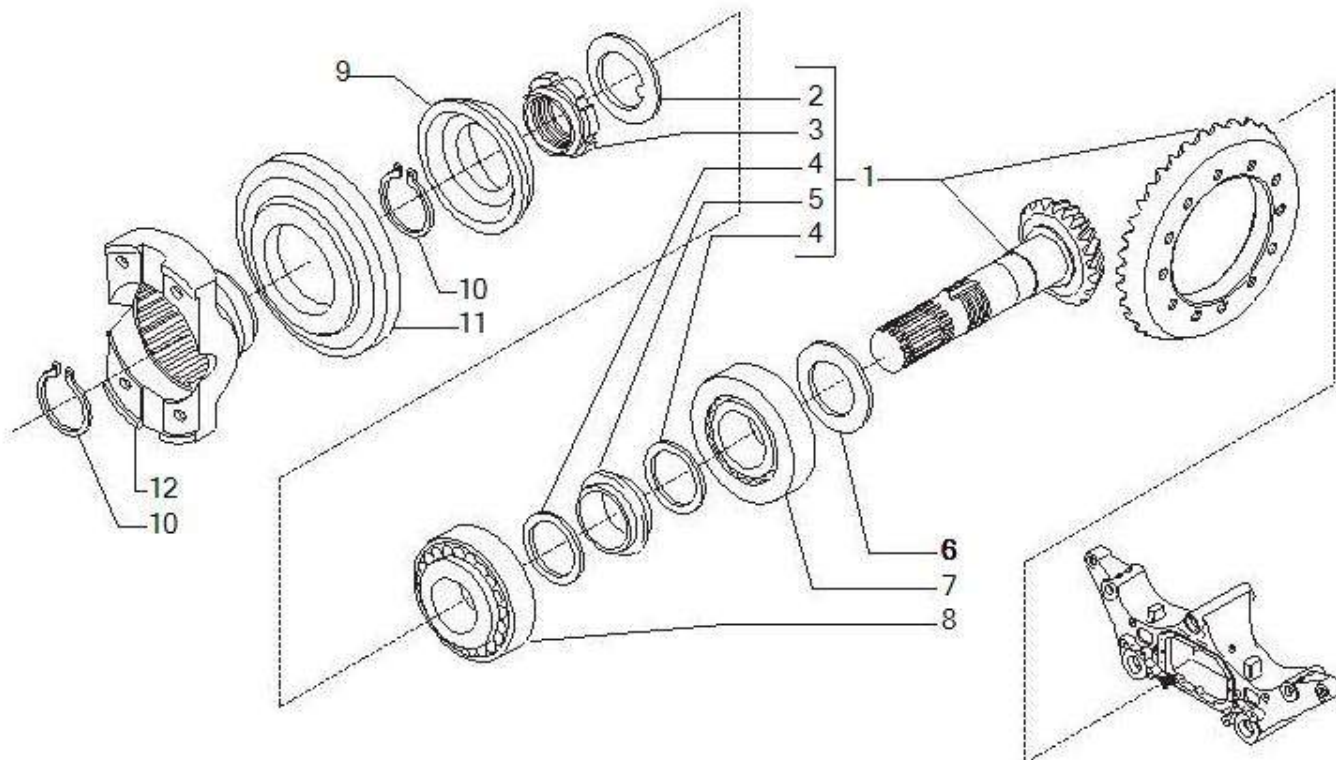
Pos	Ref	Qty	Description	Kit	Note
31	148688	4	SEAL RING 80X95X5 /7		
32	141374	1	FLANGE RH / FLANGIA DESTRA		
32	141375	1	FLANGE LH (012038)		
33	147521	2	STEERING LOCK		
34	20867	6	HEX HEAD SCREW ISO 4014 / DIN 931 M10X70		
35	138004	6	CENTERING BUSH		
36	125827	6	HEX HEAD FLANGE SCREW M12X1.75X29 12.9 C		
37	21526	2	SLOTTED SET SCREW UNI592		
38	22119	2	HEXAGON NUT UNI 5588 M10		
39	28184	2	O-RING 3350 2-153 88.57x2.62		
40	28216	2	O-RING 2-044 2375 94.97X1		
41	28556	2	O-RING 2-48 2475		



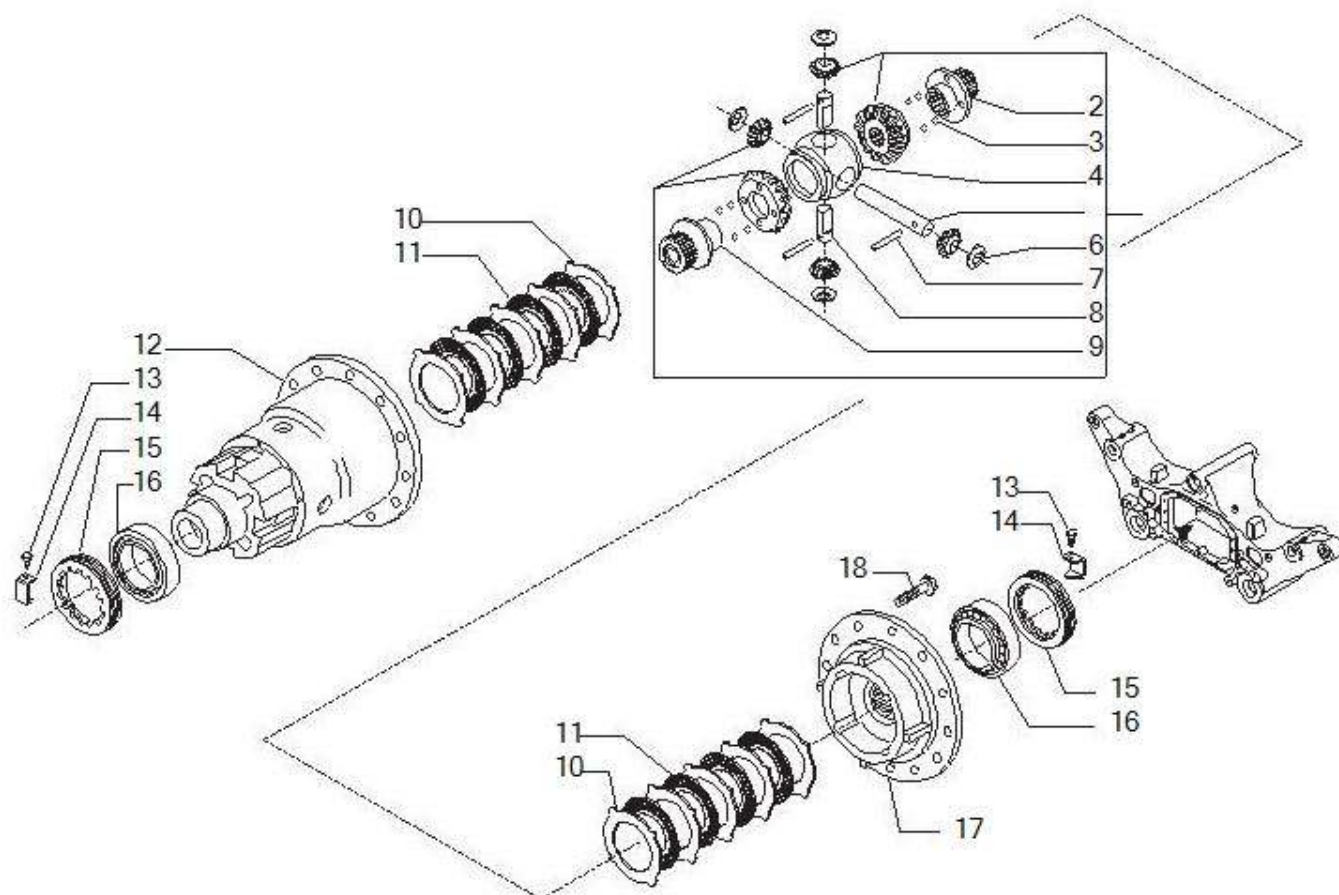
Pos	Ref	Qty	Description	Kit	Note
1	24258	8	LUBRIFICATING NIPPLES M8x1con.CH9 Acc.Zn		
2	24854	4	CIRCLIP DIN 472 34X1.5		
3	66907	4	Kit bague de centrage		
4	141836	8	SEAL RING 16X22X3		
5	141837	2	PIN L.105.4		
6	24444	2	SPIROL PIN ISO 8748 D6X30		
7	66908	2	Kit de support		
8	144120	2	PIN		
9	21410	6	Bolt M10x30		
10	28507	2	O-RING 3225 2-140 56.82x2.62		
11	148679	2	COVER		
12	148890	4	THRUST SHOE 48X60X2.5		
13	45162	2	SWING BUSHING 37X45X65		
14	148888	4	BUSHING 45X50X25		
15	68170	1	Kit bras superieur gauche		
16	148687	4	SEAL RING 45X60X5 /6.5		
17	148678	2	PIN		
18	28518	2	O-RING 3218 2-139		
19	24210	4	LUBRIFICATING NIPPLES M6x1con.CH7 Acc.Zn		



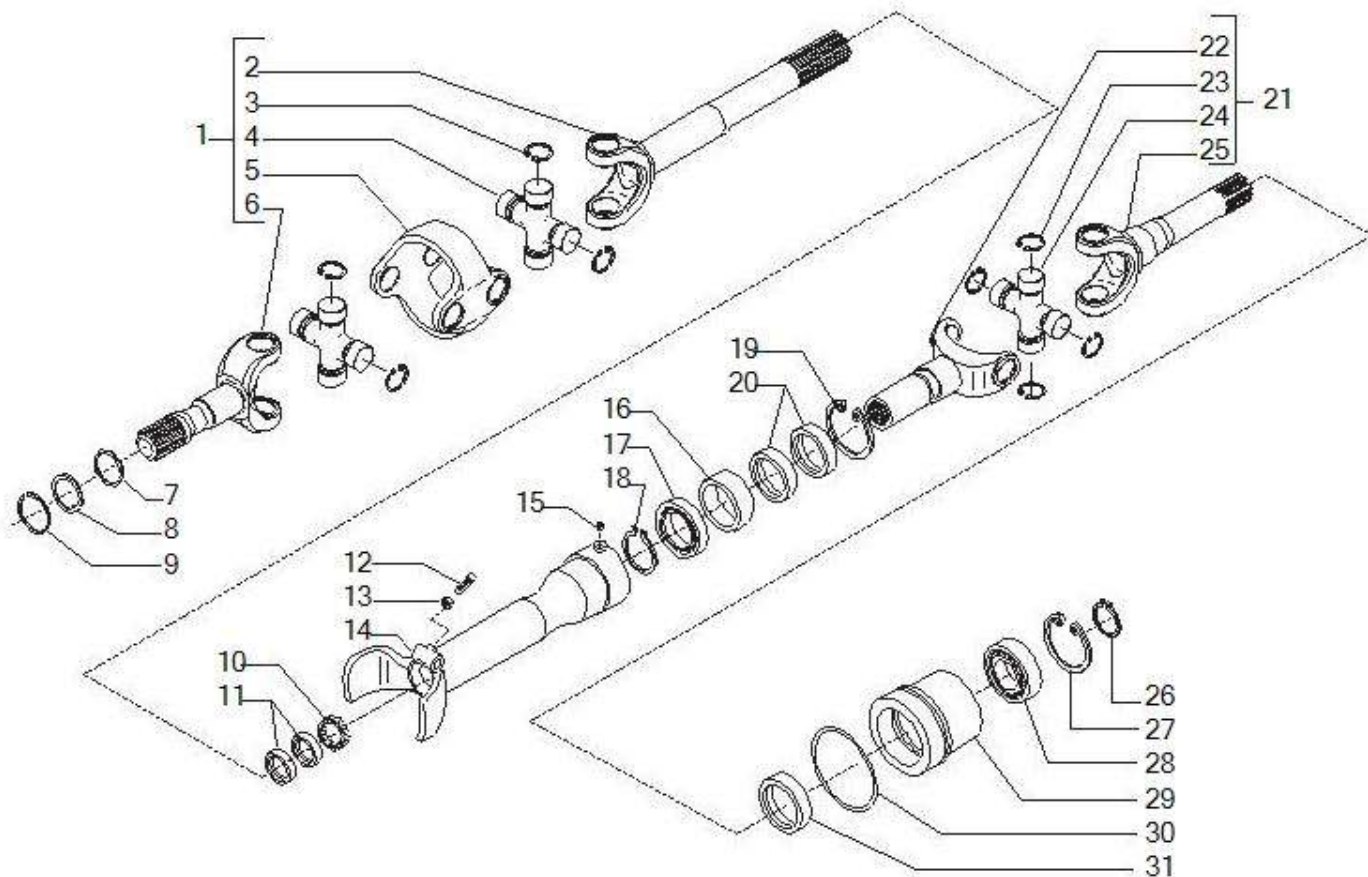
Pos	Ref	Qty	Description	Kit	Note
1	144115	1	HARNESS KIT		
1	144114	1	HARNESS KIT SENSORE DX		
2	21376	4	HEX SOCKET HEAD CAP SCREW		
3	22403	4	SELF-LOCKING NUT DIN 985		
4	23060	4	WASHER UNI 6592 4		
5	641262	2	SENSOR		
6	128440	4	SELF-LOCKING SCREW M6X10 10.9 10.9 UNI E		
7	140687	2	SENSOR SUPPORT		
8	139562	1	RUBBER WASHER 29X6X4		
9	141902	2	RING D32.1X8		



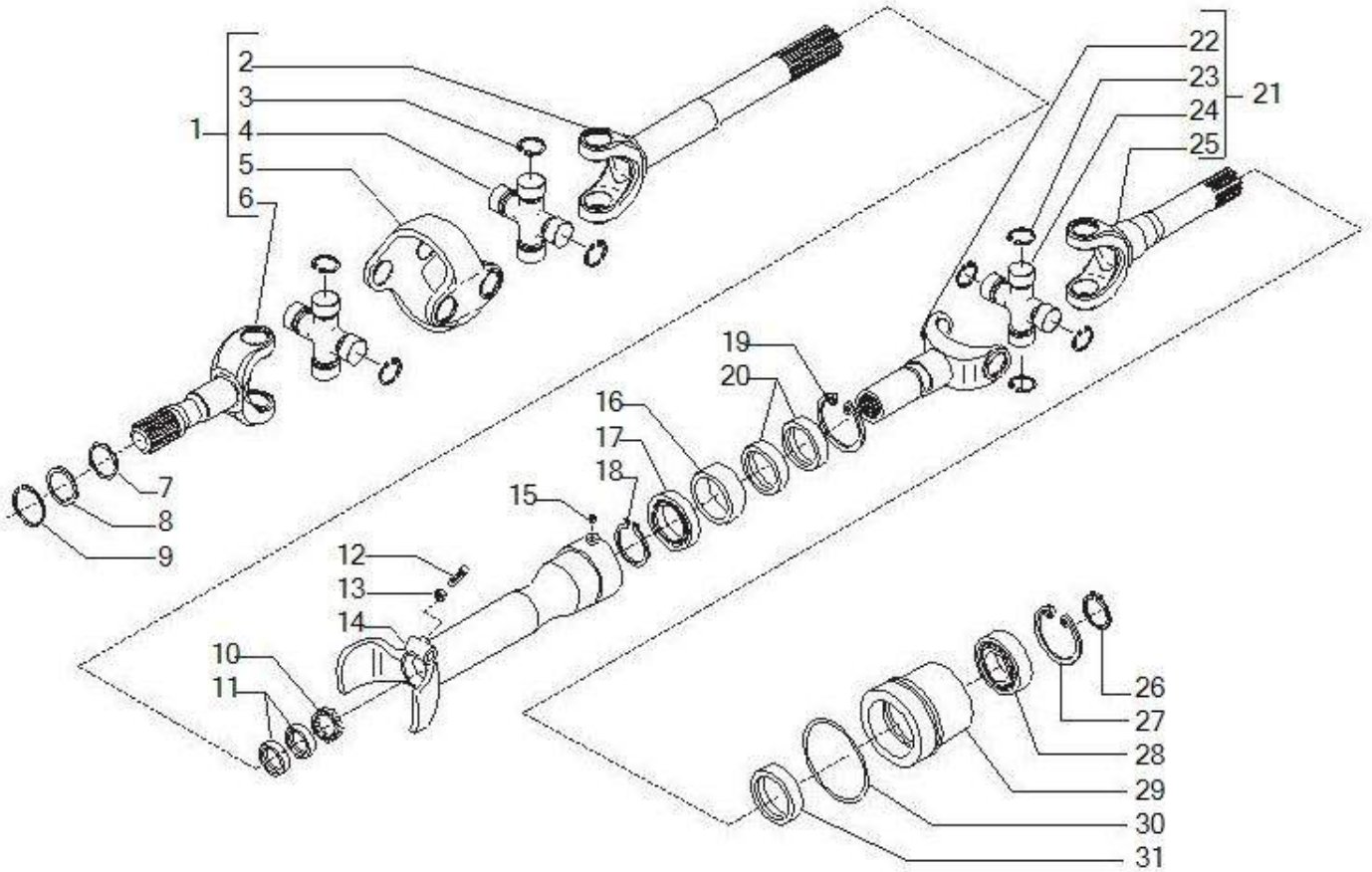
Pos	Ref	Qty	Description	Kit	Note
1	66315	1	Bevel gear/Pinion set		
2	113717	1	WASHER 41X69X2 /RONDELLA FERMO GHIERA PI		
3	115054	1	RING NUT M40X1.5		
4	125829	2	THRUST SHOE 40.5X50X2 MAT101 CARRARO STD		
5	126369	1	ELASTIC SPACER 45X42X20		
6	134186	1	SHIM 75X45.3X2.5		
6	134187	1	SHIM 75X45.3X2.6		
6	134188	1	SHIM 75X45.3X2.7		
6	134189	1	SHIM 75X45.3X2.8		
6	134190	1	SHIM 75X45.3X2.9		
6	134191	1	SHIM 75X45.3X3		
6	134192	1	SHIM 75X45.3X3.1		
6	134193	1	SHIM 75X45.3X3.2		
6	134194	1	SHIM 75X45.3X3.3		
6	134195	1	SHIM 75X45.3X3.4		
7	27395	1	Bearing		
8	27350	1	TAPE ROLLER THRUST BEARING 31308 90X40X2		
9	134339	1	CASSETTE RAD.SHAFT SEAL 35X92X/		
10	24789	2	Snap ring		
11	123767	1	COVER		
12	137662	1	PM FLANGE MECHANICS 5C (16967)		



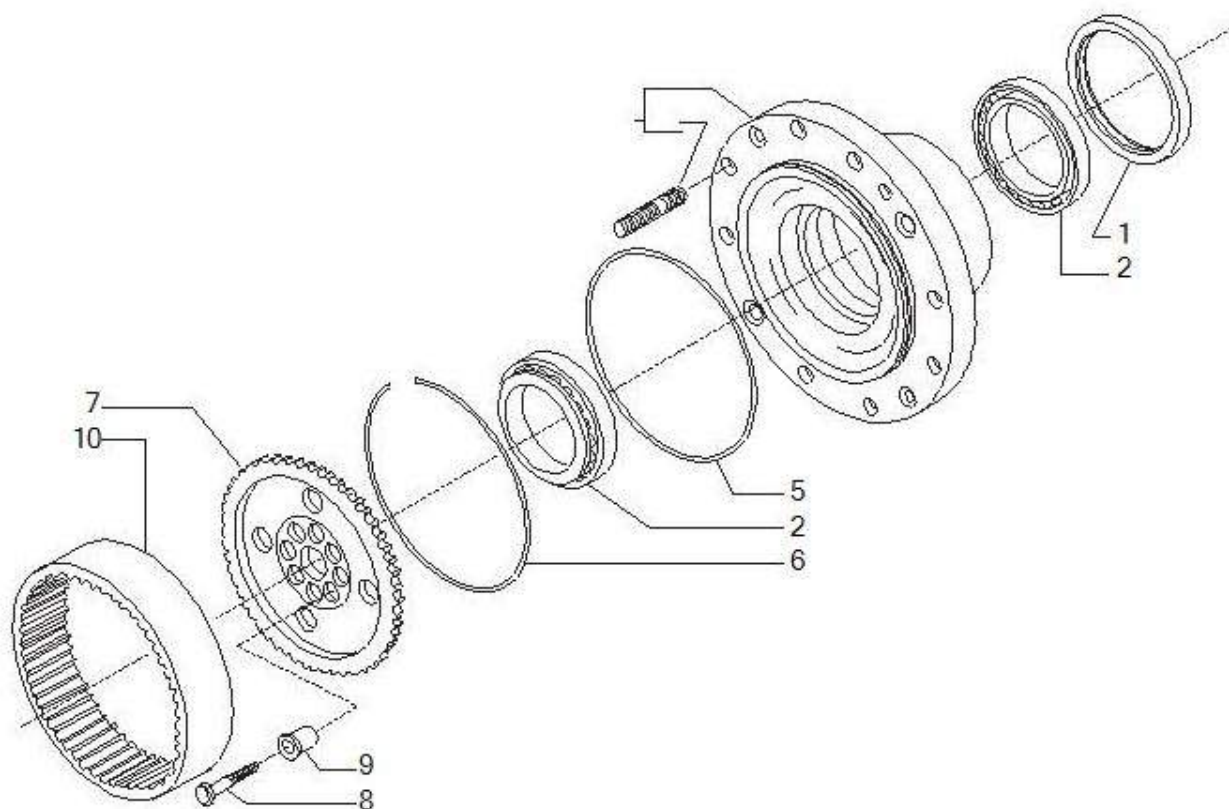
Pos	Ref	Qty	Description	Kit	Note
1	66318	1	Differential kit		
2	134002	1	RH SLEEVE		
3	28270	8	Ball D10		
4	134001	1	DIFFERENTIAL SPIDER		
5	115731	1	DIFF.PLANET.GEAR PIN L130 D22		
6	115730	4	SPHERICAL WASHER washer 22.1X42X1.5 -		
7	70273	3	PARALLEL PIN 7X65 TRAT. C40		
8	133155	2	DIFF.PLANET.GEAR PIN L53 D22		
9	134003	1	DISC TOW SLEEVE		
10	113880	10	COUNTERPLATE BLOCC.DIFF.		
11	113879	8	DISC BLOCC.DIFF.-FRICTION DISC		
12	133150	1	DIFFERENTIAL HOUSING (011399)		
13	128440	2	SELF-LOCKING SCREW M6X10 10.9 10.9 UNI E		
14	136024	2	LOCK PLATE		
15	107400	2	RING NUT M94X2 MP IF FN 0205 R (16988)		
16	27256	2	TAPE ROLLER THRUST BEARING 90X55X23		
17	133151	1	DIFFERENTIAL HOUSING COVER (11400)		
18	127921	12	SCREW		



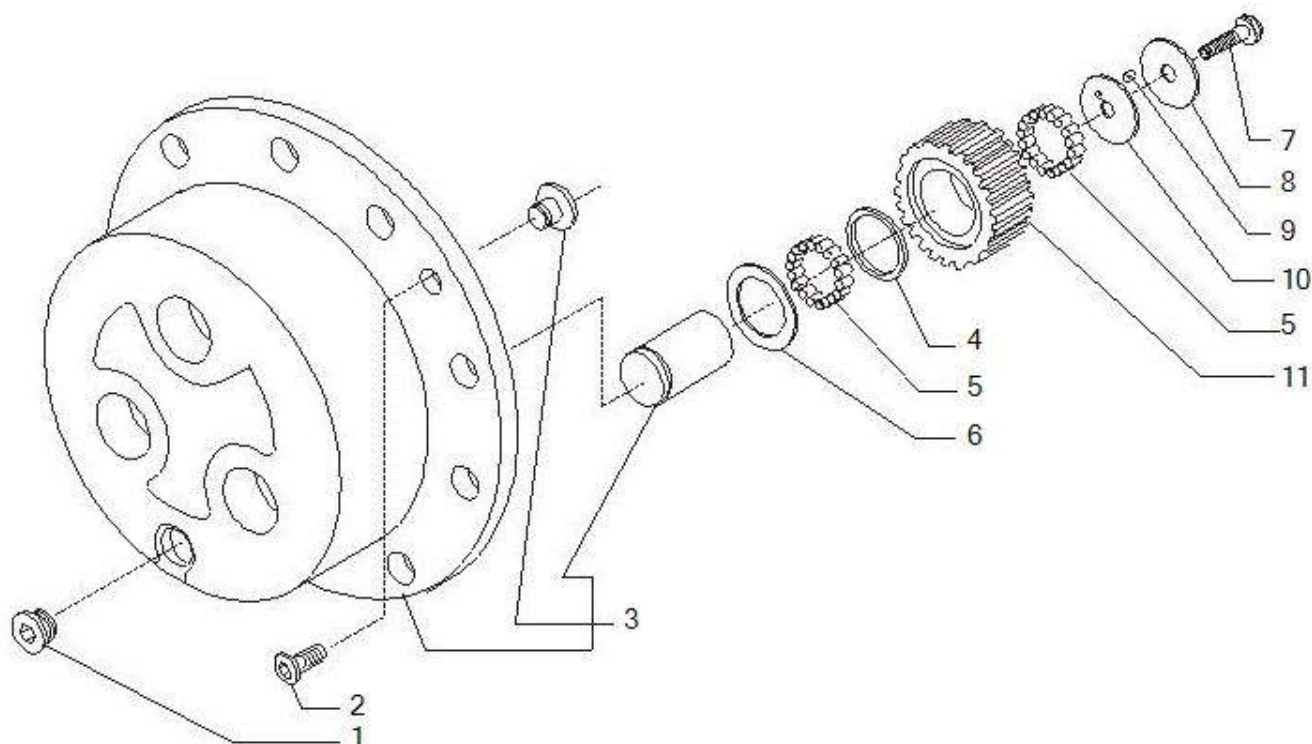
Pos	Ref	Qty	Description	Kit	Note
1	147360	2	DOUBLE U-JOINT B320 55 DVP (208 Z13 M3)		
2	46171	4	Forche (côte différentiel)		
3	46222	32	Lockring		
4	46221	8	SPIDER 0.110.018.0015		
5	46220	4	Central body		
6	44156	4	FORCELLA LR 1.409.387.047		
7	145553	2	FIFTH WHEEL 47X58X5		
8	146945	2	TOOTHED WASHER 47X54X7		
9	147349	2	RING 41.5X3 FILO 3 B DIN 2076 B F3		
10	27829	2	NEEDLE CAGE HK 4020		
11	25184	4	SEAL RING DIN 3760 A 40X52X7 BA		
12	139936	2	HEX SOCKET HEAD CAP SCREW M12X1.25X40 12		
13	22126	2	HEXAGON NUT UNI 5589 M12X		
14	139500	2	AXLE SHAFT PROTECTION		
15	21535	2	SLOTTED SET SCREW UNI 59		
16	139603	2	BUSHING 68X75X20		
17	28795	2	BALL BEARING 61910 DIN 62		
18	24805	2	Snap ring		
19	24916	2	CIRCLIP DIN472 75		
20	25246	4	SEAL RING DIN 3760 A 55X70X8 BA		
21	141900	2	DOUBLE U-JOINT B320 SV		
22	46174	2	Forche (côte roue)		
24	46221	2	SPIDER 0.110.018.0015		
25	46173	2	Forche		
26	24795	2	Snap ring D40		



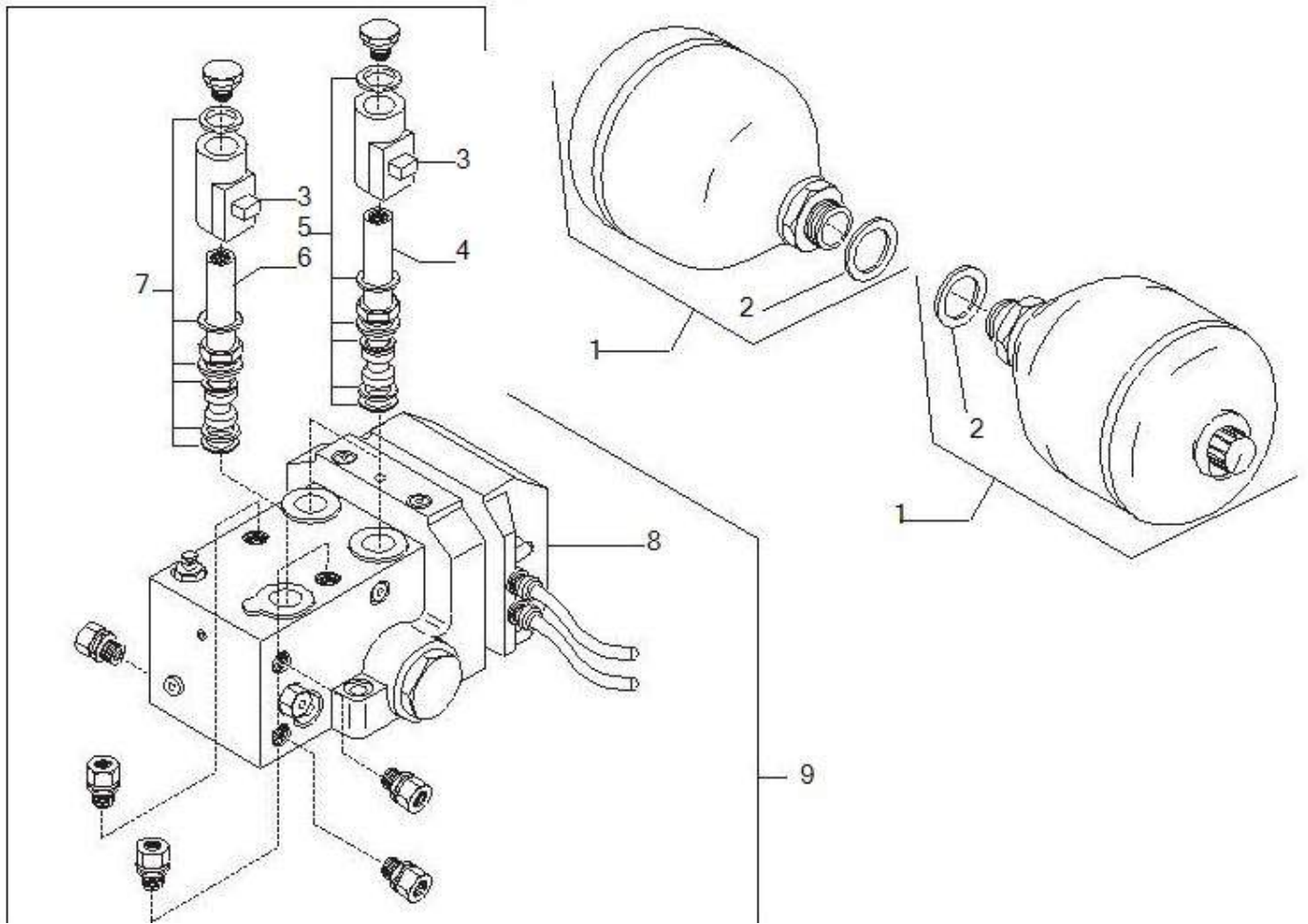
Pos	Ref	Qty	Description	Kit	Note
27	24921	2	CIRCLIP		
28	25809	2	Bearing		
29	141901	2	CENTERING BUSH		
30	28184	2	O-RING 3350 2-153 88.57x2.62		
31	132742	2	CASSETTE RAD.SHAFT SEALX/		



Pos	Ref	Qty	Description	Kit	Note
1	47702	2	SEAL RING 150-180-14 5/16		
2	45180	4	TAPE ROLLER THRUST BEARING 158.75X109.53		
3	117928	10	STUD R22X2.5 - D20X1.5 - L80 10.9		
4	68159	2	Wheel hub kit		
5	28579	2	O-RING 41000 2-274 253.59x3.53 -		
6	125233	2	CIRCLIP 238.9X16X3.5 FILO B 3.5 UNI 382		
7	139633	2	EPIC. WHEEL CARRIER HUB (13057)		
8	119906	16	SELF-LOCKING SCREW M14X1.5X65 10.9 ACCIA		
9	125190	16	CENTERING BUSH		
10	125186	2	EPICYCLOIDAL RING GEAR Z77 (16768)		



Pos	Ref	Qty	Description	Kit	Note
1	125280	2	MAGNETIC PLUG M30X2		
2	20490	4	COUNTERSUNK HEAD SCREW UN		
3	66570	2	PLANETARY CARRIER KIT		
4	138778	6	FIFTH WHEEL 52X45.2X2		
5	28301	37.20	NEEDLE 5x19.8 (TENS OF 117874)		
6	138689	6	FIFTH WHEEL 44.7X65X1.5		
7	125229	6	SELF-LOCKING SCREW M10X1.25X50 10.9 ACCI		
8	138691	6	WASHER 11X65X3		
9	28370	0.60	CYLINDRICAL ROLLER 5x10 (TENS OF 134350)		
10	138690	6	WASHER 11X65X3		
11	138736	6	EPIC.PLANETARY GEAR Z31 M3 L53		



Pos	Ref	Qty	Description	Kit	Note
1	141264	2	HYDRAULIC ACCUMULATOR SOSP. + TENUTA		
2	46047	2	Seal		
3	46041	3	Solenoid		
4	46043	2	Valve		
5	46045	2	Seals kit		
6	46044	1	Valve		
7	46046	1	Seals kit		
8	46053	1	Electronic control unit		
9	143961	1	Suspension control set		