

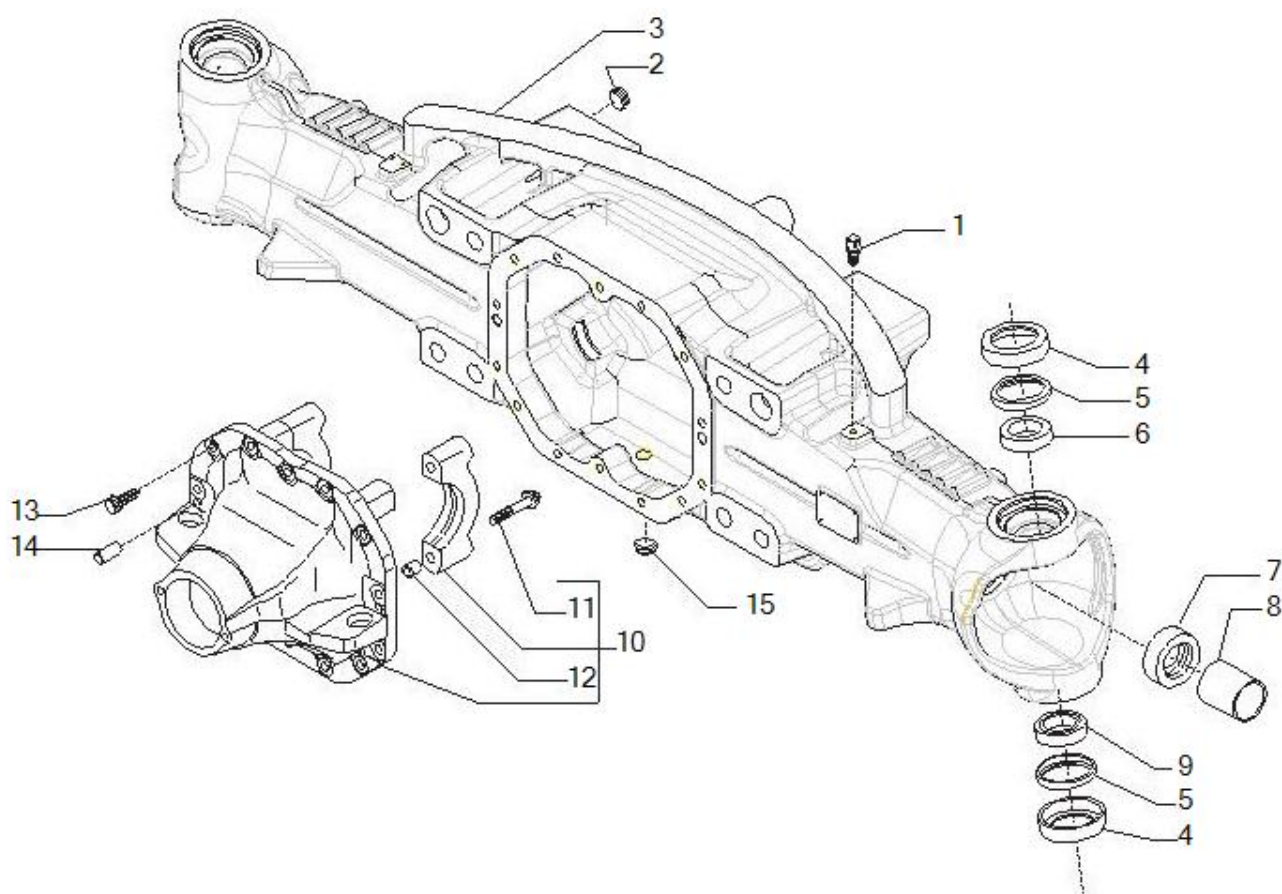


Spare parts catalogue

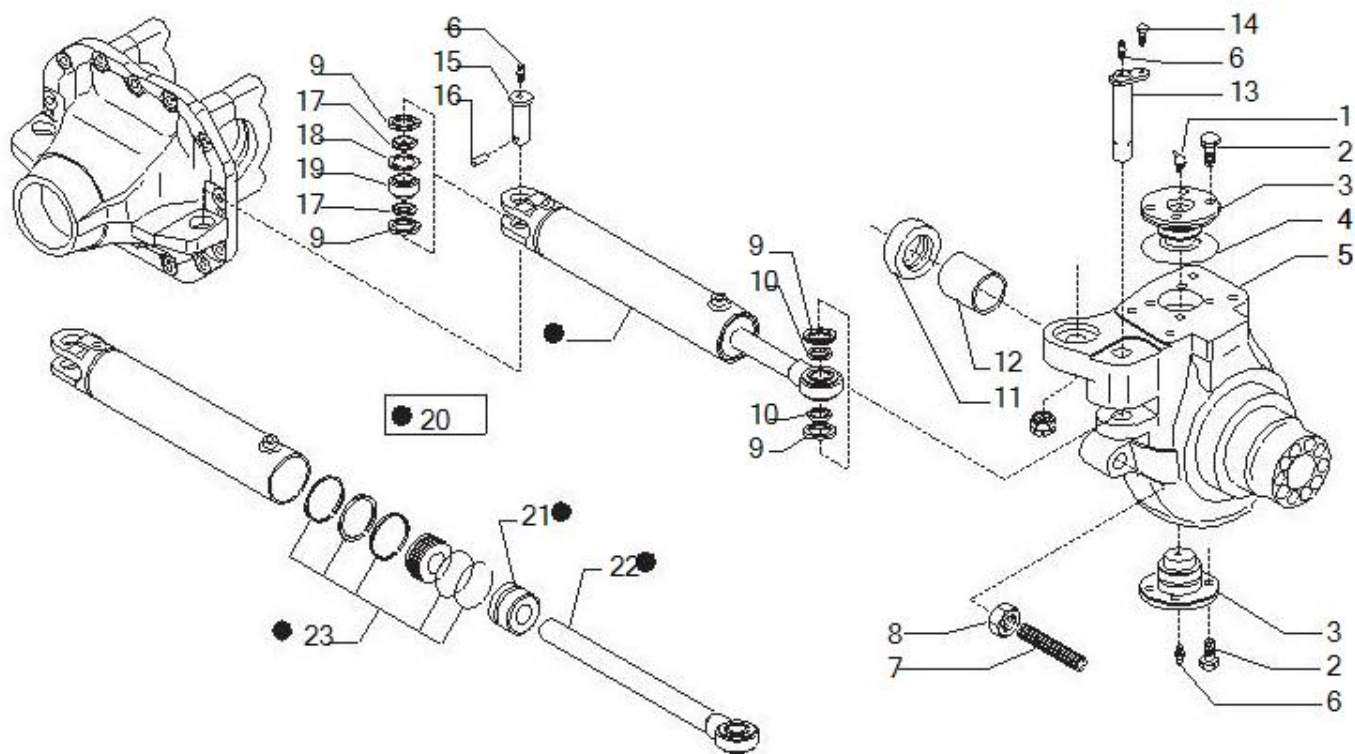
AXLE 20.80 SS_(CM8109)

REF: 145007

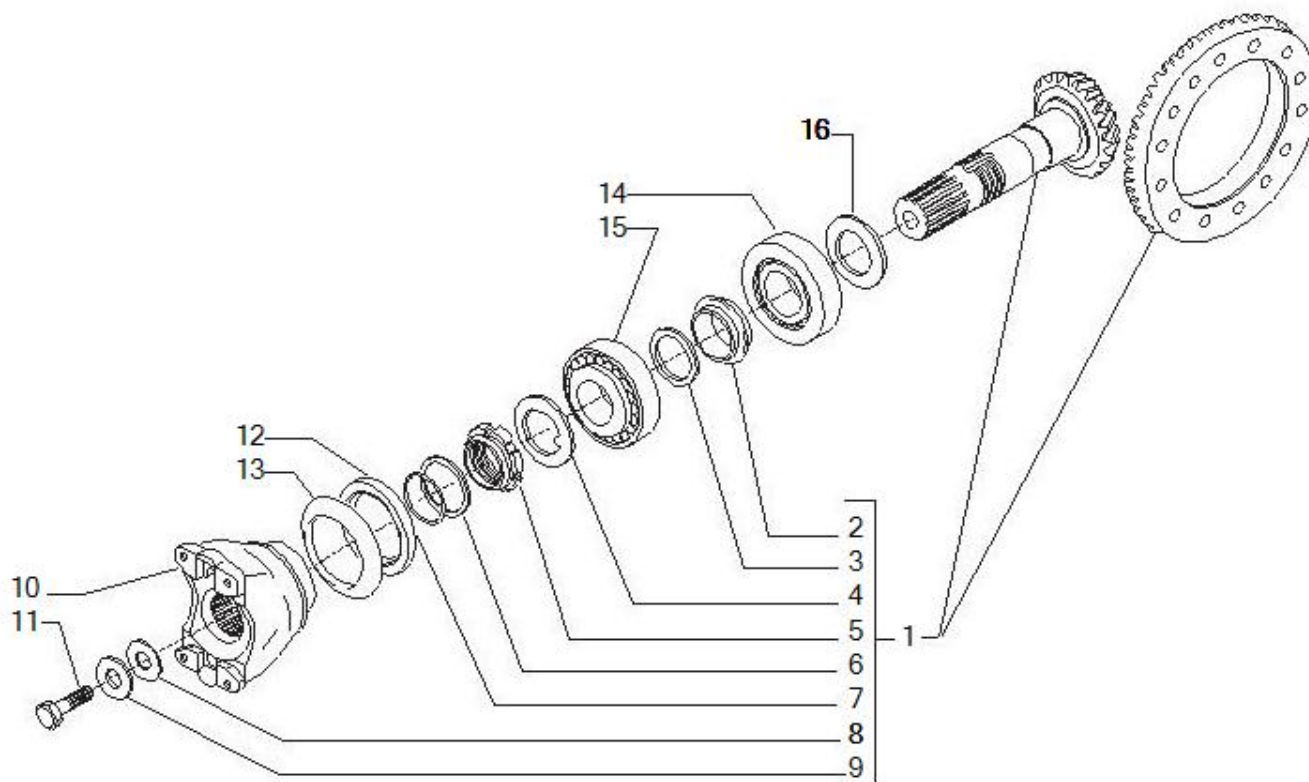
- 1.1 Axle housing**
- 2.1 Swivel housings and steering cylinder**
- 3.1 Bevel gear set**
- 4.1 Differential**
- 5.1 Double U-joint**
- 6.1 Wheel hub and final reduction**



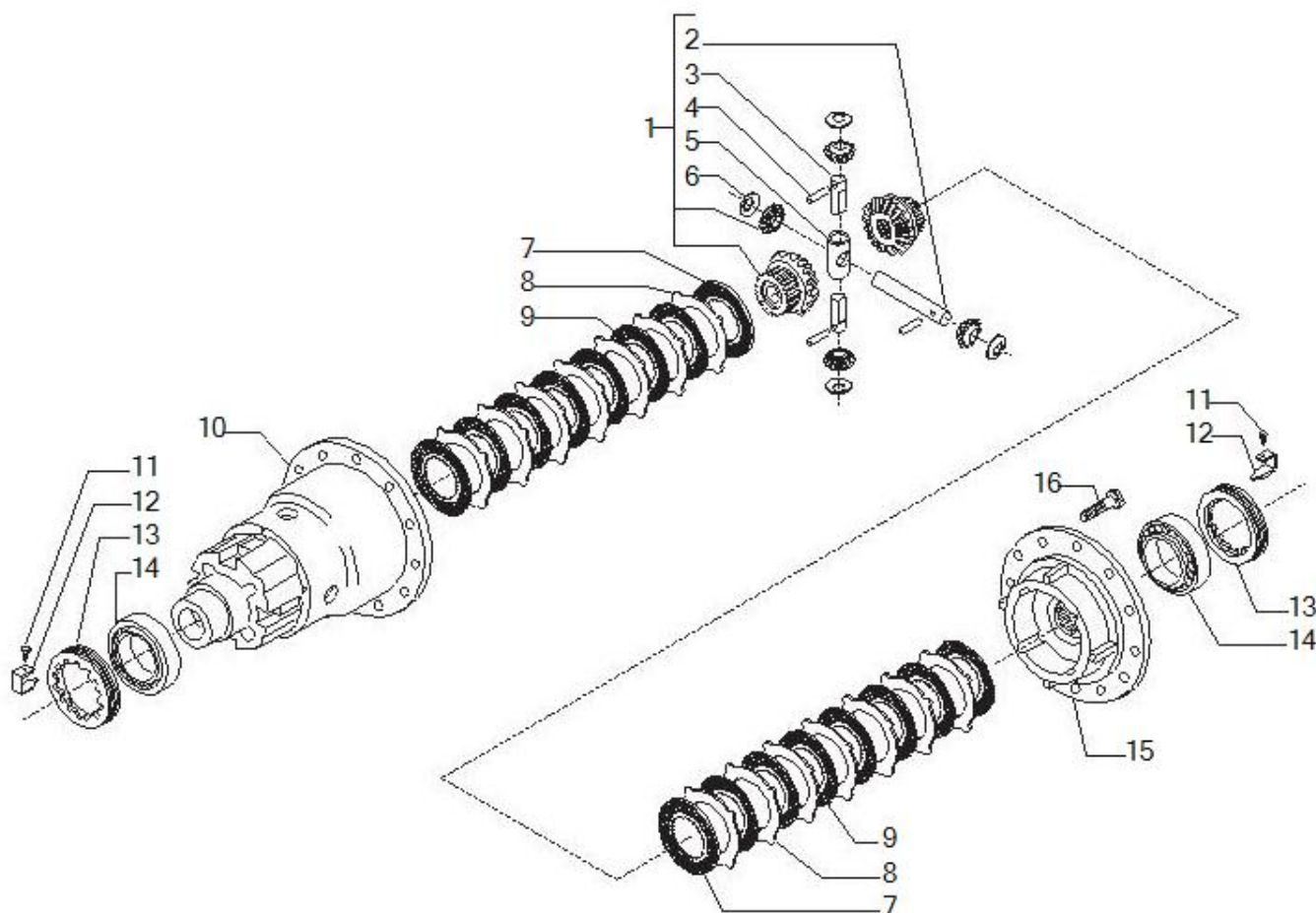
Pos	Ref	Qty	Description	Kit	Note
1	104988	1	BREATHER M10X1		
2	128050	1	TAPERED PLUG M24X1.5 5.8		
3	140253	1	BEAM		
4	134034	4	PLUG D92X13 FePO2		
5	25125	4	Lip seal		
6	125047	2	BUSHING 45.14X75		
7	140499	2	RING SF6 48X74X18.5		
8	123653	2	BUSHING AB C 48-53-58P		
9	27694	2	Lagersheibe		
10	140412	1	DIFF. SUPPORT (011931)		
11	126064	4	HEXAGON SERRATED FLANGE BOLT M16X2X95		
12	94205	4	Centering bush		
13	125828	14	HEX HEAD FLANGE SCREW M14X2X40 GRIP		
14	87660	2	PARALLEL PIN 15X35		
15	92270	1	Oil plug M22x1,5		



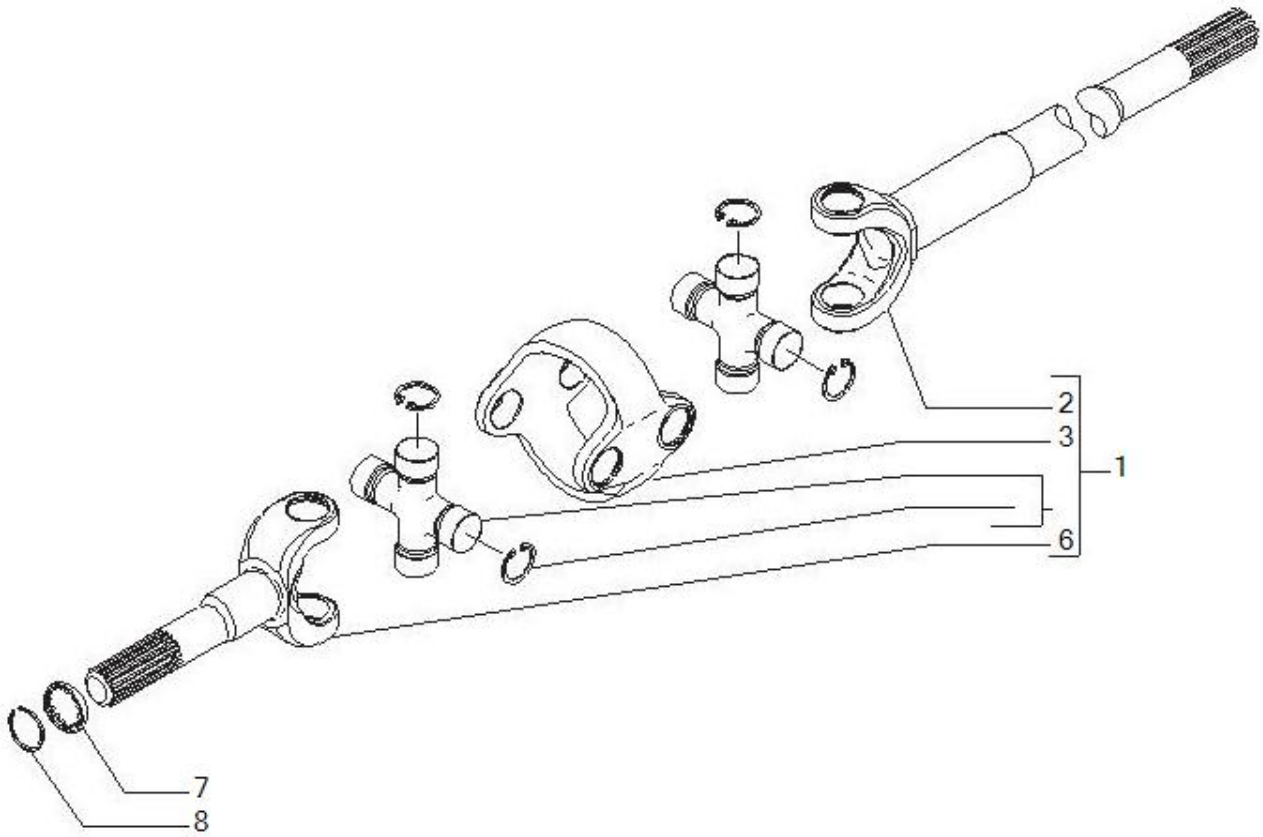
Pos	Ref	Qty	Description	Kit	Note
	49286	2	Seal kit	141978	
1	24261	2	LUBRIFICATING NIPPLES M10x1 con.CH11 Acc.		
2	126923	12	SELF-LOCKING SCREW M16X2X38 10.9 ACCIAIO		
3	140245	4	SWIVEL HOUSING KING PIN (13051)		
5	140240	1	SWIVEL HOUSING RH (011898)		
5	140241	1	SWIVEL HOUSING LH (011899)		
6	24260	6	LUBRIFICATING NIPPLES M10x1 con.x18 CH11		
7	141977	2	SCREW M27X3X150 10.9 MAT202 CARRARO STD		
8	22191	2	Nut M27		
9	140527	8	SEAL RING 55X42X4.5 /6		
10	140528	4	SPACER 42X30.2X5.5		
11	139102	2	SEAL RING SF6 65X92X18		
12	119908	2	BUSHING 65X69X50 AB C P		
13	140526	2	PIN COMPL.		
14	20851	2	Bolt M10x25		
15	141979	2	PIN 30X80		
16	24488	2	Goupille 8x26		
17	140801	4	SPACER 42X30.2X7		
18	25512	2	Lockring		
19	28802	2	Spherical joint		
20	141978	2	STEERING CYLINDER 65-28-277		
21	49288	4	CYLINDER HEAD 184410261	141978	
22	49287	4	STEM 333430020	141978	



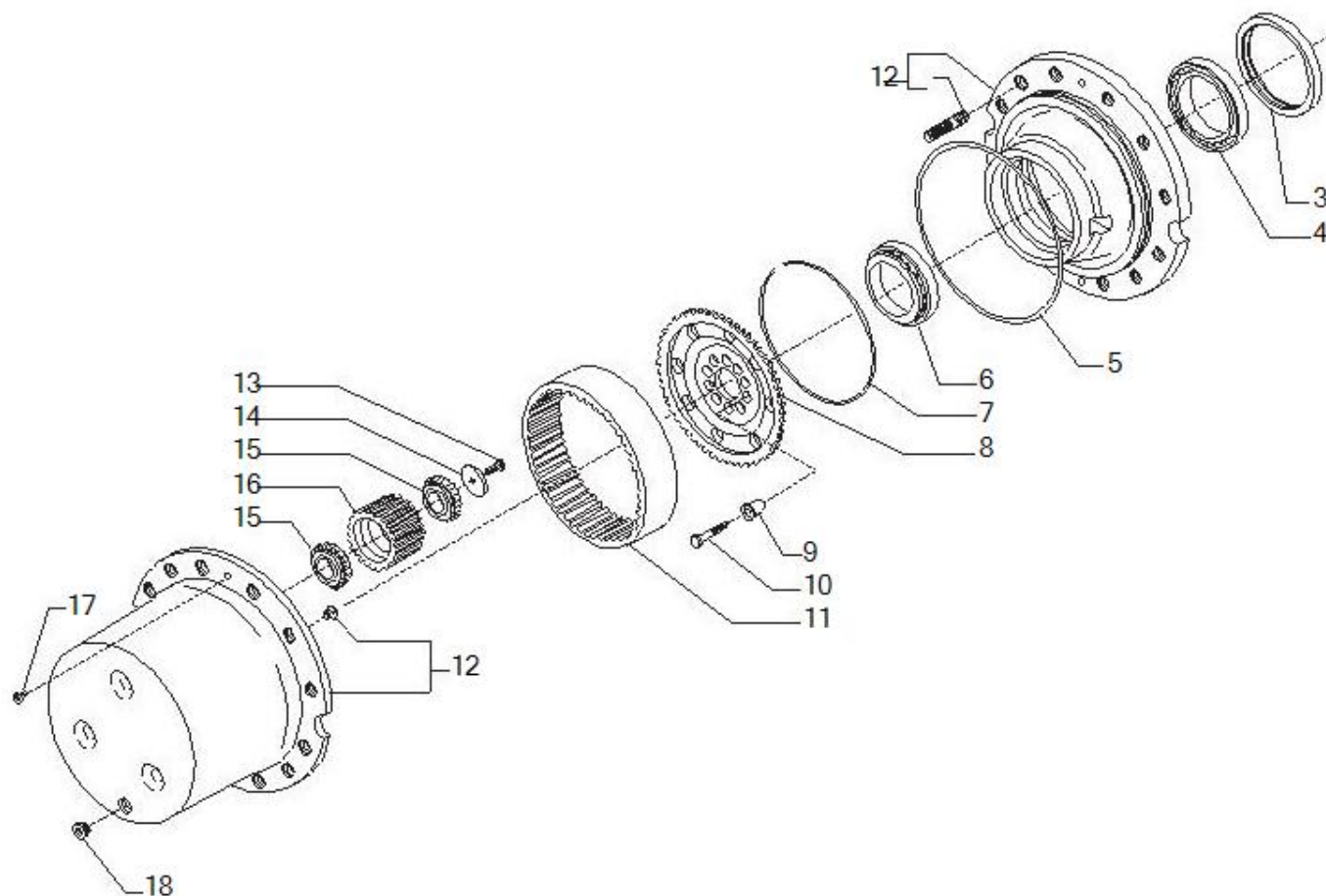
Pos	Ref	Qty	Description	Kit	Note
1	66815	1	Bevel gear set Z12/37		
2	125808	1	ELASTIC SPACER 50X47X22.2	66815	
3	125831	1	SHIM 55X45.5X2	66815	
4	125545	1	RING NUT STOP	66815	
5	117140	1	RING NUT M45X1.5 ACCIAIO 8.8 UNI 3740-74	66815	
6	140185	1	WASHER Washer 40X51X3 C70 40.5-47 HRC	66815	
7	28521	1	O-RING 3156 2-129 39.34x2.62	66815	
8	123915	1	SHIM 34X12.5X0.05	66815	
8	123916	1	SHIM 34X12.5X0.1	66815	
8	123917	1	SHIM 34X12.5X0.2	66815	
9	123921	1	WASHER 12.5X44X5	66815	
10	140135	1	PM FLANGE END YOKE 1410		
11	123918	1	SELF-LOCKING SCREW M12X1.25X25 10.9		
12	132193	1	SEAL RING 65X105X14 BA VISLDRWX67		
13	132208	1	COVER		
14	27353	1	Bearing		
15	27351	1	Bearing		



Pos	Ref	Qty	Description	Kit	Note
1	66816	1	Differential kit		
2	140222	1	DIFF.PLANET.GEAR PIN L169 D25	66816	
3	140220	2	DIFF.PLANET.GEAR PIN L72 D25	66816	
4	70273	3	PARALLEL PIN 7X65 TRAT. C40	66816	
5	140221	1	DIFFERENTIAL SPIDER	66816	
6	117171	4	SPHERICAL WASHER 25.22X60	66816	
7	140212	2	DISC Diff. locking LD3112114		
8	140214	14	COUNTERPLATE Diff. locking SP1.3 LD22121		
9	140213	12	DISC Diff. locking LD3112113		
10	140196	1	DIFFERENTIAL HOUSING		
11	128440	2	SELF-LOCKING SCREW M6X10 10.9		
12	140658	2	RING NUT STOP		
13	140524	2	RING NUT (011959) M114X2		
14	27343	2	Tapered bearing		
15	140195	1	DIFFERENTIAL HOUSING COVER (011889)		
16	127925	14	SELF-LOCKING SCREW M14X2X40 10.9		



Pos	Ref	Qty	Description	Kit	Note
1	140136	2	DOUBLE U-JOINT B340 55g DV0.412.300.195		
2	49291	2	Fork (diff. side)	140136	B
3	49289	2	Central body	140136	B
4	49292	4	Spider	140136	B
6	49290	2	Fork (wheel side)	140136	B
7	140553	2	THRUST WASHER 53X68.5X12 20MnCr5 256-268		
8	140554	2	RING F4-53.8-S4		



Pos	Ref	Qty	Description	Kit	Note
1	66817	2	Wheel hub kit		
2	144045	48	STUD R22x2.5 - D22x1.5 - L96 - 10.9	66817	
3	140497	2	CASSETTE RAD.SHAFT SEALX/		
4	140498	2	TAPE ROLLER THRUST BEARING 195X140X32 NP		
5	28565	2	O-RING 41300 2-279 329.8x3.53 NITRILICO		
6	45909	2	TAPE ROLLER THRUST BEARING JP13049A/JP13		
7	138650	2	CIRCLIP F3.5 D311 S25		
8	140500	2	EPIC. WHEEL CARRIER HUB (17969)		
9	138701	20	CENTERING BUSH		
10	119906	20	SELF-LOCKING SCREW M14X1.5X65 10.9		
11	138314	2	EPICYCLOIDAL RING GEAR		
12	66818	2	Planetary carrier assy		
13	127922	12	SELF-LOCKING SCREW M10X25 10.9 UNI EN 20		
14	138565	6	THRUST SHOE		
15	138311	12	TAPE ROLLER THRUST BEARING		
16	138312	6	EPIC.PLANETARY GEAR Z29 M4.175 L65		
17	20496	4	Bolt M10x25		
18	125280	2	MAGNETIC PLUG M30X2		